

## PERFORMANCE SPECIFICATIONS

Supply Current: 1.5mA

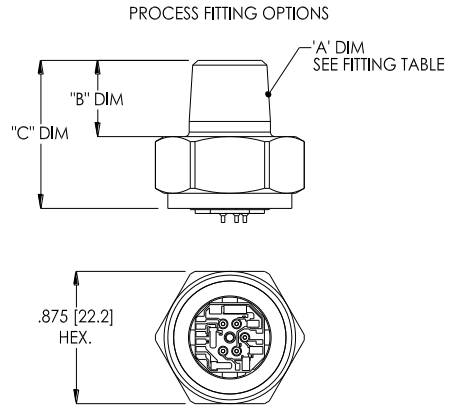
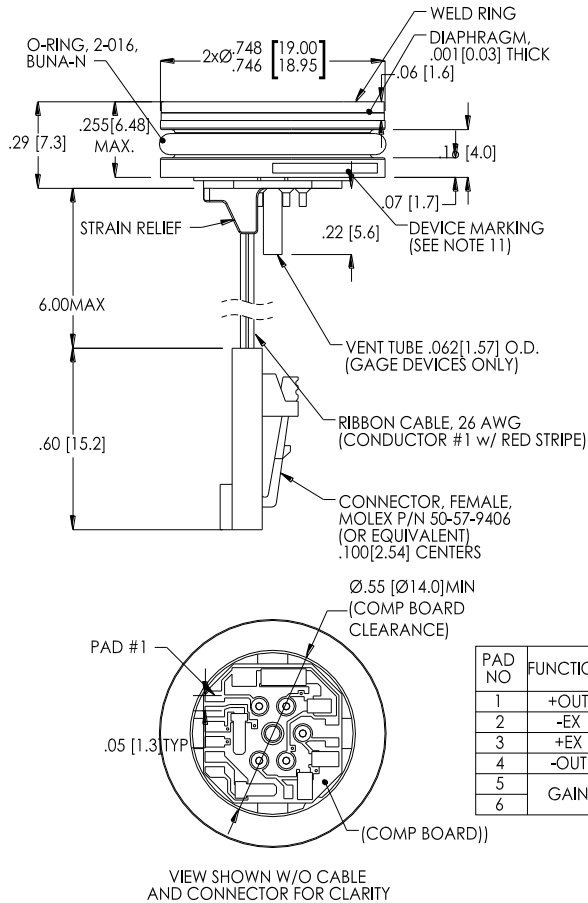
Ambient Temperature: 25°C (unless otherwise specified)

PARAMETERS	001PSI			005PSI			≥015PSI			UNITS	NOTES
	MIN	TYP	MAX	MIN	TYP	MAX	MIN	TYP	MAX		
Span	50	100	150	50	100	150	75	100	150	mV	1
Zero Pressure Output	-2	0	2	-2	0	2	-1	0	1	mV	
Pressure Non Linearity	-0.3		0.3	-0.2		+0.2	-0.1		0.1	%Span	2
Pressure Hysteresis	-0.10	±0.02	0.10	-0.10	±0.02	0.10	-0.05	±0.02	0.05	%Span	
Repeatability		±0.02			±0.02			±0.02		%Span	
Input Resistance	2.5	5.0	6.5	2.5	5.0	6.5	3.8		5.8	KΩ	
Output Resistance	4.0		7.0	4.0		7.0	4.0		6.0	KΩ	
Thermal Hysteresis – Span	-0.25	±0.05	0.25	-0.25	±0.05	0.25	-0.25	±0.05	+0.25	%Span	3
Thermal Hysteresis – Offset	-0.25	±0.05	0.25	-0.25	±0.05	0.25	-0.25	±0.05	+0.25	%Span	3
Temperature Error – Span	-1.0		1.0	-1.0		1.0	-0.75		0.75	%Span	3
Temperature Error – Offset	-1.0		1.0	-1.0		1.0	-0.5		0.5	%Span	3, 9
Long Term Stability – Span		±0.10			±0.10			±0.10		%Span	4
Long Term Stability – Offset		±0.25			±0.25			±0.10		%Span	4
Supply Current	0.5	1.5	2.0	0.5	1.5	2.0	0.5	1.5	2.0	mA	
Insulation Resistance (50Vdc)	50			50			50			MΩ	5
Output Noise (10Hz to 1KHz)		1			1			1		uV p-p	
Response Time (10% to 90%)		0.1			0.1			0.1		ms	
Pressure Overload			10x			3x			3x	Rated	6
Pressure Burst			12x			4x			4x	Rated	
Operating Temperature	-20		+70	-20		+70	-40		+125	°C	
Compensated Temperature	0		+50	0		+70	-20		+85	°C	
Storage Temperature	-50		+125	-50		+125	-50		+125	°C	7
Media – Pressure Port	Liquids and Gases compatible with 316L Stainless Steel and Buna-N										8
Media – Reference Port	Compatible with Silicon, Pyrex, Gold, Fluorosilicone RTV and 316L Stainless Steel										

## Notes

1. Ratiometric to supply current.
2. Best fit straight line.
3. Maximum temperature error within the compensated temperature range with respect to 25°C.
4. Long term stability over a one year period with constant current and temperature.
5. Minimum resistance between case and pins.
6. 10 psi maximum for 1 psi devices.
7. Maximum temperature range for product with standard cable and connector is -20°C to +105°C.
8. Gage units not recommended for high vacuum applications. For high vacuum applications consult factory.
9. Temperature Error – Offset for 15psi is -0.75 to 0.75 and >15psi is -0.5 to 0.5.

## DIMENSIONS



FITTING TABLE				
FITTING TYPE	MEMS P/N	'A' DIM	'B' DIM	'C' DIM
1	IC-7152	1/4-18 NPT	.50 [12.7]	.98 [24.9]
2	IC-D00510	1/8-27 NPT	.47 [11.9]	.95 [24.1]
3	IC-D00511	7/16-20 UNF	.33 [8.4]	.80 [20.3]
9	IC-D00512	1/4-19 BSP	.45 [11.4]	.93 [23.3]

NOTE: FITTING TYPE '1' ASSEMBLY SHOWN  
ALL DIMS ARE FOR REFERENCE.

DIMENSIONS ARE IN INCHES [mm]

## CONNECTIONS

