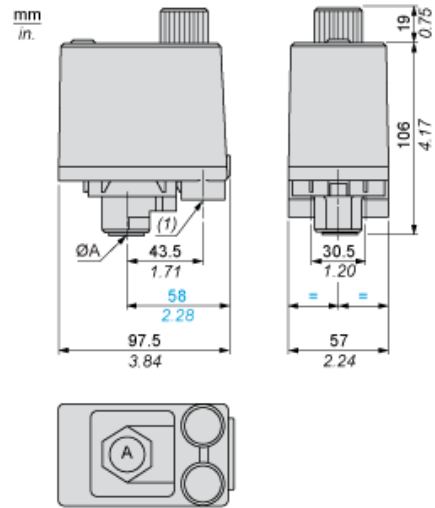


Dimensions

Without Decompression Valve

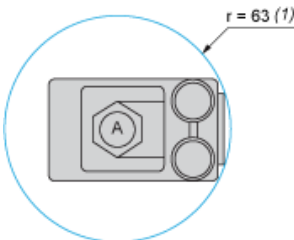


ØA = G 1/4  
(1) 2 tapped entries for Pg 13.5

---

Minimum Mounting Clearance

---



ØA = G1/4  
(1) Minimum clearance zone for screwing-on pressure switch at point A