

Capacitive Sensors

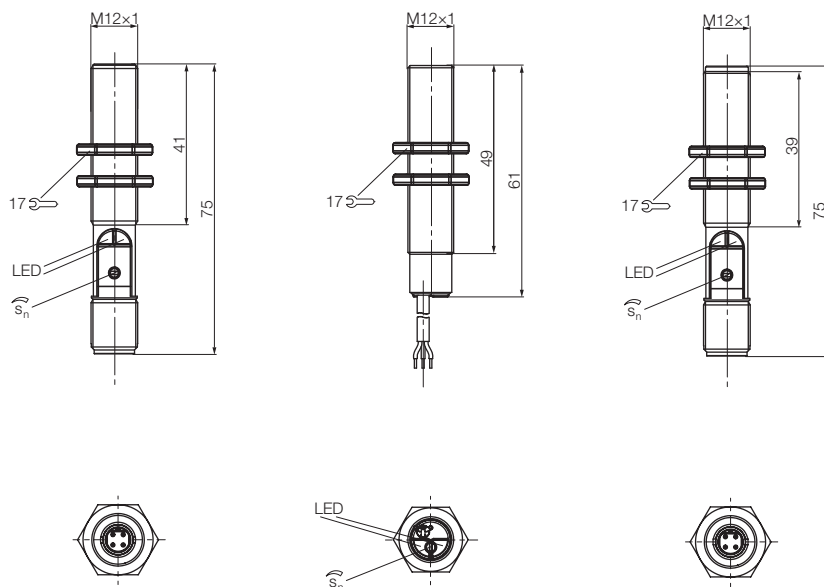
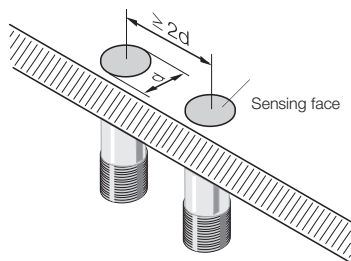
Object detection



Size	M12x1	M12x1	M12x1
Mounting	Flush	Flush	Flush
Rated switching distance s_n	1...4 mm	1...4 mm	1...4 mm
PNP NO	Ordering code Part number BCS00P0 BCS M12B4G2-PSC04D-S04K	Ordering code Part number BCS00K9 BCS M12B4I1-PSC04D-EP02	Ordering code Part number BCS00PJ BCS M12BBG2-PSC04D-S04K
PNP NC	Ordering code Part number BCS00P1 BCS M12B4G2-POC04D-S04K	Ordering code Part number BCS00P8 BCS M12B4I1-POC04D-EP02	Ordering code Part number BCS00PK BCS M12BBG2-POC04D-S04K
NPN NO	Ordering code Part number BCS00P2 BCS M12B4G2-NSC04D-S04K	Ordering code Part number BCS00P9 BCS M12B4I1-NSC04D-EP02	Ordering code Part number BCS00PL BCS M12BBG2-NSC04D-S04K
NPN NC	Ordering code Part number BCS00P3 BCS M12B4G2-NOC04D-S04K	Ordering code Part number BCS00PA BCS M12B4I1-NOC04D-EP02	Ordering code Part number BCS00PM BCS M12BBG2-NOC04D-S04K
Material	Housing	V2A	PBT
	Sensing face	PBT	PBT
	Cover	PA 12/PBT	PA 12
Connection	M12 connector, 4-pin, A-coded	2 m cable PUR, 3x0.34 mm ²	M12 connector, 4-pin, A-coded

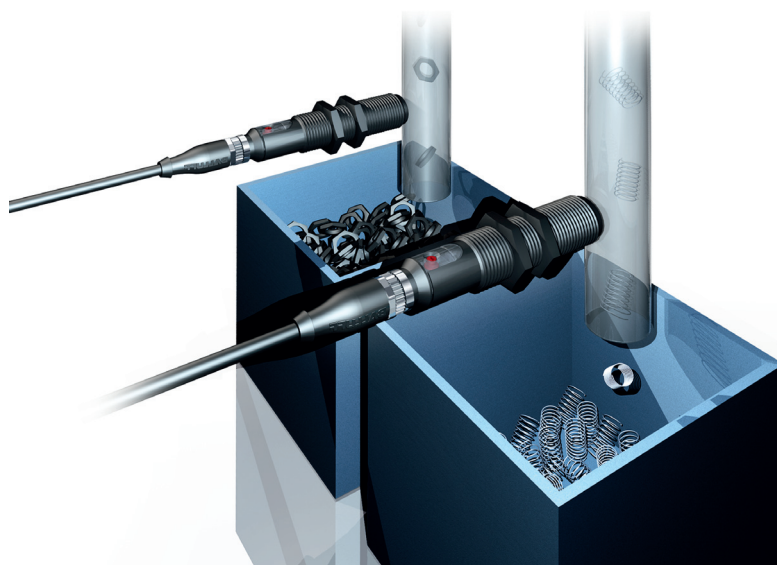
Flush-mount (shielded) proximity switches

... can be installed with their sensing faces flush to the metal. The distance between two proximity switches (in row mounting) must be $\geq 2d$.



- Further enhanced EMC protection
- All sensors available in plastic or V2A housing
- M12 plug and cable variants
- Easily accessible potentiometer for adaptation to the application
- Flush, also in completely plastic housing

The new capacitive sensors for object detection combine versatility with maximum EMC protection. The complete series incorporates M12, M18 and M30 variants in a plastic and stainless steel housing. All devices are easily adapted to the relevant application using a potentiometer. The flush switching characteristics enable large switching distances, even when detecting plastic components.





M12x1	M18x1	M18x1	M18x1	M18x1
Flush	Flush	Flush	Flush	Flush
1...4 mm	2...8 mm	2...8 mm	2...8 mm	2...8 mm
BCS00PU	BCS00MF	BCS00LK	BCS00M8	BCS00NZ
BCS M12BB11-PSC04D-EP02	BCS M18B4I3-PSC80D-S04K	BCS M18B4N1-PSC80D-EP02	BCS M18BBI3-PSC80D-S04K	BCS M18BBN1-PSC80D-EP02
BCS00PW	BCS00M4	BCS00LR	BCS00MH	BCS00M1
BCS M12BB11-POC04D-EP02	BCS M18B4I3-POC80D-S04K	BCS M18B4N1-POC80D-EP02	BCS M18BBI3-POC80D-S04K	BCS M18BBN1-POC80D-EP02
BCS00PY	BCS00M5	BCS00LN	BCS00MJ	BCS00M2
BCS M12BB11-NSC04D-EP02	BCS M18B4I3-NSC80D-S04K	BCS M18B4N1-NSC80D-EP02	BCS M18BBI3-NSC80D-S04K	BCS M18BBN1-NSC80D-EP02
BCS00PZ	BCS00M6	BCS00LP	BCS00MK	BCS00M3
BCS M12BB11-NOC04D-EP02	BCS M18B4I3-NOC80D-S04K	BCS M18B4N1-NOC80D-EP02	BCS M18BBI3-NOC80D-S04K	BCS M18BBN1-NOC80D-EP02
PBT	V2A	V2A	PBT	PBT
PBT	PBT	PBT	PBT	PBT
PA 12	PA 12/PBT	PA 12	PA 12/PBT	PA 12
2 m cable PUR, 3x0.34 mm ²	M12 connector, 4-pin, A-coded	2 m cable PUR, 3x0.34 mm ²	M12 connector, 4-pin, A-coded	2 m cable PUR, 3x0.34 mm ²

