

Figure 3. Si1147-M01 Module Application Schematic for Long-Range Proximity Detection

Note: For more application examples, refer to “AN498: Si114x Designer’s Guide”.

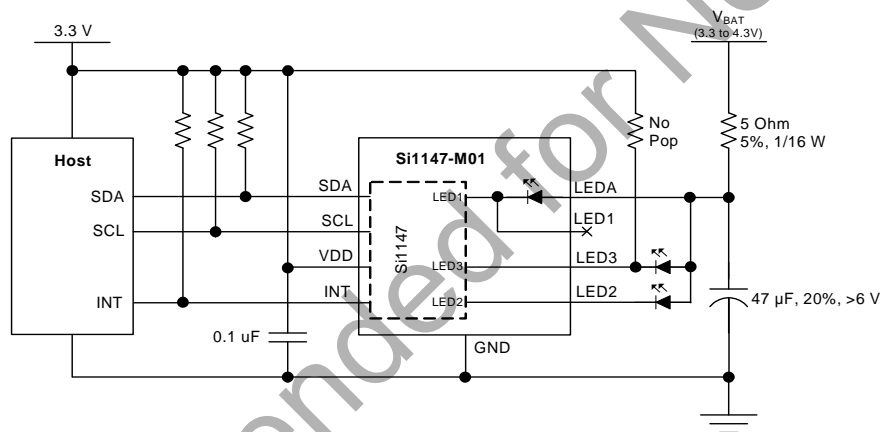


Figure 4. Si1147-M01 Module Application Schematic with Three LEDs and Separate LED Power Supply

Si1145/46/47-M01

TABLE OF CONTENTS

<u>Section</u>	<u>Page</u>
1. Electrical Specifications	5
1.1. Performance Tables	5
1.2. Typical Performance Graphs	12
2. Functional Description	15
2.1. Introduction	15
2.2. Proximity Sensing (PS)	15
2.3. Ambient Light	16
2.4. Ultraviolet (UV) Index	18
2.5. Host Interface	20
3. Operational Modes	22
3.1. Off Mode	22
3.2. Initialization Mode	22
3.3. Standby Mode	22
3.4. Forced Conversion Mode	23
3.5. Autonomous Operation Mode	23
4. Programming Guide	24
4.1. Command and Response Structure	24
4.2. Command Protocol	25
4.3. Resource Summary	28
4.4. Signal Path Software Model	32
4.5. I2C Registers	33
4.6. Parameter RAM	48
5. Pin Descriptions	62
6. Ordering Guide	63
7. Package Outline: 10-Pin QFN	64
8. Suggested PCB Land Pattern	66
9. Top Markings	67
9.1. Si1145-M01-GMR Top Marking	67
9.2. Si1146-M01-GMR Top Marking	67
9.3. Si1147-M01-GMR Top Marking	67
9.4. Top Marking Explanation	68
Document Change List	69
Contact Information	70