

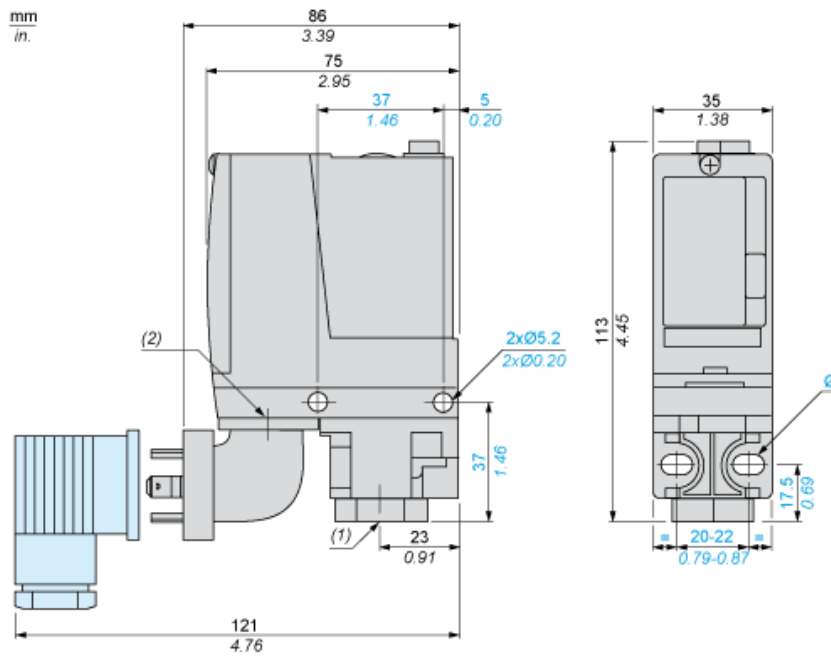
## Contractual warranty

---

Warranty period	18 months
-----------------	-----------

---

Dimensions



- (1) 1 fluid entry, tapped G1/4 (BSP female)  
(2) EN 175301-803-A connector  
Ø : 2 elongated holes Ø 5.2 x 6.7