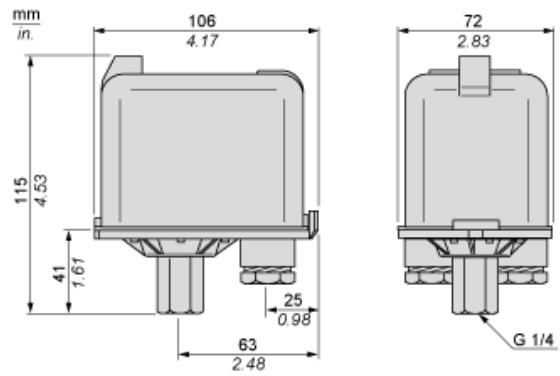


Dimensions



Wiring Diagram

Connections

