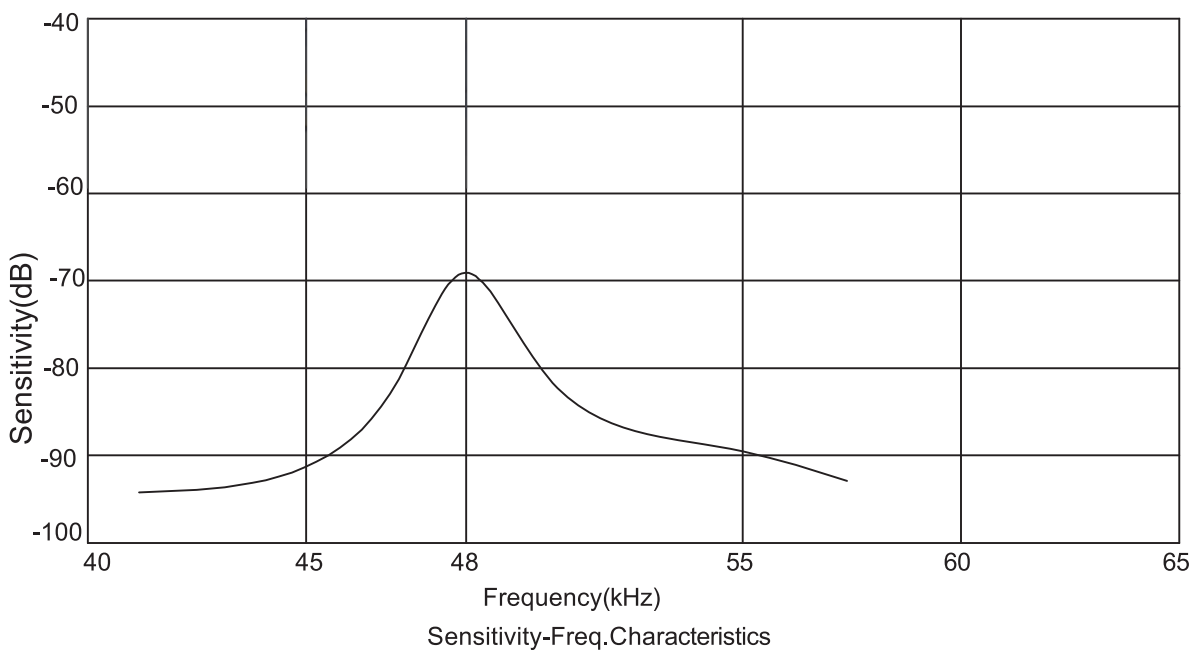
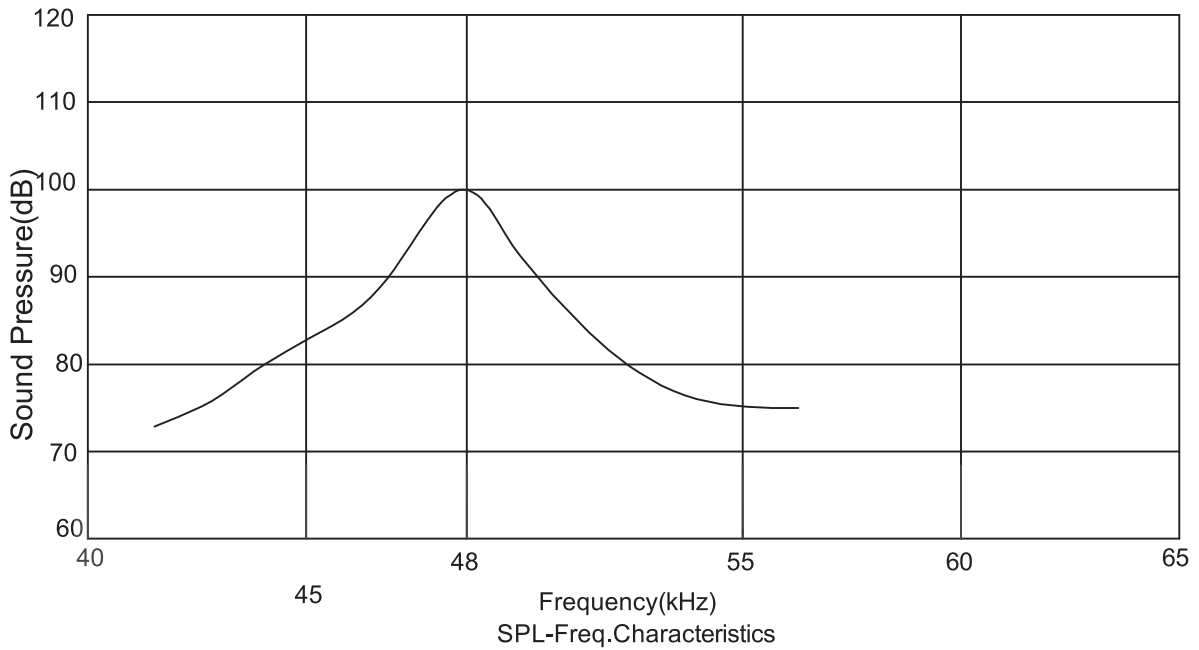
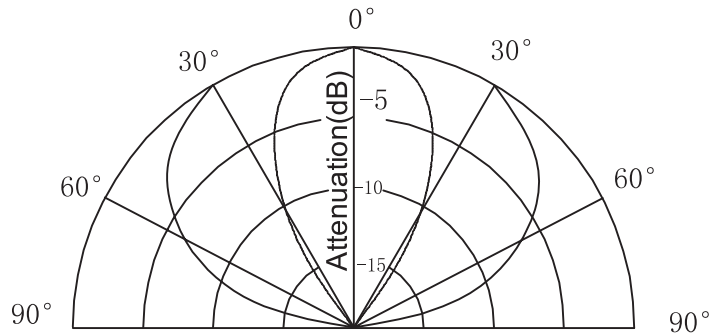


## Beam Pattern:

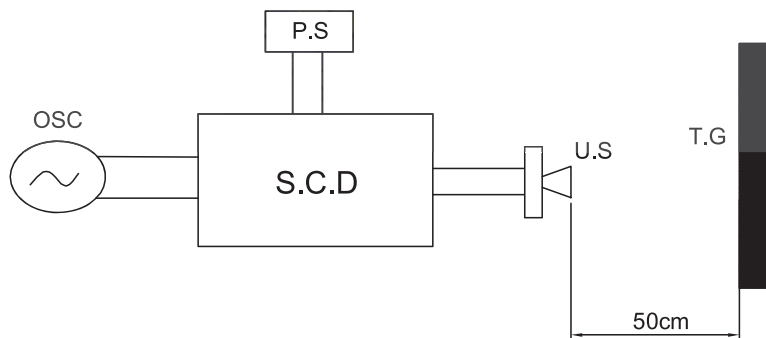




Directivity in Overall Sensitivity

**Test Circuit:**

Echo&Rest.Resonant Time test circuit



- OSC : Oscillator
- P.S : Power supply
- S.C.D : Special circuit diagram
- U.S : Ultrasonic Sensor
- T.G : Target