

# Digital Temperature Controller E5CD/E5ED

Next Generation Digital Temperature Controllers with Expanded Adaptive Control Functionality

E5CD (48 × 48 mm) and E5ED (48 × 96 mm)  
Push-In Plus technology models reduce wiring work  
E5CD-B (48 × 48 mm) and E5ED-B (48 × 96 mm)

Optimize control by detecting status changes.  
Easily satisfy both productivity and quality.  
Ideal for package sealing and water-cooled extrusion applications.

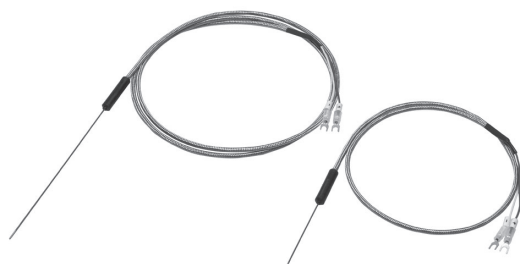


48 × 48 mm  
E5CD/E5CD-B



48 × 96 mm  
E5ED/E5ED-B

Accurately Measure Seal Temperatures  
Temperature Sensors for Packaging Machines



Temperature Sensors  
E52  
Ferrule terminal type added

## Digital Temperature Controller E5CD/E5CD-B (48 × 48 mm)

**Optimize Control by Detecting Status Changes.  
Easily Satisfy Both Productivity and Quality.  
Models with Push-In Plus Technology Available in the Lineup.**

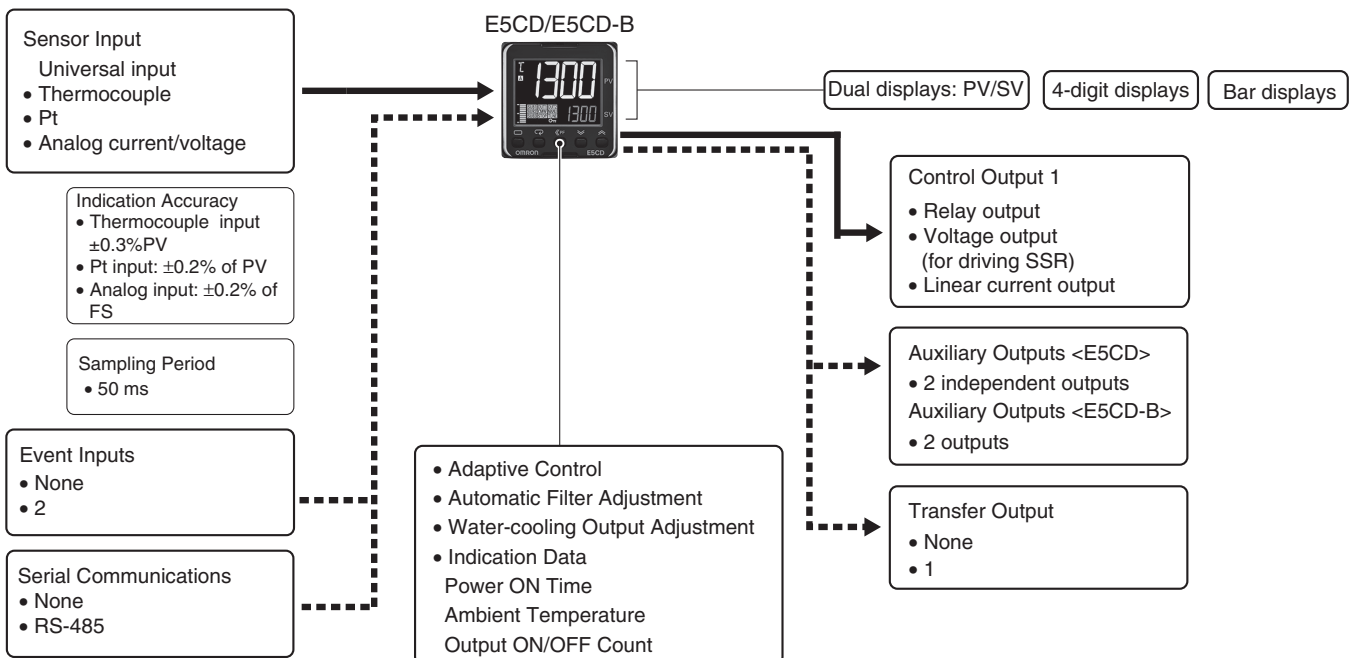


For the most recent information on models that have been certified for safety standards, refer to your OMRON website.

Refer to *Safety Precautions* on 43.

- Automatic optimization of control for changes in systems (Adaptive Control).
- Functions specialized for packaging machines (Temperature Sensors for Packaging Machines and Automatic Filter Adjustment).
- Function specialized for water-cooled extruders (Water-cooling Output Adjustment).
- Indication data (Power ON Time, Ambient Temperature, and Output ON/OFF Count).
- Basic performance is same as the E5□C standard models.
- Draw-out structure for easy maintenance. (Screw terminal blocks only)

### Main I/O Functions



This datasheet is provided as a guideline for selecting products.

Be sure to refer to the following manuals for application precautions and other information required for operation before attempting to use the product.

E5□D Digital Temperature Controllers User's Manual (Cat. No. H224)

E5□D Digital Temperature Controllers Communications Manual (Cat. No. H225)