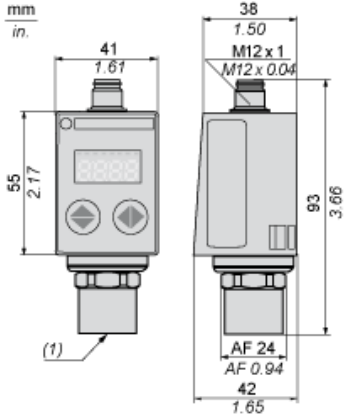




Dimensions



(1) Fluid entry: G 1/4 A female