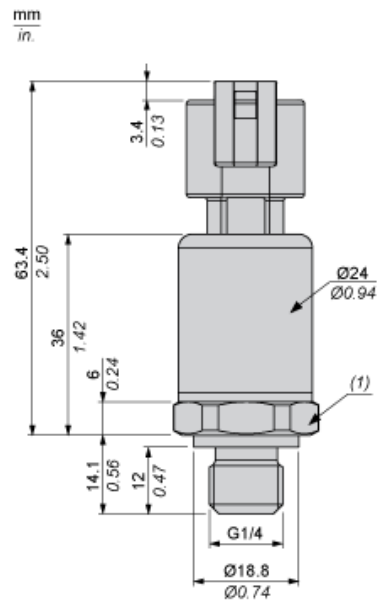


Dimensions

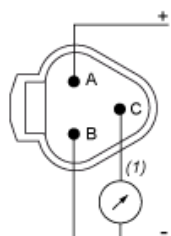


---

Connections and Schema

---

Connector Wiring



(1) V out