



Main

| | |
|-------------------------------|--|
| Range of product | OsiSense XU |
| Series name | Application |
| Electronic sensor type | Photo-electric sensor |
| Sensor name | XUY |
| Sensor design | Fork |
| Detection system | Thru beam |
| Emission | Infrared LED, modulated |
| Passage width | 120 mm |
| Passage depth | 59 mm |
| Material | Metal/plastic |
| Supply circuit type | DC |
| Wiring technique | 4-wire |
| Discrete output type | PNP and NPN |
| Discrete output function | 1 NO or 1 NC programmable |
| Electrical connection | 1 male connector M8, 4 pins |
| Product specific application | Detection of double sheet Detection of labels Detection of reference marks Detection on vibrating rail Detection on small conveyor |
| [Sn] nominal sensing distance | 120 mm |

Complementary

| | |
|---------------------------------------|---|
| Enclosure material | Painted aluminium and polyamide/glass |
| Keypad type | Yellow |
| Minimum object diameter for detection | 0.2 mm |
| Type of output signal | Discrete |
| Output type | Solid state |
| Status LED | 1 LED (red) for adjustment mode and keypad locking 1 LED (yellow) for output state |
| [Us] rated supply voltage | 12...24 V DC with reverse polarity protection |
| Supply voltage limits | 10...30 V DC |
| Switching capacity in mA | 100 mA (overload and short-circuit protection) |

| | |
|---------------------|----------------------|
| Switching frequency | 10 kHz |
| Voltage drop | < 2 V (closed state) |
| Current consumption | 40 mA (no-load) |
| Load capacitance | 330 nF |
| Time response | -20...20 µs |
| Setting-up | Self teaching |
| Product weight | 0.19 kg |

Environment

| | |
|---------------------------------------|--|
| Product certifications | CE cULus |
| Ambient air temperature for operation | -20...60 °C |
| Ambient air temperature for storage | -30...80 °C |
| Immunity to ambient light | 10000 lux with natural light 5000 lux with incandescent bulb |
| Vibration resistance | 7 gn, amplitude = +/- 0.75 mm (f = 10...55 Hz) conforming to IEC 60068-2-6 |
| Shock resistance | 30 gn (duration = 11 ms) conforming to IEC 60068-2-27 |
| IP degree of protection | IP65 conforming to IEC 60529 |

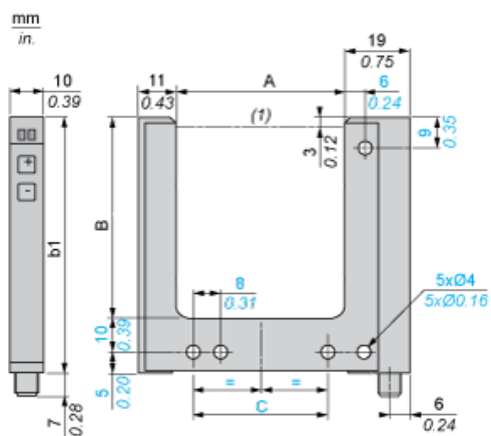
Offer Sustainability

| | |
|------------------------|---|
| RoHS (date code: YYWW) | Compliant - since 0648 - Schneider Electric declaration of conformity Schneider Electric declaration of conformity |
|------------------------|---|

Contractual warranty

| | |
|-----------------|-----------|
| Warranty period | 18 months |
|-----------------|-----------|

Dimensions



(1) Optical axis

Dimensions in mm

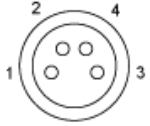
| A | B | b1 | C |
|-----|----|----|-----|
| 120 | 59 | 74 | 110 |

Dimensions in in.

| A | B | b1 | C |
|------|------|------|------|
| 4.72 | 2.32 | 2.91 | 4.33 |

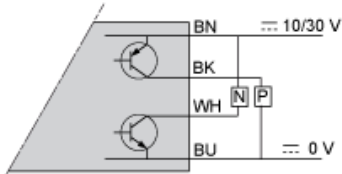
Wiring Schemes

M8 Connector



- 1 : BN: Brown
- 2 : WH: White
- 3 : BU: Blue
- 4 : BK: Black

4-Wire, PNP/NPN Outputs



- BN : Brown
- WH : White
- BK : Black
- BU : Blue