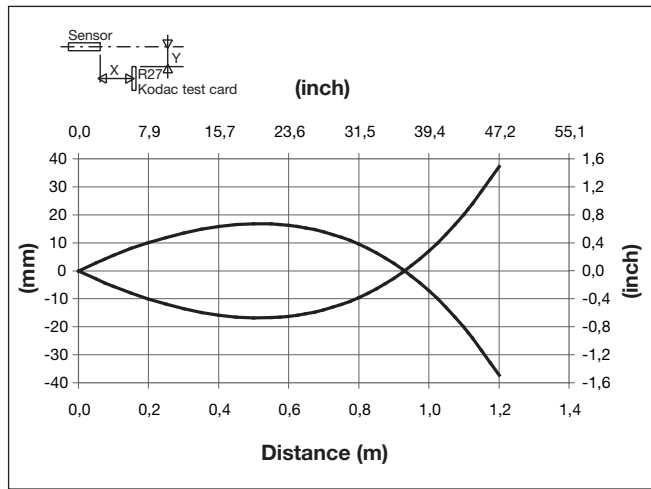
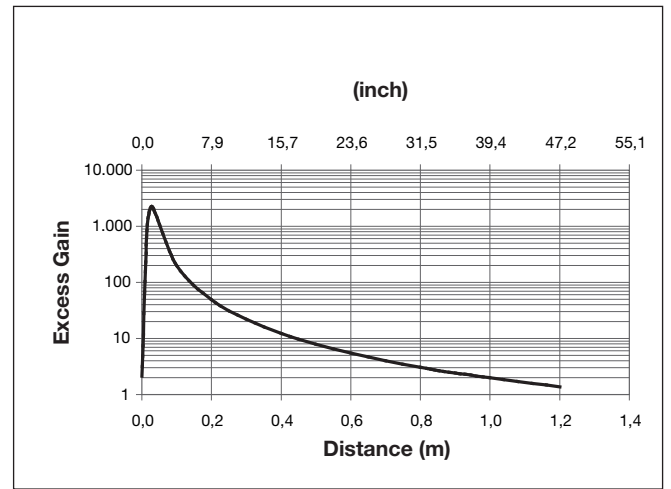


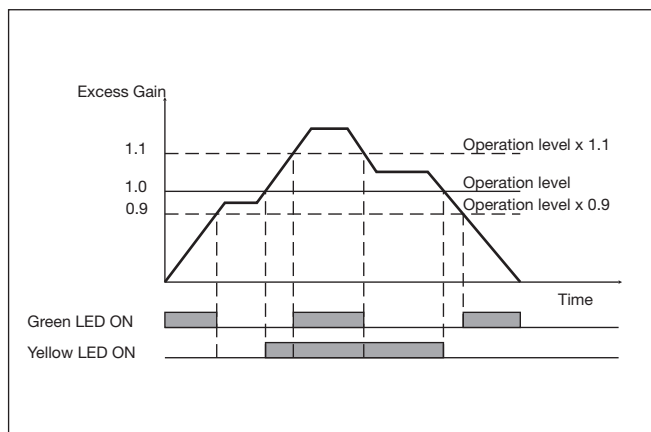
Detection Diagram



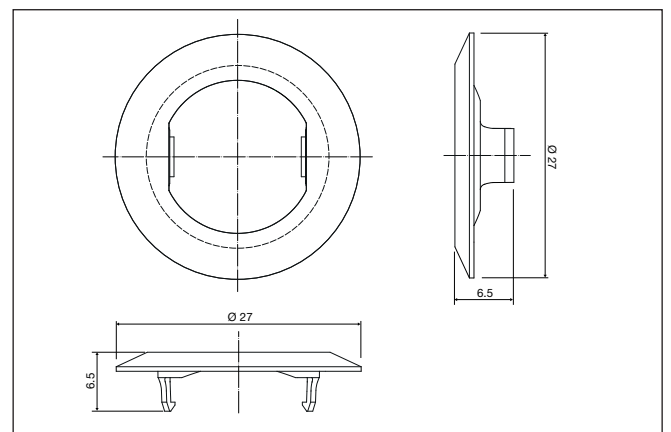
Excess Gain



Signal Stability Indication



APH18-MB1

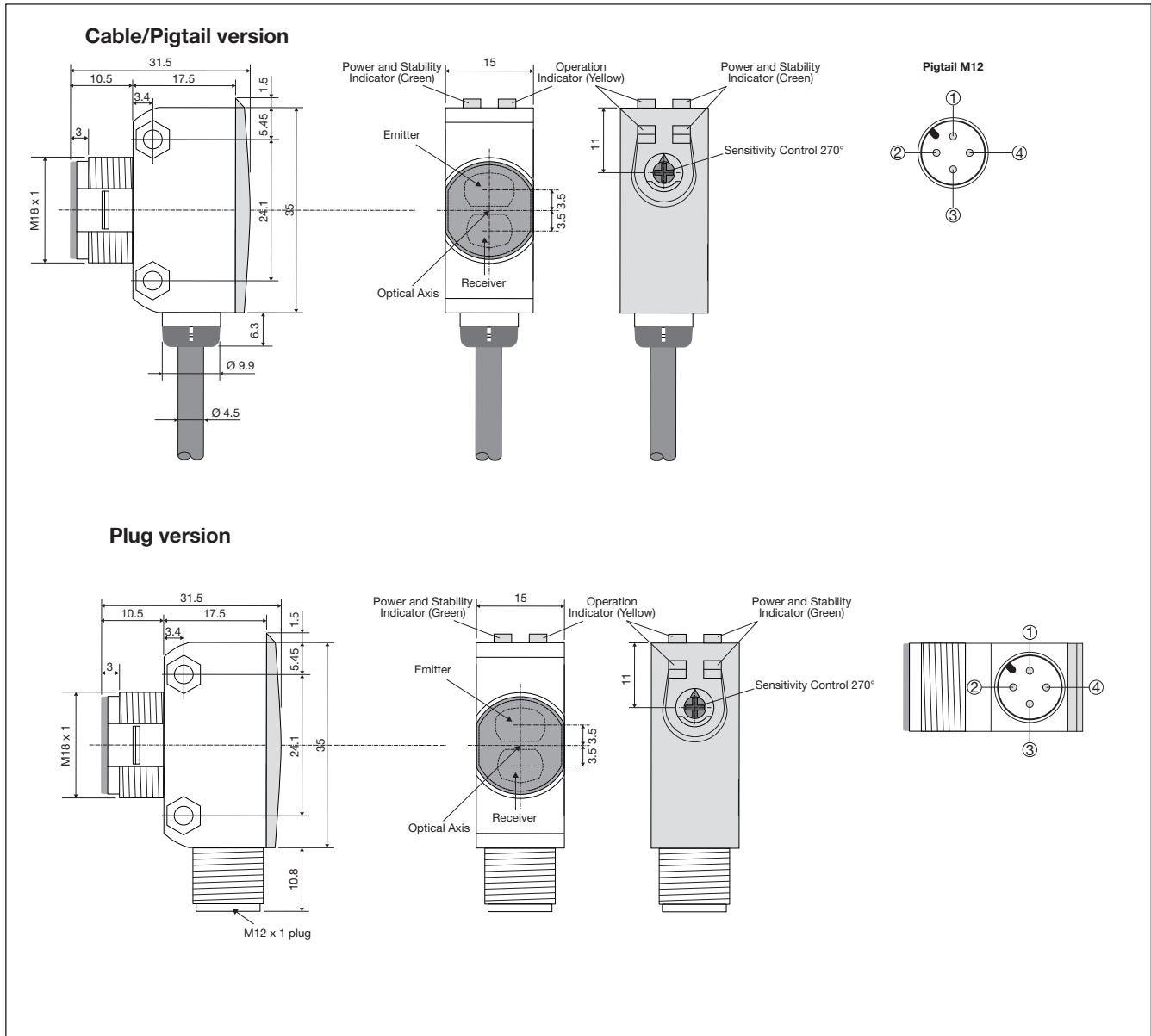


Mounting Systems



PH18 mounting with a combination of 1 x APH18-MB1 and 1 x M18 locknut. Maximum torque 0.9 NM

Dimensions



Installation Hints

<p><i>To avoid interference from inductive voltage / current peaks, separate the proximity switch cables from any other power cables. E.g. Engine, contactor or solenoid cables</i></p>	<p><i>Relief of the cable strain</i></p> <p><i>The cable should not be pulled</i></p>	<p><i>Protection of the sensing face</i></p> <p><i>A proximity switch should not serve as mechanical stop</i></p>	<p><i>Sensor mounted on a mobile carrier</i></p> <p><i>Any repetitive flexing of the cable should be avoided</i></p>
---	---	---	--