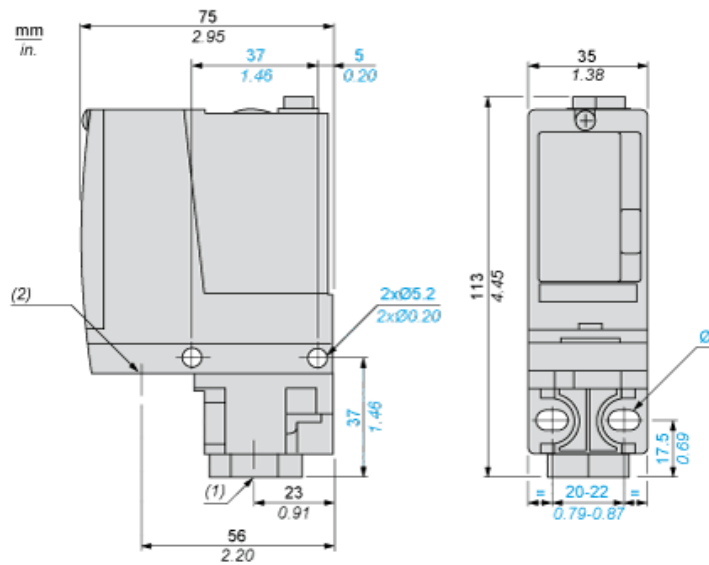


Contractual warranty

Warranty period	18 months
-----------------	-----------

Dimensions



- (1) 1 fluid entry, tapped PT 1/4 (JIS B0203)
(2) 1 electrical connections entry, tapped 1/2" PF (JIS B0202)
Ø : 2 elongated holes Ø 5.2 x 6.7