

Softstart

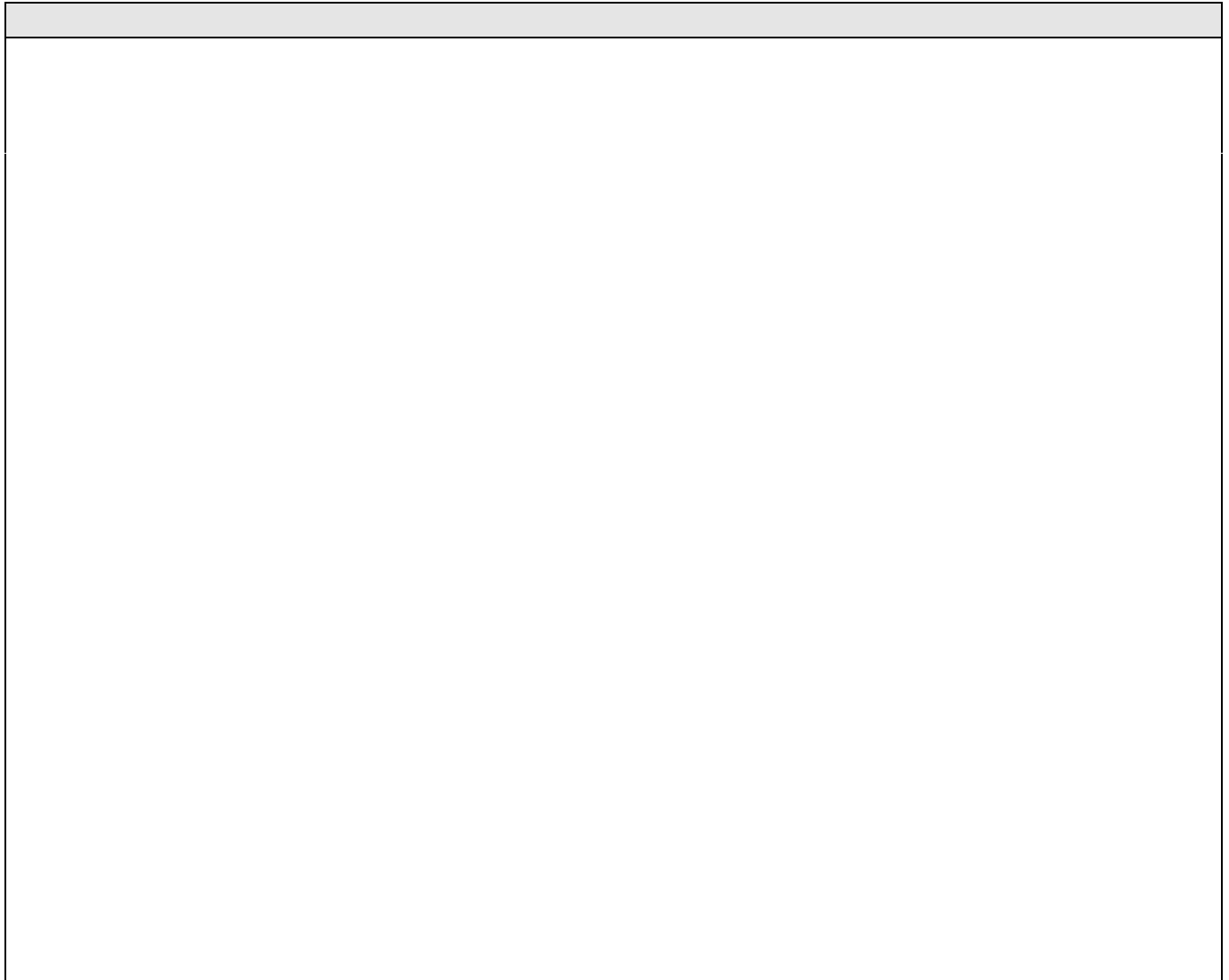
Diagram for softstarters

PS A18...60

PS D75...840

PS DH30...720

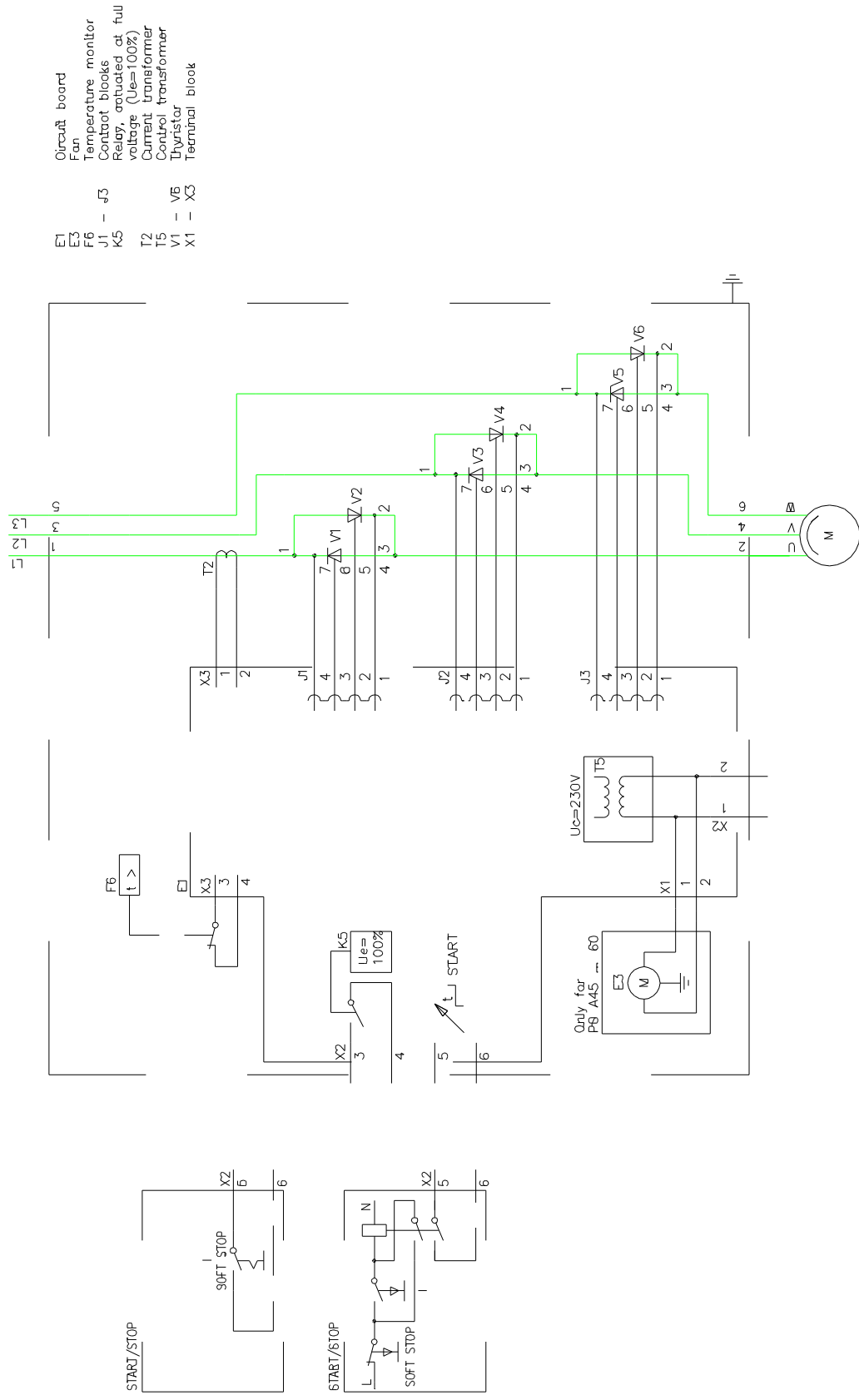
5309 698-1 Edition 4 Dec-01 (English)



STANDARD DIAGRAM

5366 104-1	PS A18...60	Standard.
5366 104-2	PS D75...840	Standard.
5366 104-3	PS D75...840	Standard.
	PS DH30...720	

Soft Starter PS A18...60 standard diagram.

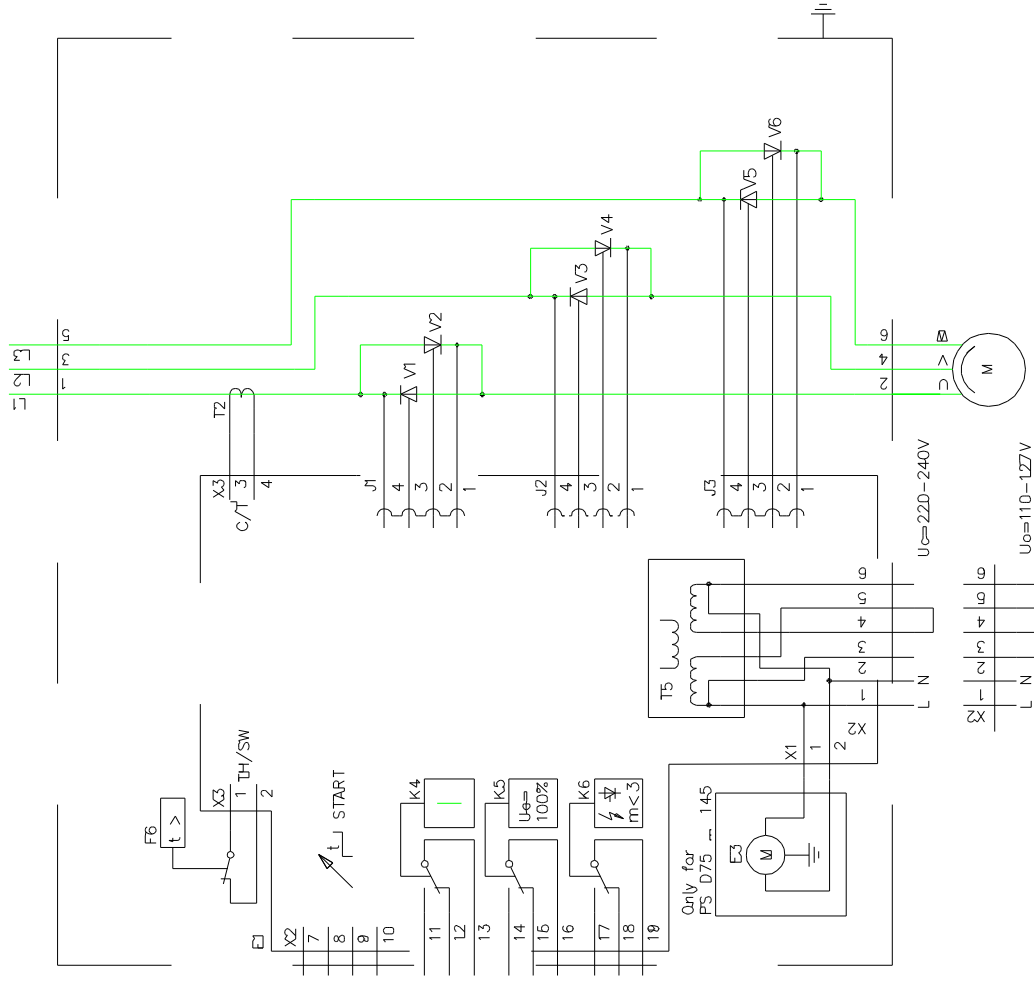
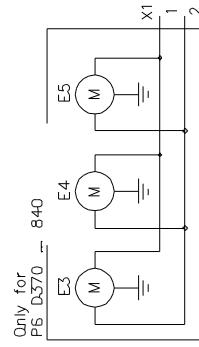
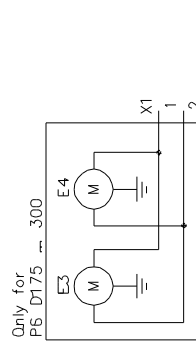
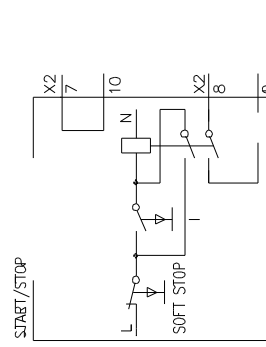
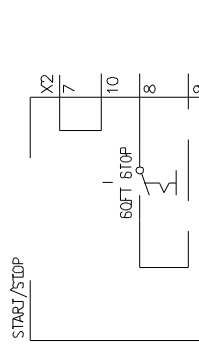
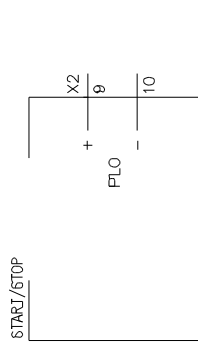


- E1 - Circuit board
- F6 - Fan
- J1 - J5 - Temperature monitor
- K5 - Contact blocks
- T2 - Relay, actuated at full voltage (U_e=100%)
- T5 - Current transformer
- V1 - V6 - Thyristor
- X1 - X3 - Terminal block

S104-1

4	Adjusted	TP	95	07	Xor	Ibask
	Rev. not					
Circuit diagram		SOFT STARTERS		MÄJKSTARTARE		ISSUED
T PERSSON	T PERSSON	TP			SCORL/BØ	Ø2 4Ø
5366		104-1				
82		1				
4		-				

Soft Starter PS D75...840 standard diagram.



- E1 - E5
- F6 - B5
- J1 - J3
- K4
- K5
- K6
- T2
- T5
- V1 - V6
- X1 - X3

- Circuit board
- Fan
- Temperature monitor
- Contact blocks
- Relay, actuated in operational position
- Relay, actuated at full voltage (Ue=100%)
- Relay, fault signal
- Current transformer
- Control transformer
- Thyristor
- Terminal block

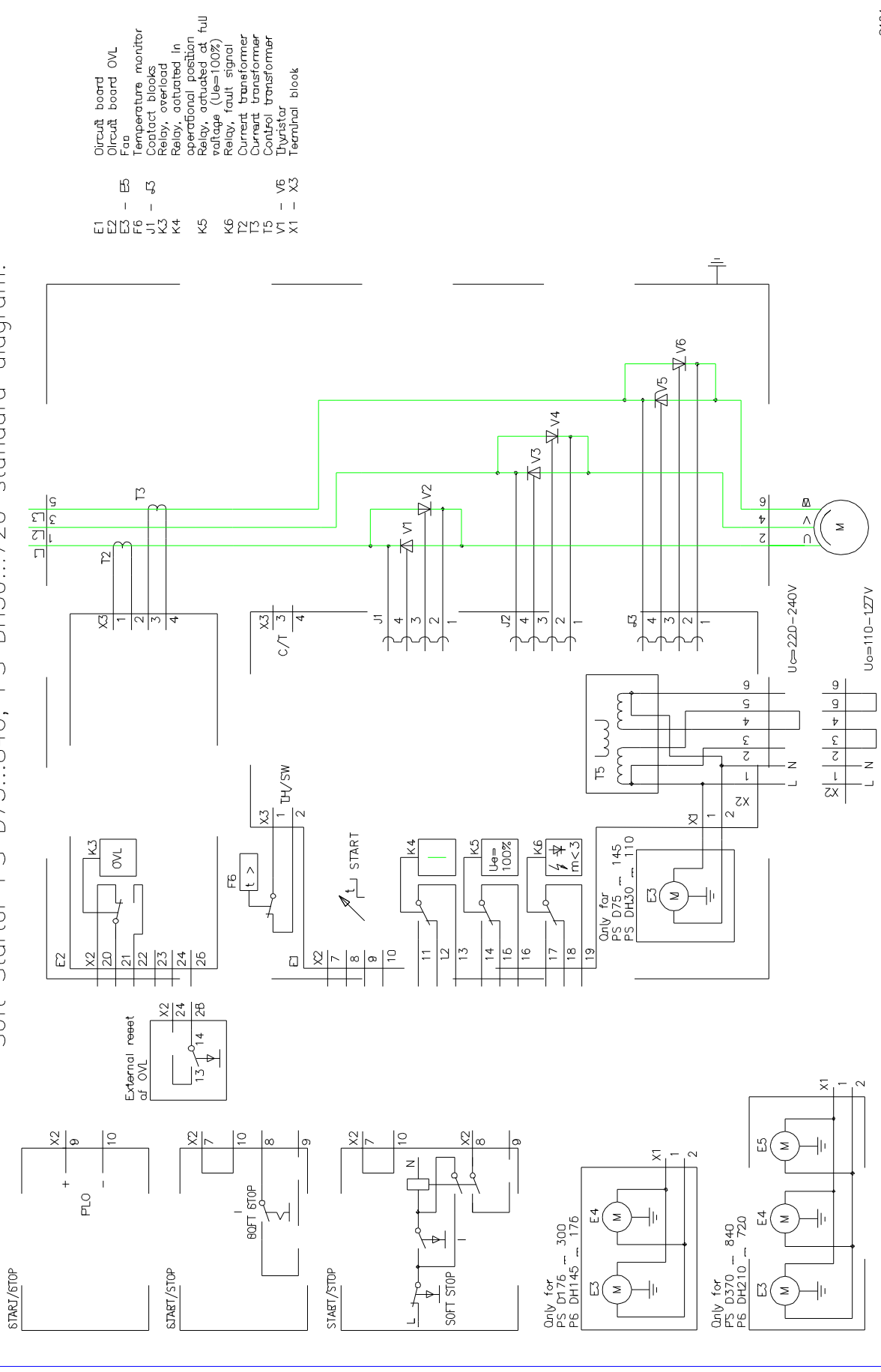
4	Adjusted	TP	95	07	Year	Week
Rev. int.		Appl.				

ISSUED	ABB Control	Rev. No. (Proj. / Rev. No.)	92 / 14
		Scale	1:1

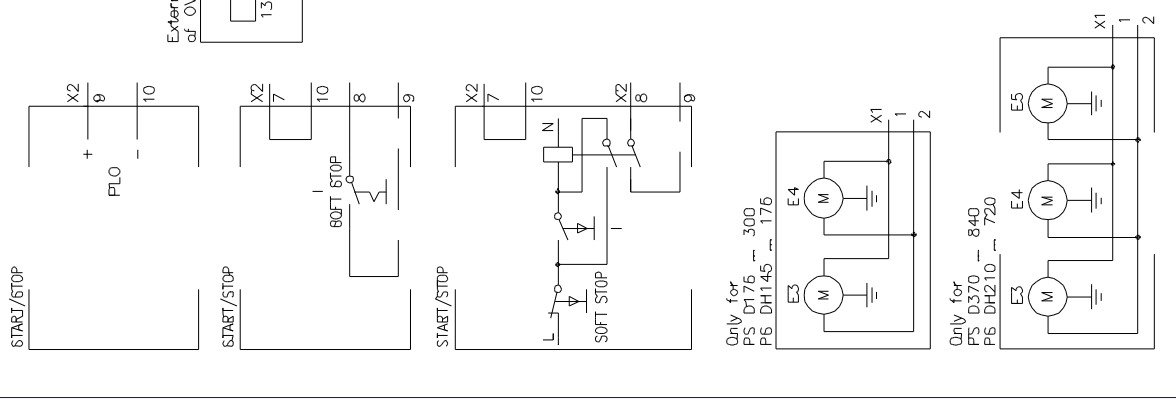
5366	104-2
Rev. No.	4
Cont.	-
Sheet	1
Rev. No.	82

ST04-2

Soft Starter PS D75...840, PS DH30...720 standard diagram.



- E1 - Circuit board
- E2 - Fault board OVL
- E3 - Temperature monitor
- F6 - Contact blocks
- J1 - Relay, overloaded
- J2 - Relay, actuated in operational position
- J3 - Relay, actuated at full voltage (U_e=100%)
- J4 - Relay, fault signal
- J5 - Current transformer
- J6 - Current transformer
- T2 - Control transformer
- T3 - Thyristor
- V1 - Terminal block
- V5 - X3
- V6 - X3



ST04-3

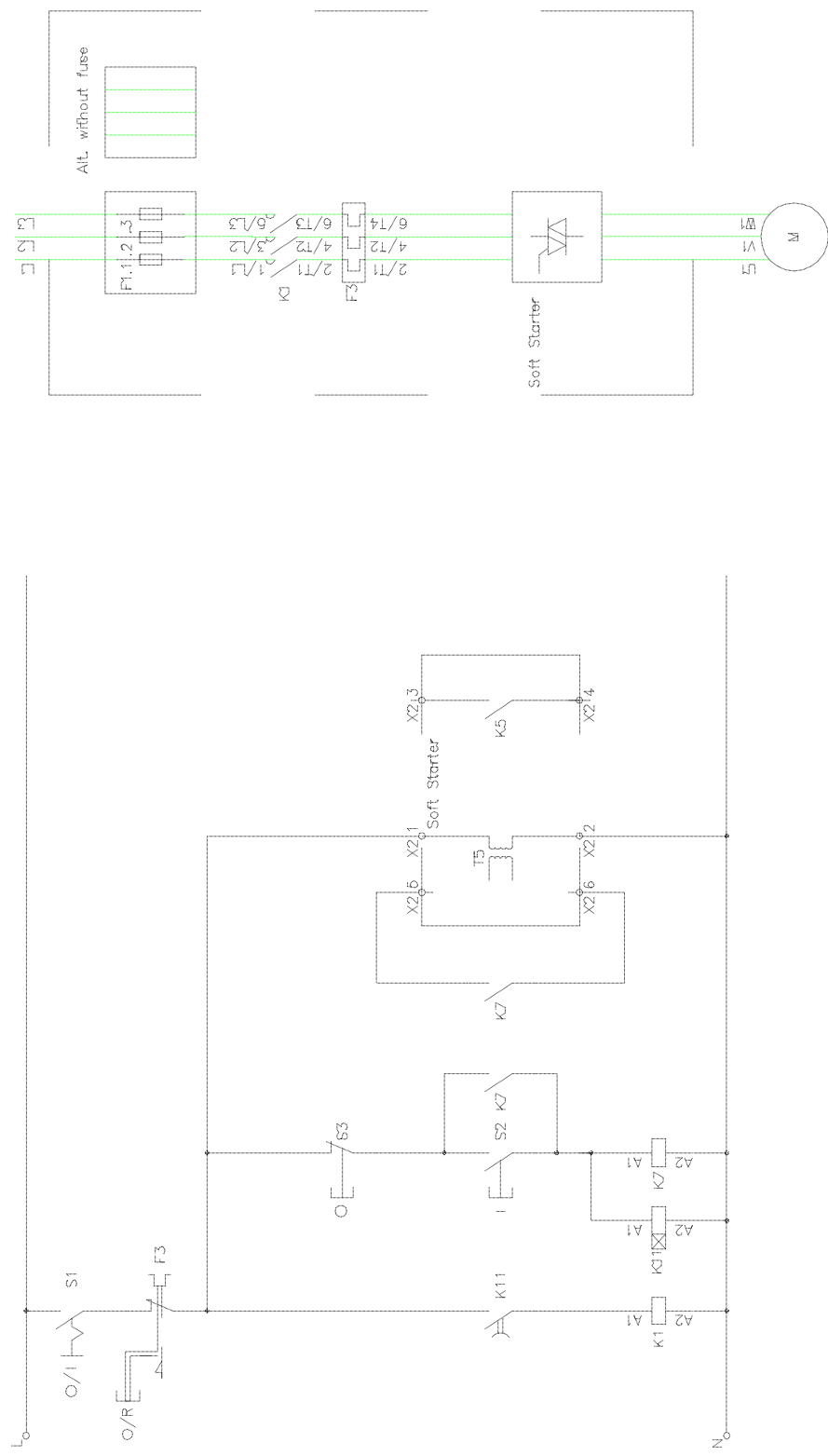
5	Adjusted	TP	95	07	Year	Week
Design checked by T PERSSON Drawing checked by T PERSSON Drawn by TP						
Circuit diagram SOFT STARTERS MJK/STARTARE						
ABB Control						
Issued by S. PERSSON						
Bar No. Sheet 82						
Bar No. Sheet 104-3						
Bar No. Sheet 5						

APPLICATION DIAGRAM

5366 105-1	PS A18...60	With motor protection and softstop.
5366 105-2	PS D75...300	With motor protection and softstop.
5366 105-3	PS D370...840	With motor protection and softstop.
5366 105-4	PS D75...300	With motor protection and softstop.
	PS DH30...250	
5366 105-5	PS D370...840	With motor protection and softstop.
	PS DH300...720	
5366 105-6	PS A18...60	With softstop and By-pass.
5366 105-7	PS D75...300	With softstop and By-pass.
5366 105-8	PS D370...840	With softstop and By-pass.
5366 105-9	PS D75...145	With softstop and By-pass.
	PS DH30...110	
5366 105-10	PS D175...300	With softstop and By-pass.
	PS DH145...250	The internal overload relay is working also together with By-pass.
5366 105-11	PS D370...840	With softstop and By-pass.
	PS DH300...720	The internal overload relay is working also together with By-pass.
5366 105-12	PS A18...60	With motor protection, softstop and By-pass.
5366 105-13	PS D75...300	With motor protection, softstop and By-pass.
5366 105-14	PS D370...840	With motor protection, softstop and By-pass.
5366 105-15	PS D75...145	With motor protection, softstop and By-pass.
	PS DH30...110	
5366 105-16	PS D175...300	With motor protection, softstop and By-pass.
	PS DH145...250	The internal overload relay is working also together with By-pass.
5366 105-17	PS D370...840	With motor protection, softstop and By-pass.
	PS DH300...720	The internal overload relay is working also together with By-pass.
5366 105-18	PS A18...60	With reversing and softstop.
5366 105-19	PS D75...300	With reversing and softstop.
5366 105-20	PS D370...840	With reversing and softstop.
5366 105-21	PS D75...840	With reversing and softstop.
	PS DH30...720	
5366 105-22	PS A18...60	With reversing, By-pass and softstop.
5366 105-23	PS D75...300	With reversing, By-pass and softstop.
5366 105-24	PS D370...840	With reversing, By-pass and softstop.
5366 105-25	PS D75...145	With reversing, By-pass and softstop.
	PS DH30...110	
5366 105-26	PS D175...300	With reversing, By-pass and softstop.
	PS DH145...250	The internal overload relay is working also together with By-pass.
5366 105-27	PS D370...840	With reversing, By-pass and softstop.
	PS DH300...720	The internal overload relay is working also together with By-pass.

5366 105-28	PS A18...60	With pole-changing and softstop. For motor with two winding.
5366 105-29	PS D75...300	With pole-changing and softstop. For motor with two winding.
5366 105-30	PS D370...840	With pole-changing and softstop. For motor with two winding.
5366 105-31	PS A18...60	With pole-changing, By-pass and softstop. For motor with two winding.
5366 105-32	PS D75...300	With pole-changing, By-pass and softstop. For motor with two winding.
5366 105-33	PS D370...840	With pole-changing, By-pass and softstop. For motor with two winding.
5366 105-34	PS A18...60	With pole-changing and softstop.
5366 105-35	PS D75...300	For motor with one winding (Dallander). With pole-changing and softstop.
5366 105-36	PS D370...840	For motor with one winding (Dallander). With pole-changing and softstop.
5366 105-37	PS A18...60	For motor with one winding (Dallander). With pole-changing, By-pass and softstop.
5366 105-38	PS D75...300	For motor with one winding (Dallander). With pole-changing, By-pass and softstop.
5366 105-39	PS D370...840	For motor with one winding (Dallander). With pole-changing, By-pass and softstop.

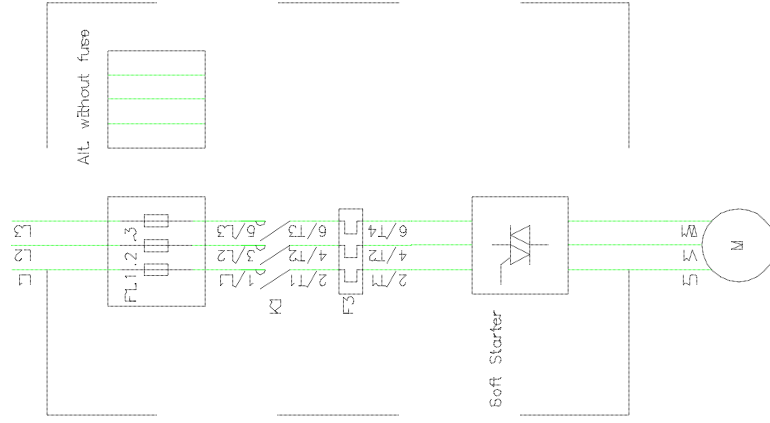
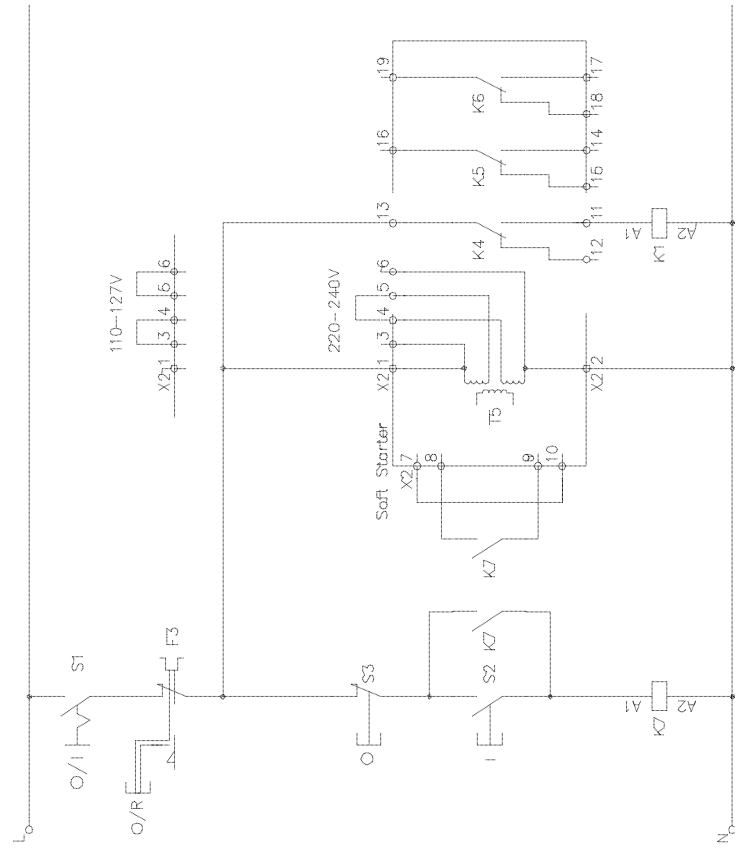
Soft Starter PS A18...60 with motor protection and softstop.
 Main contactor open during pause



A105-1

APPLICATION DIAGRAM		ISSUED	
Soft Starter		82	
Mjukstare		5366 105-1	
T Persson		SECUR/B06 B05	
T Persson		1	
TP		1	
1 K11 Insert and fuse moved		1	
TP: 06 40		1	
App: int		1	
Year: 06		1	
Risk: 40		1	

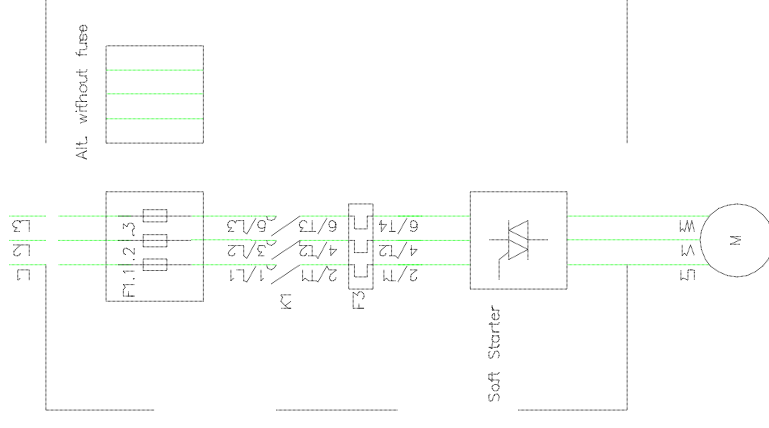
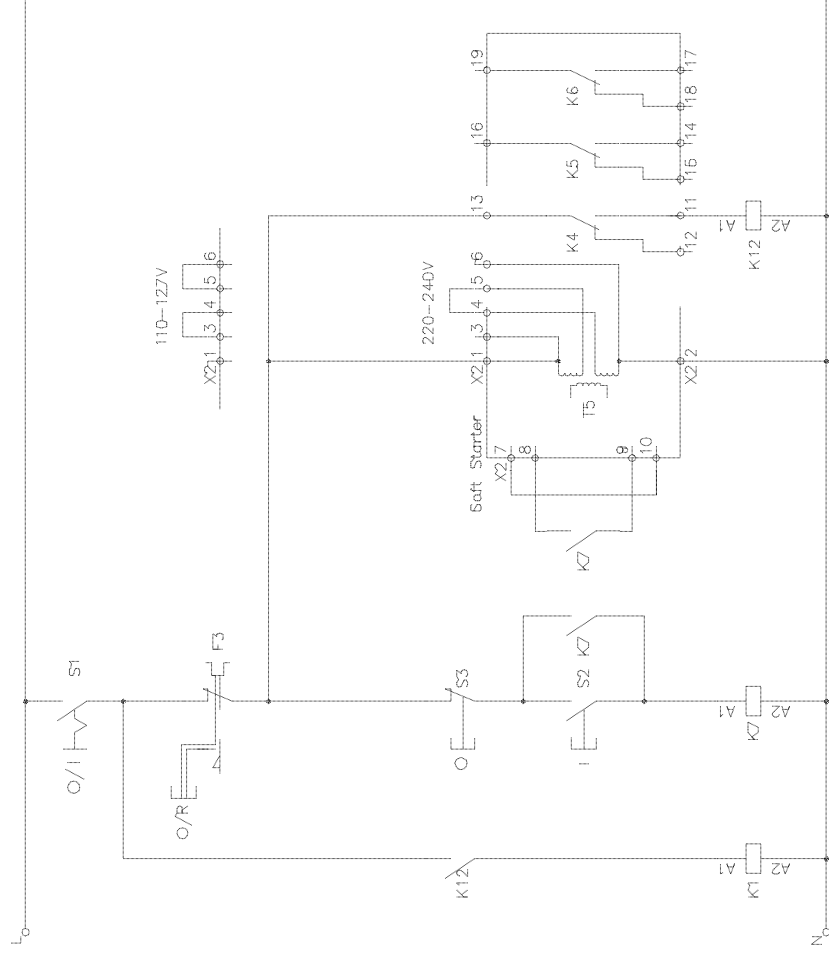
Soft Starter PS D75...300 with motor protection and softstop.
 Main contactor open during pause



A105-2

Revision		Date		Description	
1	K1 and fuses moved	TP	06	40	
		Appd	Yarr	Week	
Design checked by: I. PERISSOC Drawing checked by: I. PERISSOC Drawn by: TP					
APPLICATION DIAGRAM Soft Starter Mjpkstarktare					
ABB Control					
Iss by: Dipt. SECUR/BB Year: 05 Week: 05					
5366 105-2					
Rev. no. Sheet 82 Rev. no. Cont. 1 ...					

Soft Starter PS D370...840 with motor protection and softstop.
Main contactor open during pause



AI05-3

		APPLICATION DIAGRAM			
		Soft Starter			
		Mjpkstartare			
		SECUR/B00		B6 B5	
		ISSUED		1	
		5366 105-3		82	
				1	
				...	

1 K12 Inset and fuse moved

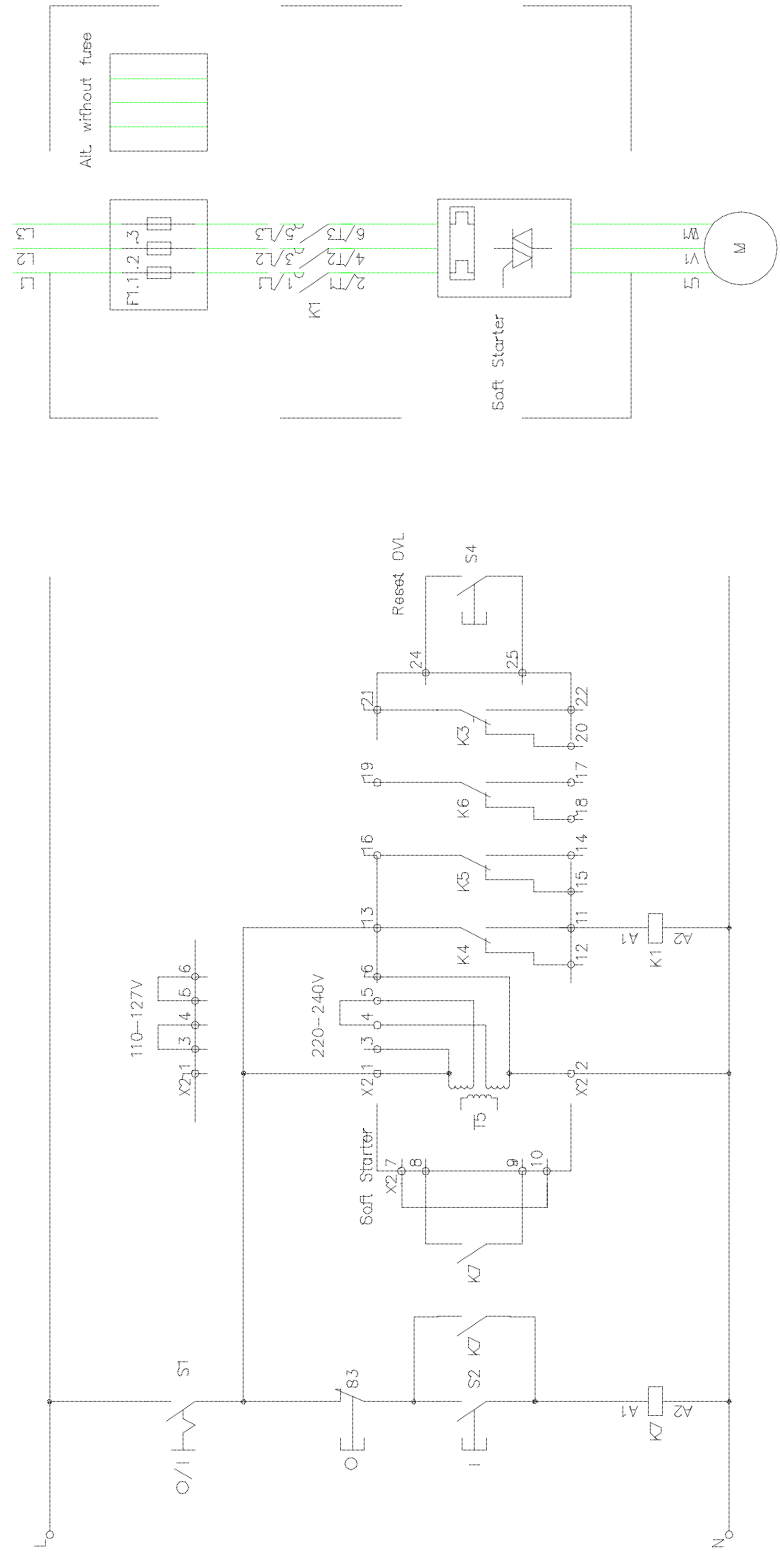
TP: 06 40

App: Yarr

Rev: int

Book

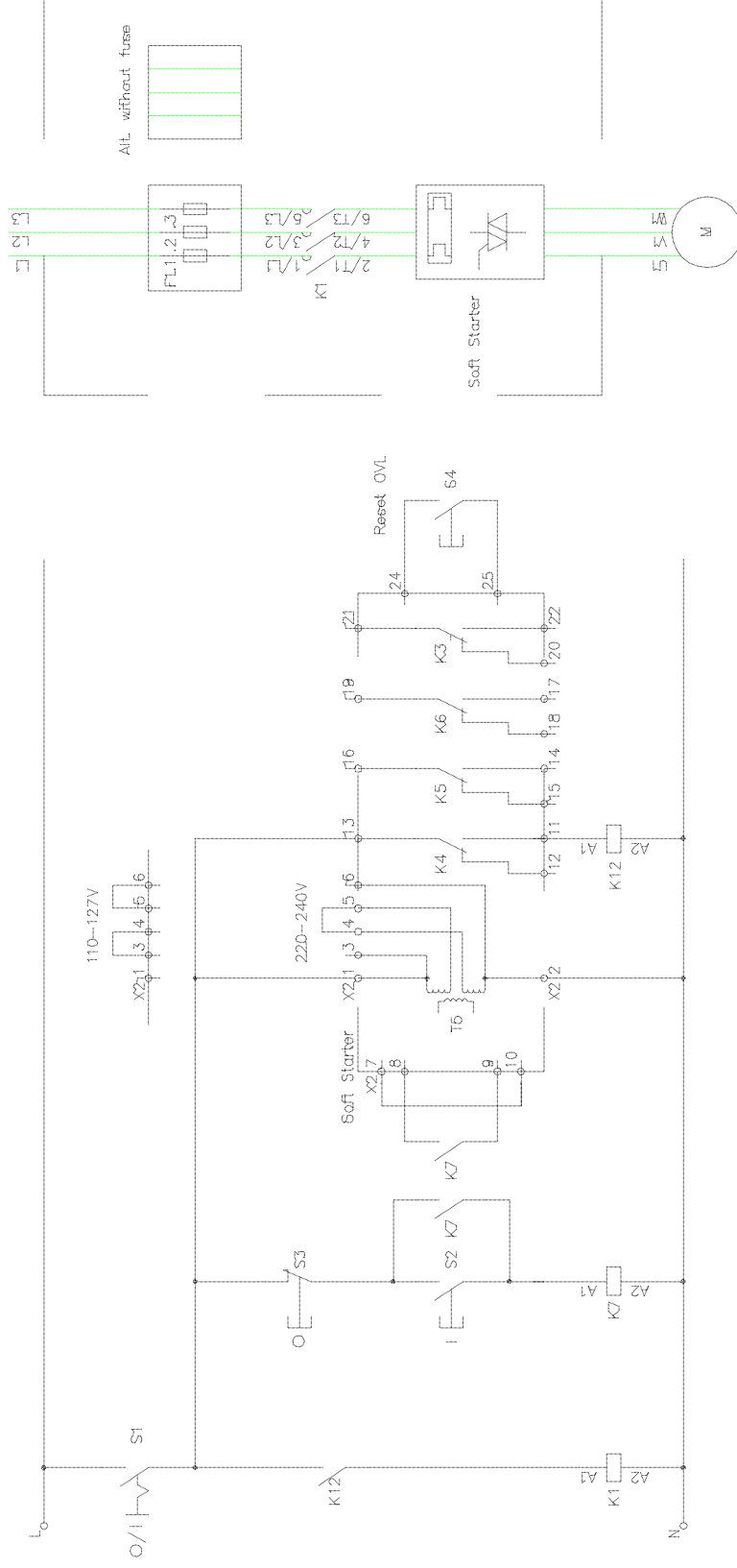
Soft Starter PS D75...300, PS DH30...250 with motor protection and softstop.
 Main contactor open during pause



AI05-4

Revision		Date		Description	
2	K1 and fuses moved	TP	06	40	
1	Adjusted	TP	09	09	
		Appd	Yarr	Week	
Design checked by		APPLICATION DIAGRAM			
Drawing checked by		Soft Starter			
Drawn by		Mufkastare			
Iss by Dept.		ABB Control			
SECURITY/BB		05			
ISSUED		05			
Rev. no.		Sheet		...	
2		82		1	
5366 105-4					

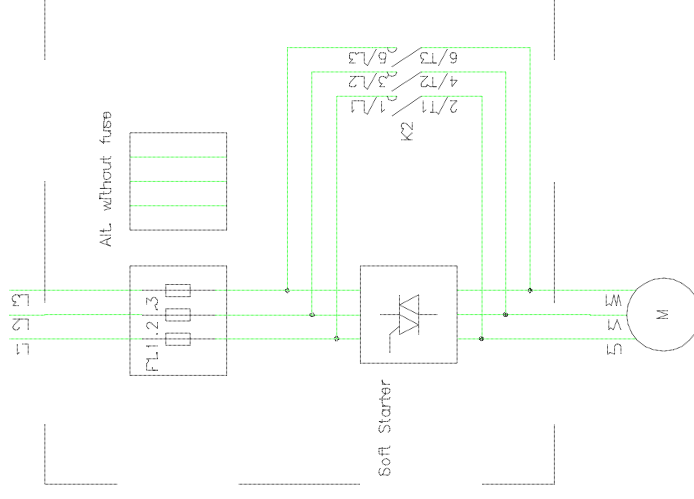
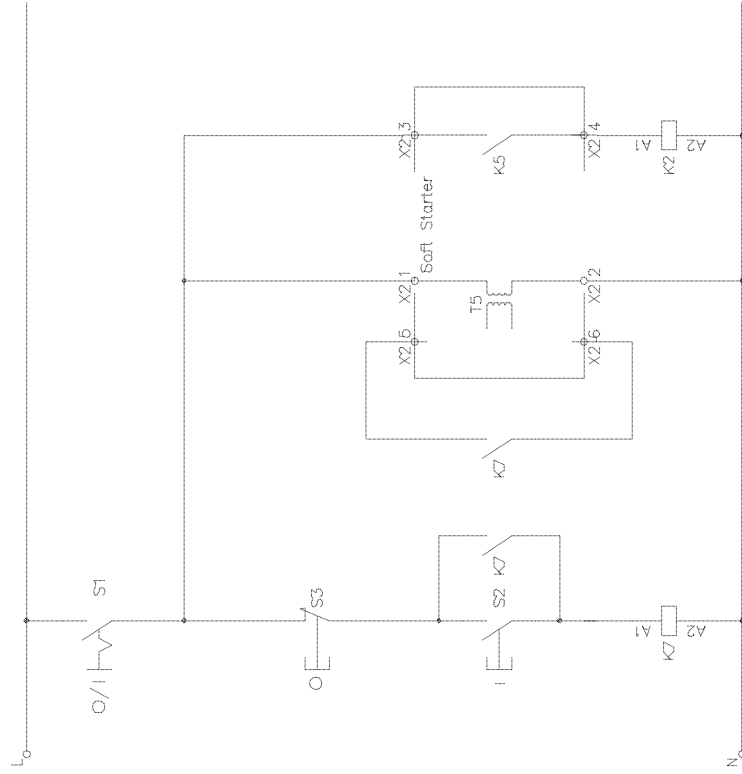
Soft Starter PS D370...840, PS DH300...720 with motor protection and softstop.
Main contactor open during pause



A105-6

Rev	Int	Issued	Year	Month	Day	By	Checked	Drawn	Checked	Design	Application	Sheet	Rev
2			06	40		TP				I. Persson	ABB Control	1	...
1			09	09		TP				I. Persson	Soft Starter Mjukstare	2	...
1			09	09		TP				I. Persson	ABB Control	2	...
1		ISSUED	05	05		TP				I. Persson	ABB Control	2	...

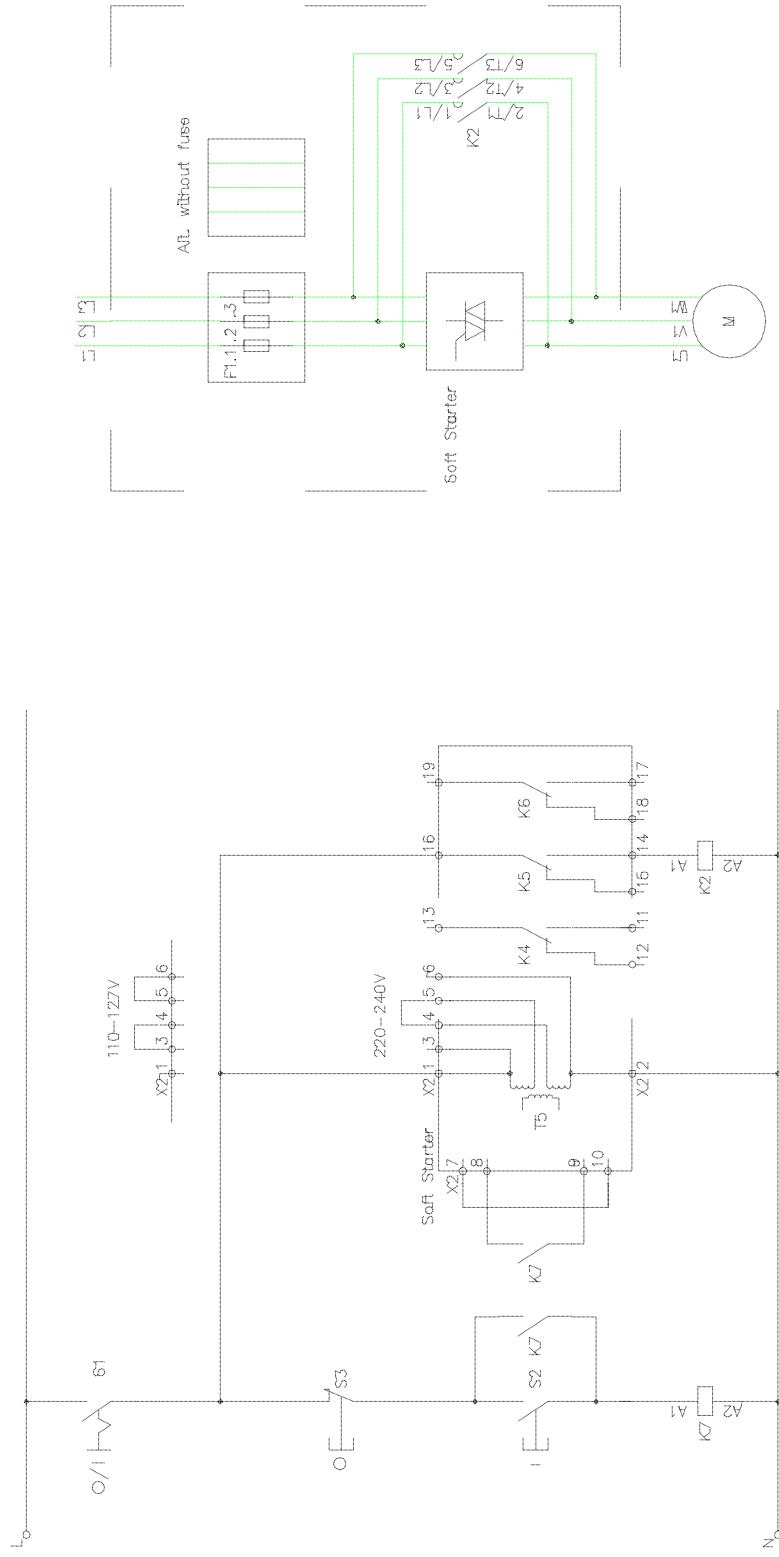
Soft Starter PS A18...60 with softstop and By-pass.



A105-6

APPLICATION DIAGRAM		SECUR/80 06 05		ISSUED	
Soft Starter		Mjuketartare		5366 105-6	
I Perissaa		I Perissaa		82	
I Perissaa		TP		1	
TP		Appd		1	
1 Fuses moved		86 40		1	
Rev int		Xor		100x	

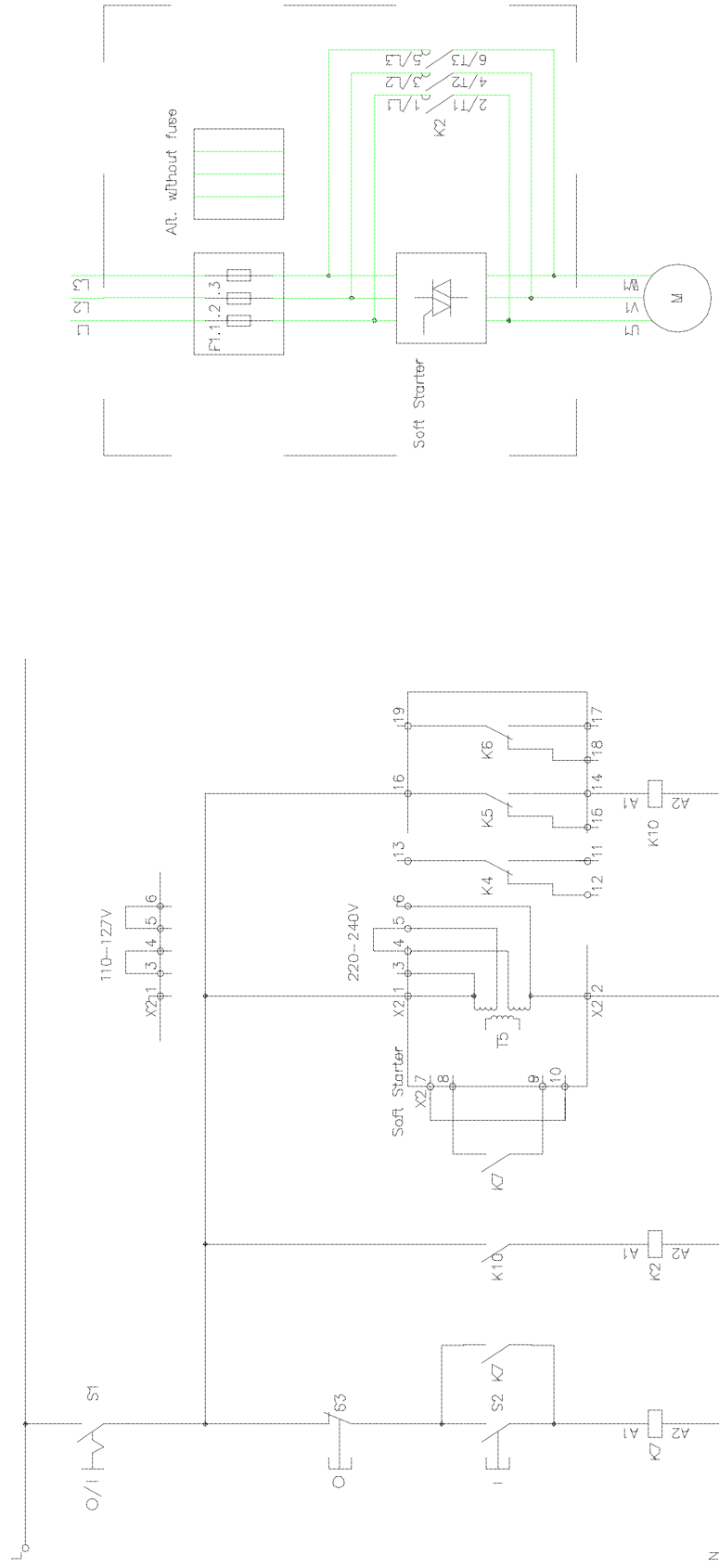
Soft Starter PS D75...300 with softstop and By-pass.



A105-7

APPLICATION DIAGRAM		SECUR/80 06 05	
Soft Starter		ISSUED	
Mjpkstartare		1	
I Pensjon		82	
I Pensjon		1	
TP		---	
1 Fuses moved			
TP 86 40			
Appd Xor			
Rev int			

Soft Starter PS D370...840 with softstop and By-pass.

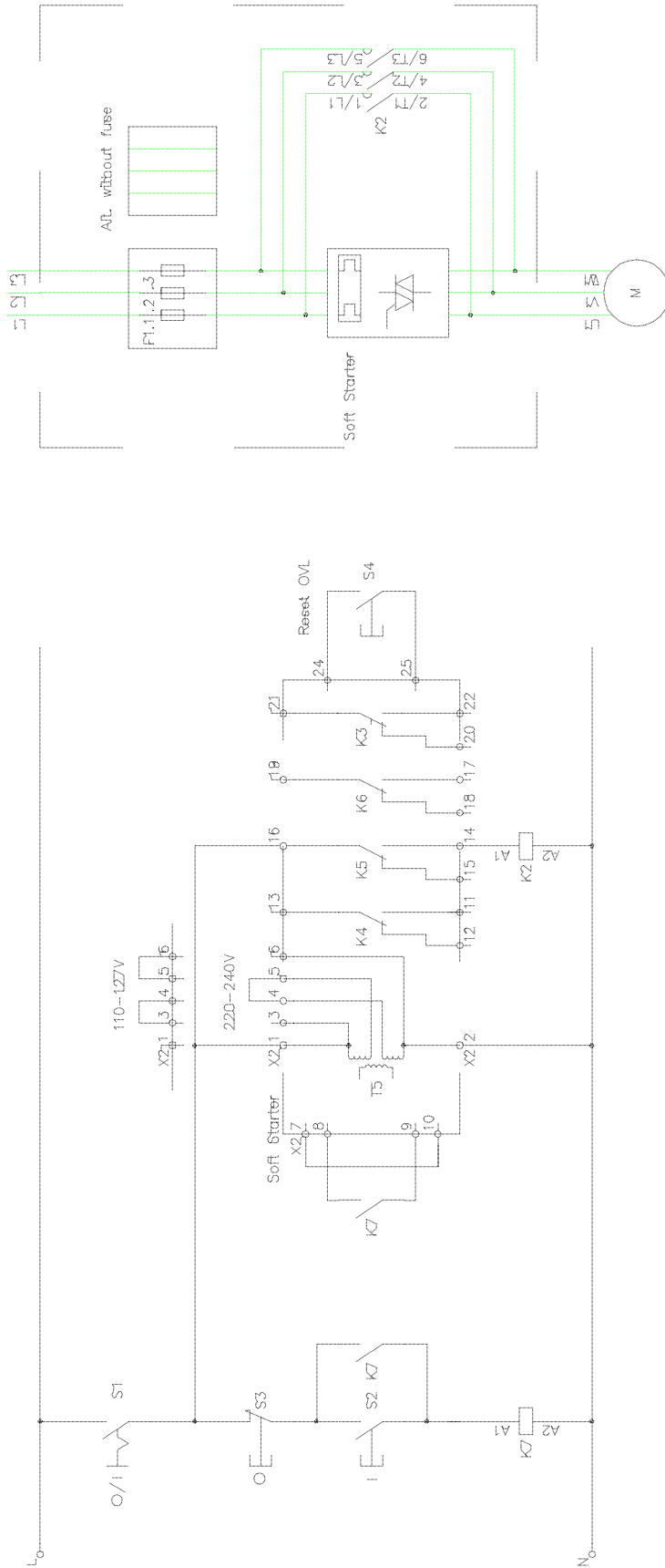


A105-8

APPLICATION DIAGRAM		SECUR/80 06 05	
I Perisosa	Soft Starter	82	1
I Perisosa	Mjakstartare	5366 105-8	1
TP		ISSUED	...

1	Fuses moved	TP	06 40
Rev int		Appt	Yor
		Week	

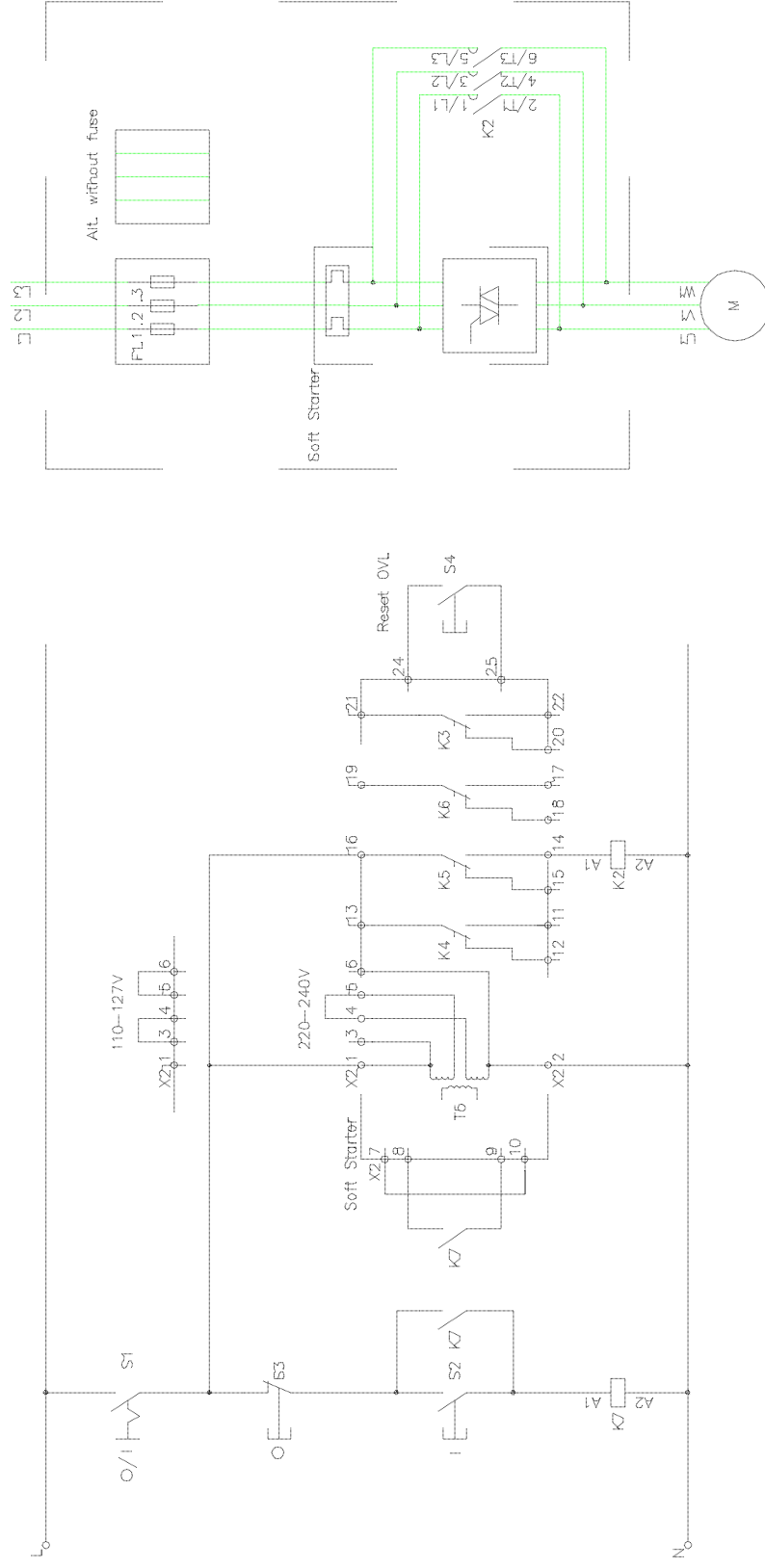
Soft Starter PS D75...145, PS DH30...110 with softstop and By-pass.



Rev. no.		Date		Description		Project		Drawing No.		Sheet No.		Total Sheets	
2	Fuses moved	TP	06	40									
1	Adjusted	TP	06	08									
		Appd.	Year	Week									
Design checked by: I. PERSOUD Drawing checked by: I. PERSOUD Drawn by: TP										APPLICATION DIAGRAM Soft Starter Mjukatartare			
Design checked by: I. PERSOUD Drawing checked by: I. PERSOUD Drawn by: TP										Issued by: STICRU/BBQ Date: 05/05			
Design checked by: I. PERSOUD Drawing checked by: I. PERSOUD Drawn by: TP										ABB Control			
Design checked by: I. PERSOUD Drawing checked by: I. PERSOUD Drawn by: TP										5366 105-9			
Design checked by: I. PERSOUD Drawing checked by: I. PERSOUD Drawn by: TP										ISSUED			
Design checked by: I. PERSOUD Drawing checked by: I. PERSOUD Drawn by: TP										Rev. no. Sheet 2 1 2 1			

A105-9

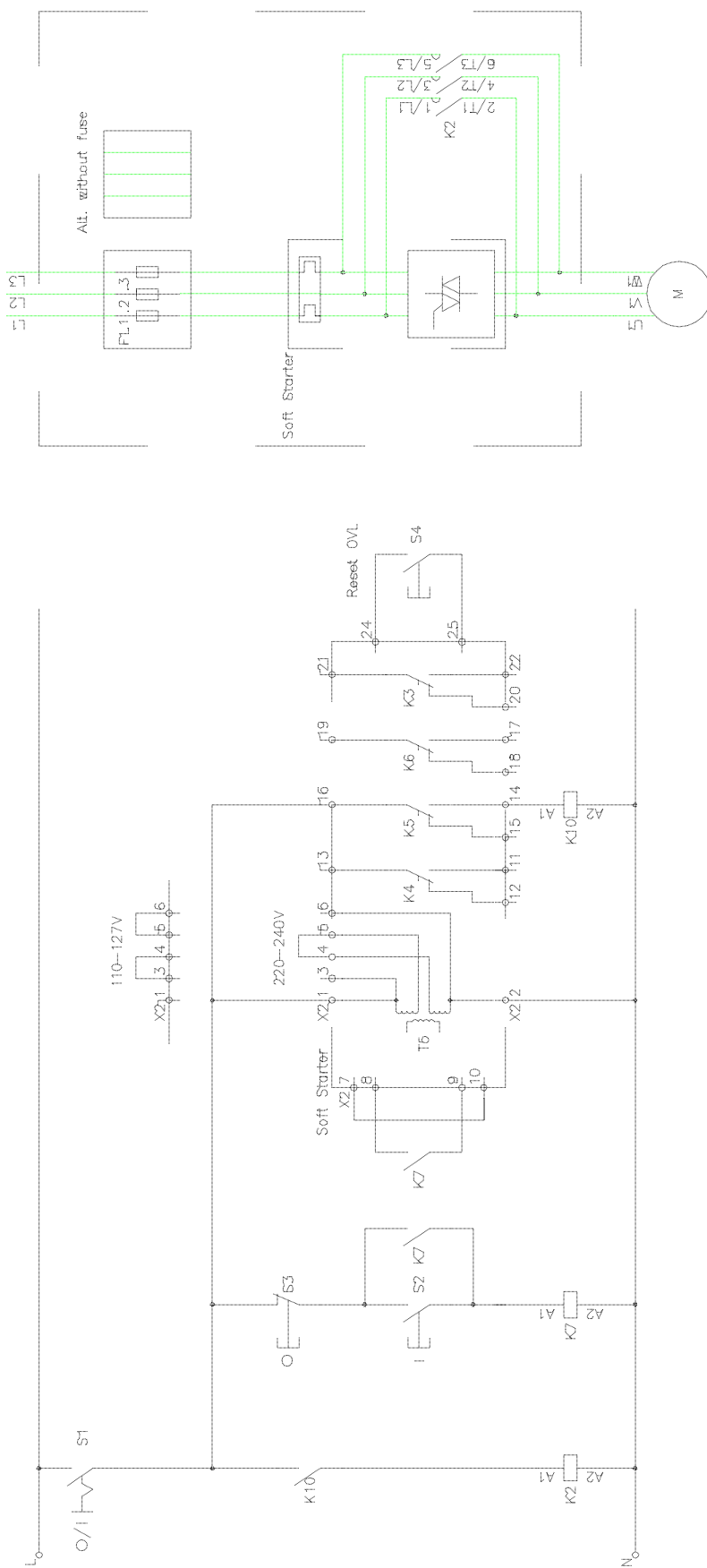
Soft Starter PS D175...300, PS DH145...250 with softstop and By-pass.
 The internal overload relay is working also together with By-pass.



A105-10

2	KT0 removed	TP	96	40	5366 105-10	82	1
		TP	96	09			
1	Adjusted	TP	96	09	5366 105-10	82	1
Rev. int		Appl	Year	Week		ISSUED	2
					SECORL/800	96	05
					APPLICATION DIAGRAM		
					Soft Starter		
					Mjukstartare		
					I Persson		
					I Persson		
					TP		

Soft Starter PS D370...840, PS DH300...720 with softstop and By-pass.
 The internal overload relay is working also together with By-pass.



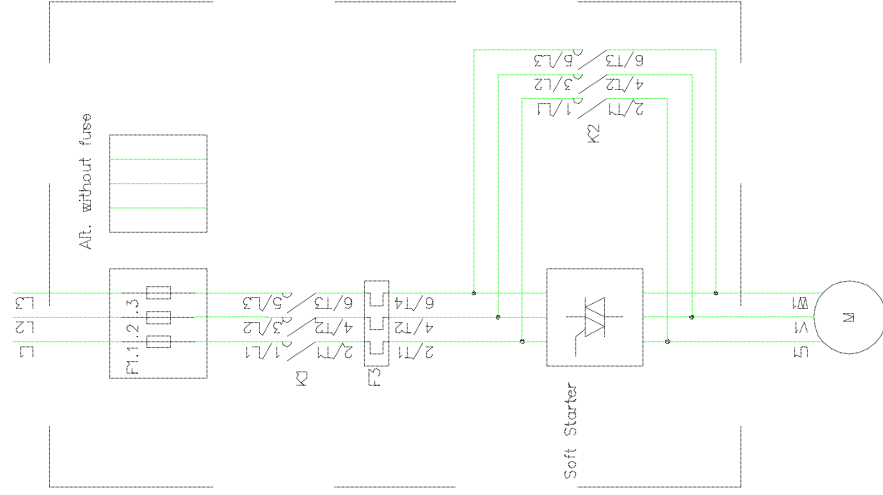
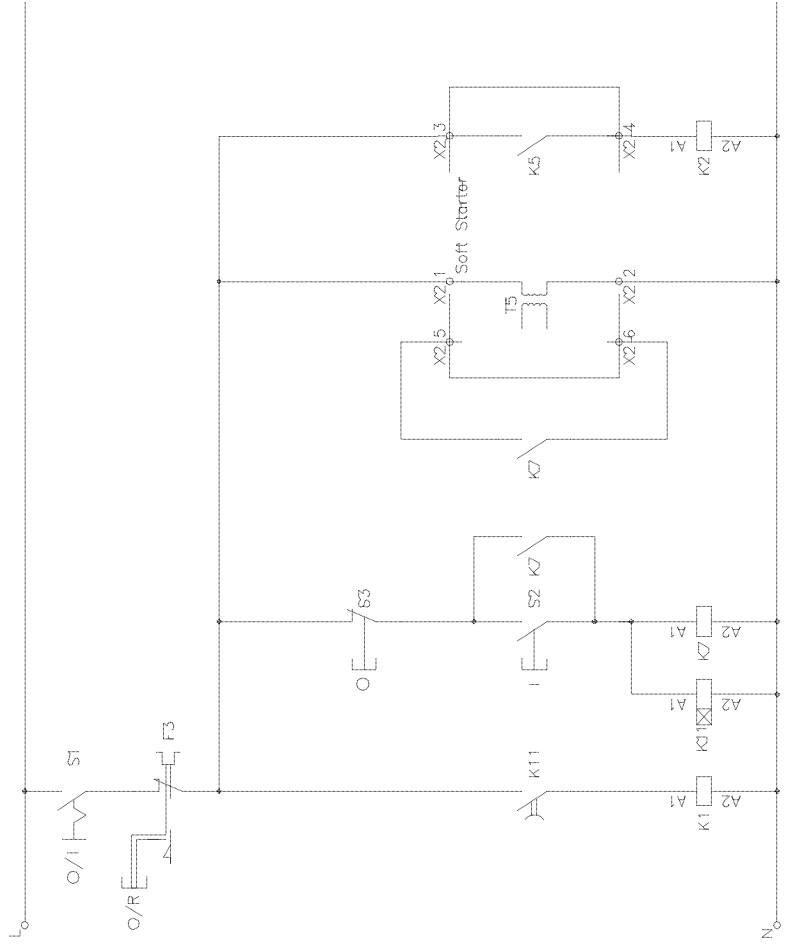
A105-11

Rev. no.	Appd.	Year	Week
2	TP	86	40
1	TP	86	08

Design checked by I. Persson	APPLICATION DIAGRAM Soft Starter Mjuktstartare	Iss by Dept. Year Week STCRL/80 86 05
Drawing checked by I. Persson		
Drawn by TP	ABB Control	ISSUED

5366 105-11	Rev. no.	2
	Long Sheet	1
	Rev. no.	1
	Cont.	...

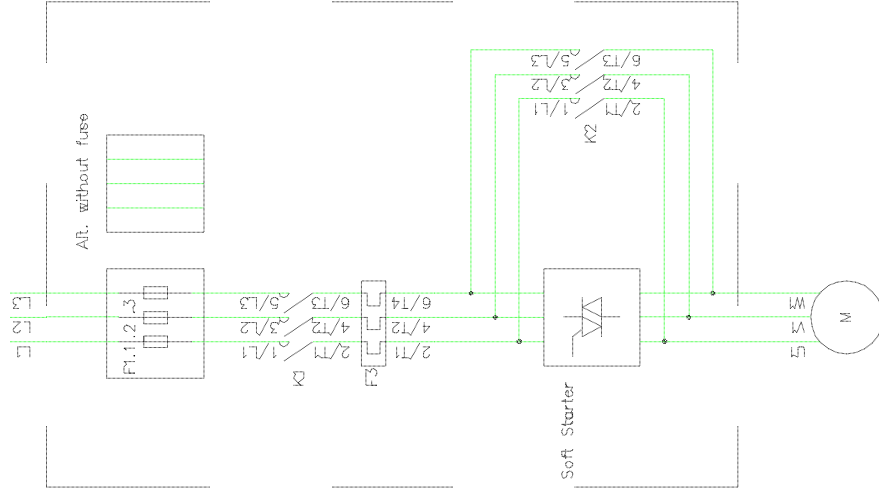
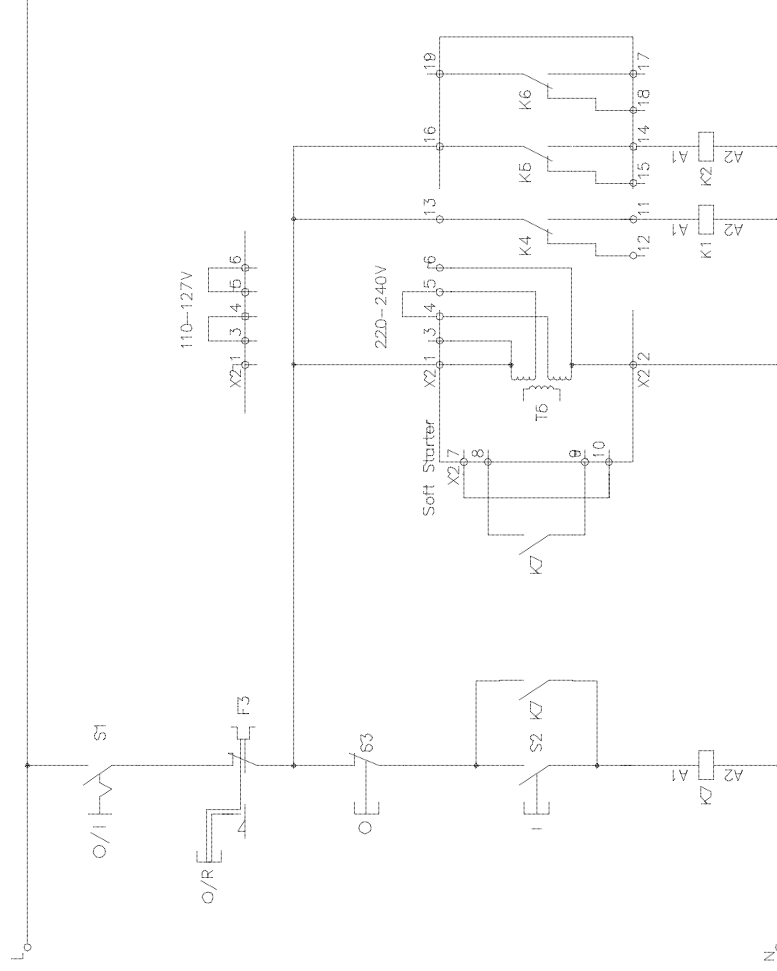
Soft Starter PS A18...60 with motor protection, softstop and By-pass.
 Main contactor open during pause



A105-12

Rev. int.	1	Issued	5366 105-12	Rev. int. Sheet	1
1	Redrains	TP	86 40	Long Sheet	82
Rev. int.	Appd.	Year	Week	Rev. int. Cont.	1
Design checked by I. Persson			APPLICATION DIAGRAM Soft Starter Mikstartare	Rev. int. Sheet 1 82	
Drawing checked by I. Persson				Rev. int. Cont. 1	
Drawn by TP				Issued 5366 105-12	
ABB Control			les by Dept. Year Week SECUR/80 06 05	ISSUED	

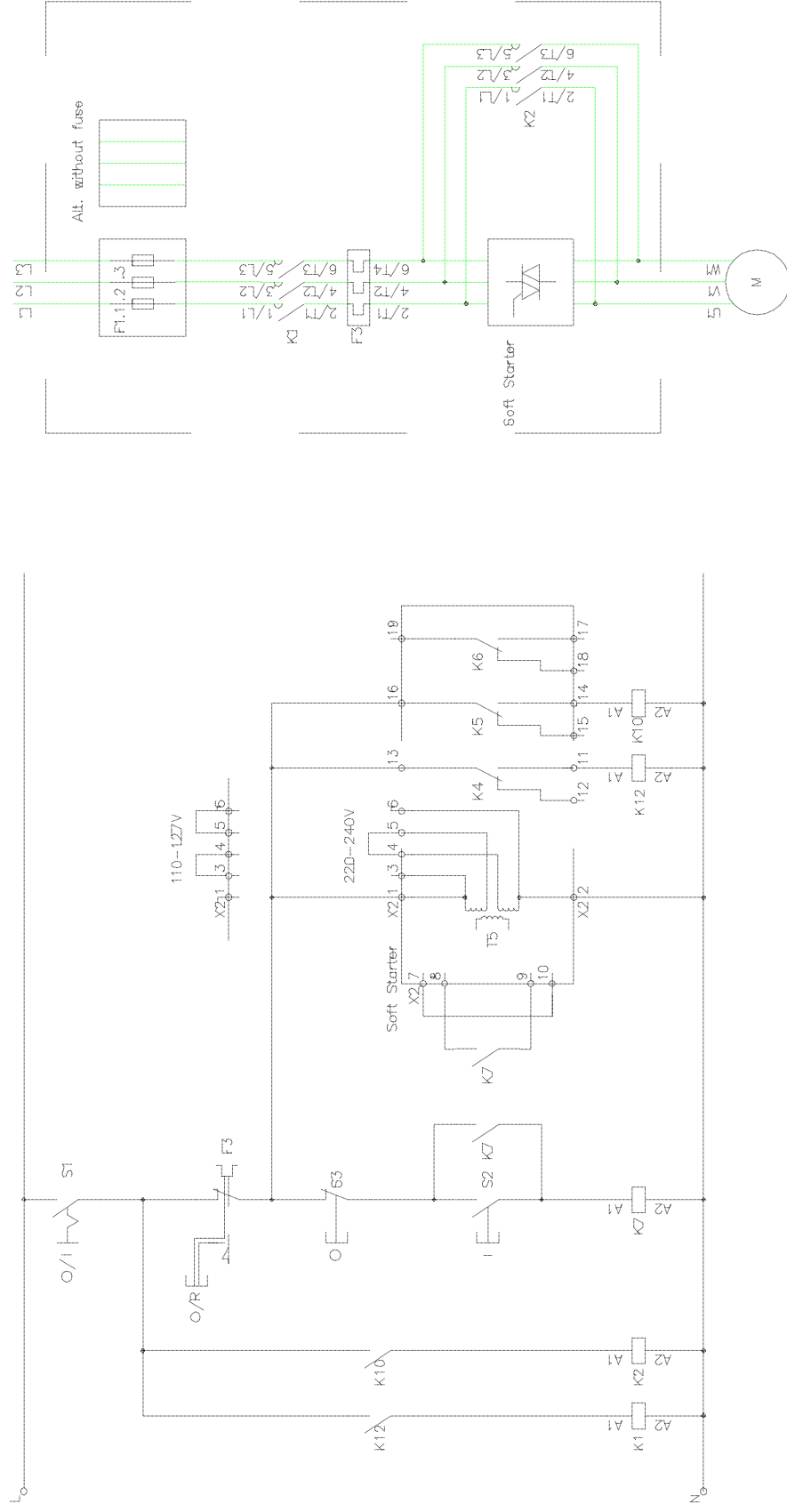
Soft Starter PS D75...300 with motor protection, softstart and By-pass.
 Main contactor open during pause



AJ05-13

I Persson		APPLICATION DIAGRAM		82		1	
I Persson		Soft Starter		5366 105-13		1	
TP		Mjukstartare		ISSUED		1	
Rev int		Appd		SECUR/80 06 05		---	
1		K10 removed, K1, K2 and fuses moved		TP 06 40		---	
		Appd		Rev		Issued	

Soft Starter PS D370...840 with motor protection, softstop and By-pass.
 Main contactor open during pause



A105-14

Rev. no.		Appd.	Year	Issue	5366 105-14		ISSUED	
1	K12 Fused, and fuses moved	TP	86	40	82	1	1	...

APPLICATION DIAGRAM

Soft Starter

Mjpkstartare

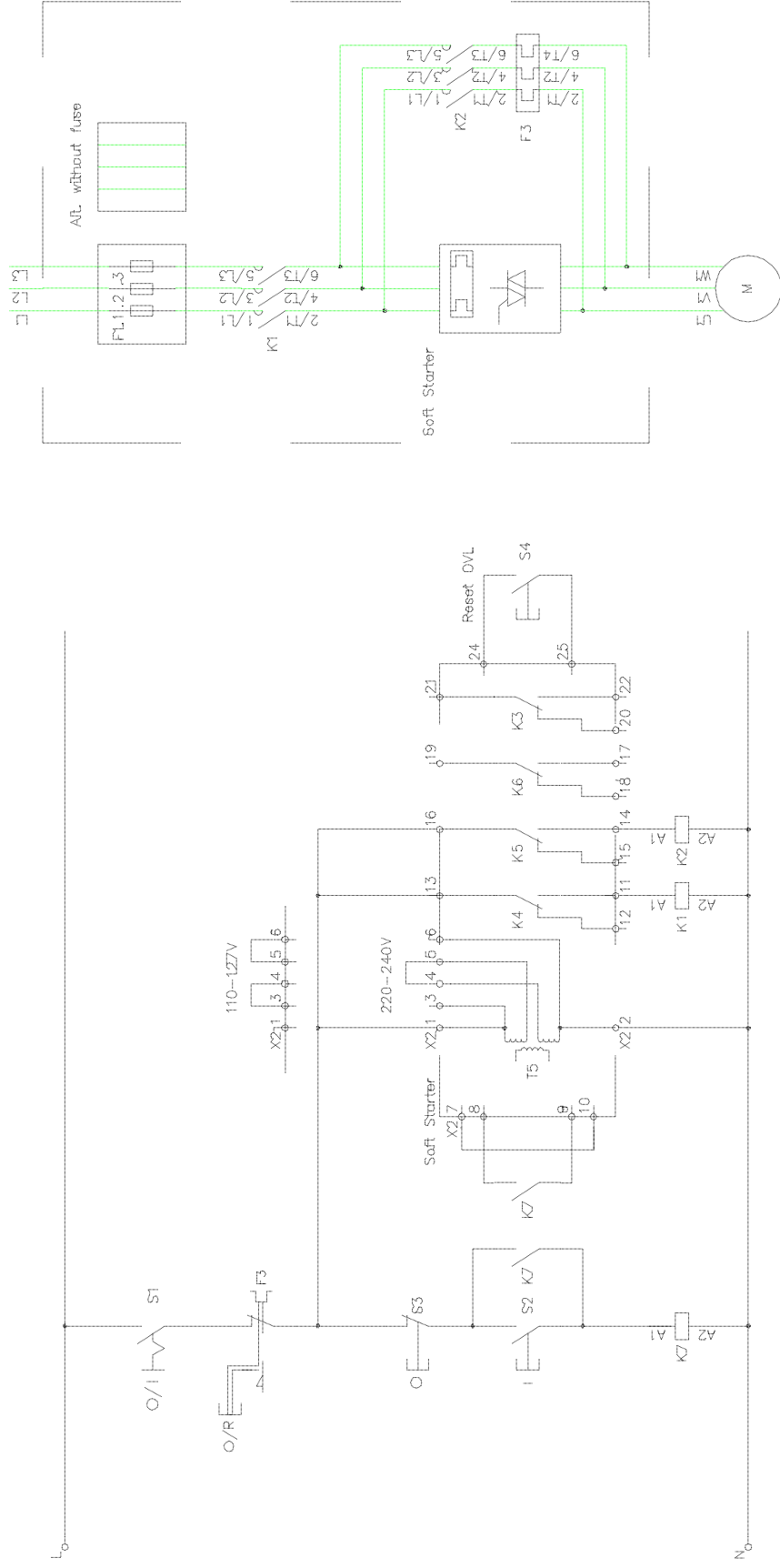
T Penisson

T Penisson

TP

SECUR/80 86 05

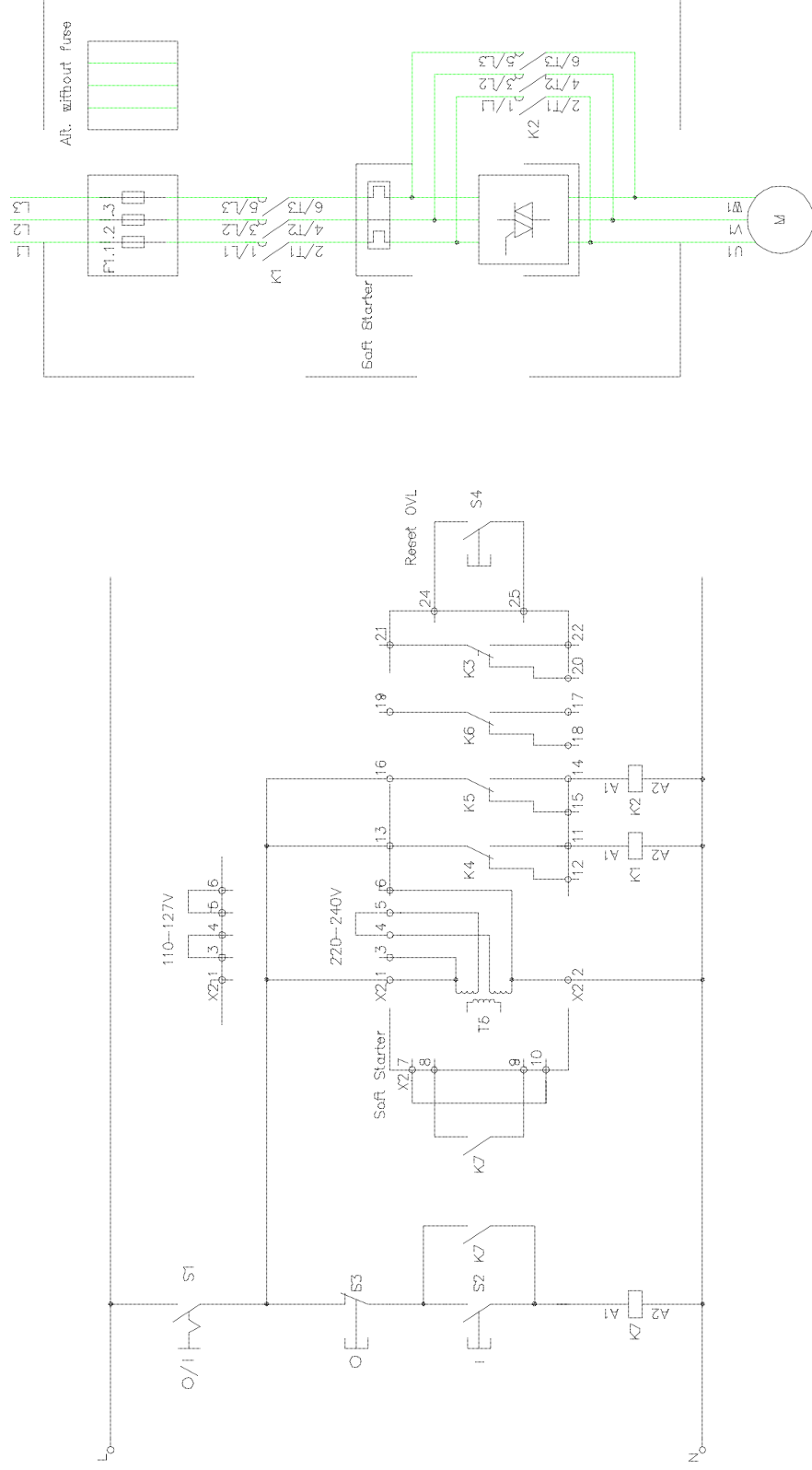
Soft Starter PS D75...145, PS DH30...110 with motor protection, softstop and By-pass.
 Main contactor open during pause



A105-15

Rev	Int	Sheet	Long	Short	Rev	Int	Cont.
2	K1 and fuses moved	TP	86	40			
1	Adjusted	TP	86	08			
			Appt	Year	Week		
			ISSUED				
			5366 105-15				
			des by Dept: Year Week				
			STCRL/80 06 05				
			ABB Control				
			APPLICATION DIAGRAM				
			Soft Starter				
			Mjukstare				
			Design checked by				
			I Persson				
			Drawing checked by				
			I Persson				
			Drawn by				
			TP				

Soft Starter PS D175...300, PS DH145...250 with motor protection, softstop and By-pass.
 The internal overload relay is working also together with By-pass.
 Main contactor open during pause



Rev int		Sheet	5366 105-16		ISSUED	
2	F3K8 removed, K12 inserted, fuses moved	TP	96	40		
1	Adjusted	TP	96	09		
Rev int		Appd	Year	Week		
Design checked by I. Pefrsson			APPLICATION DIAGRAM			
Drawing checked by I. Pefrsson			Soft Starter Mjukstartare			
Drawn by TP			ABB Control			
Iss by Dept. TEC/80			Year	Week	05 05	
Rev int		Sheet	5366 105-16		ISSUED	
2	F3K8 removed, K12 inserted, fuses moved	Long	82	1		
1	Adjusted	Rev int	05	05		

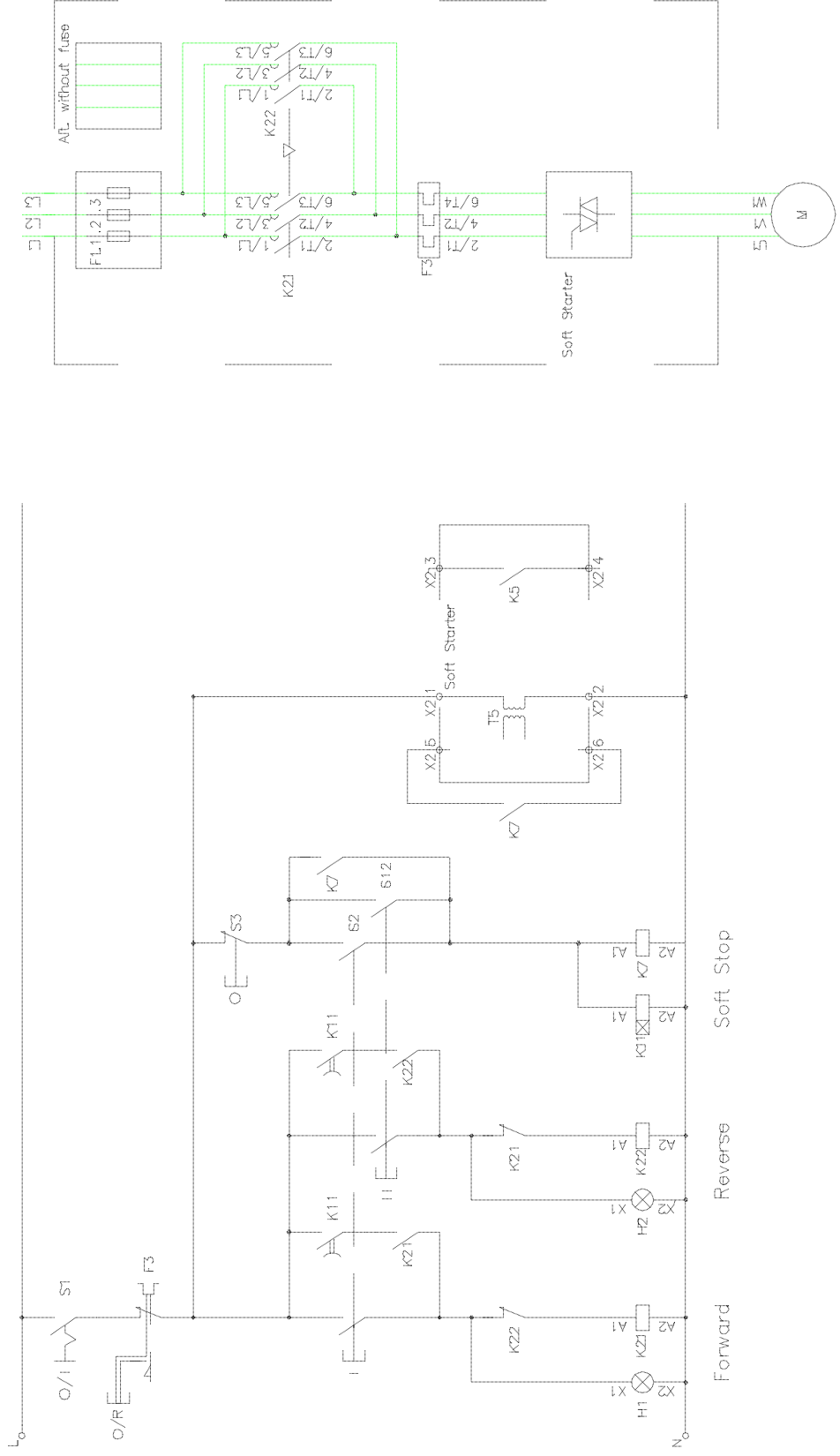
A105-16

Soft Starter PS A18...60 with reversing and softstop.

To be stopped before reversing.

Start at optional direction.

If softstop is not needed set the time for softstop to 0.5.



A105-18

APPLICATION DIAGRAM

I Perisson
I Perisson
TP

Soft Starter
Mjakstartare

2	Revised	TP	96	42
1	Adjusted	TP	96	10
		Appt	Year	Week

STORL/80 06 05 ISSUED

5366 105-18

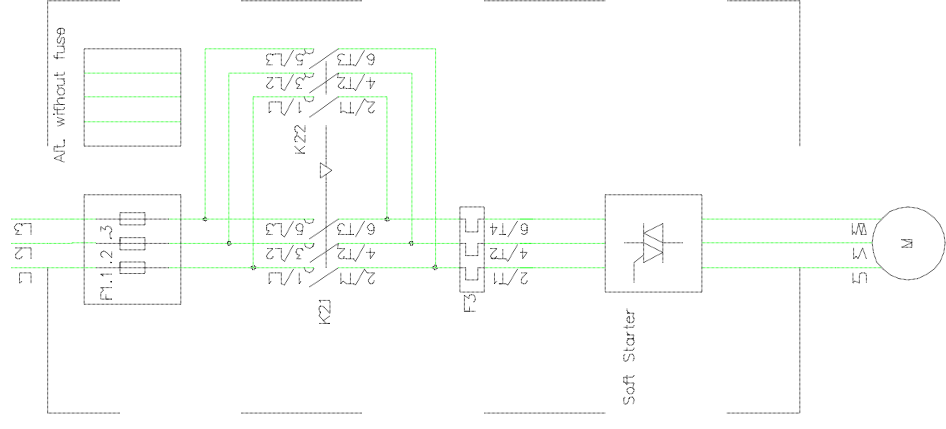
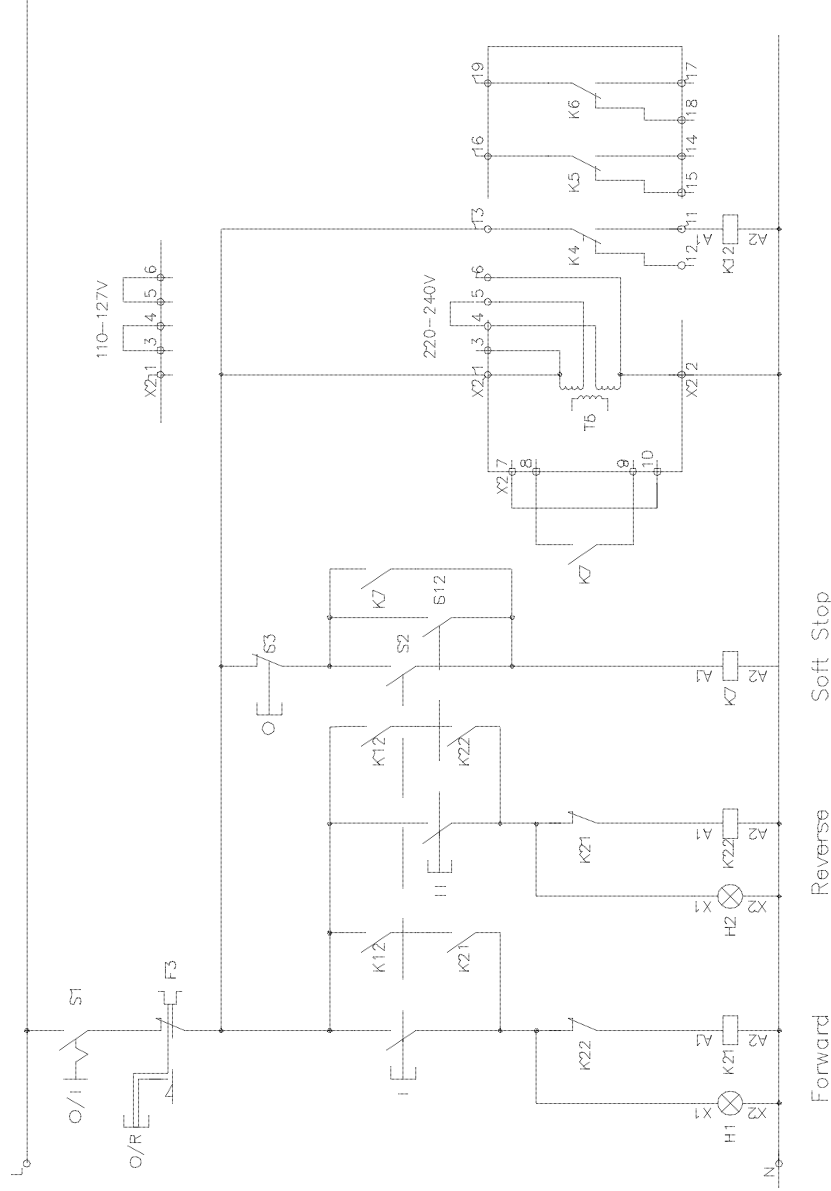
82	1
2	...

Soft Starter PS D75...300 with reversing and softstop.

To be stopped before reversing.

Start at optional direction.

If softstop is not needed set the time for softstop to 0.5.



A105-19

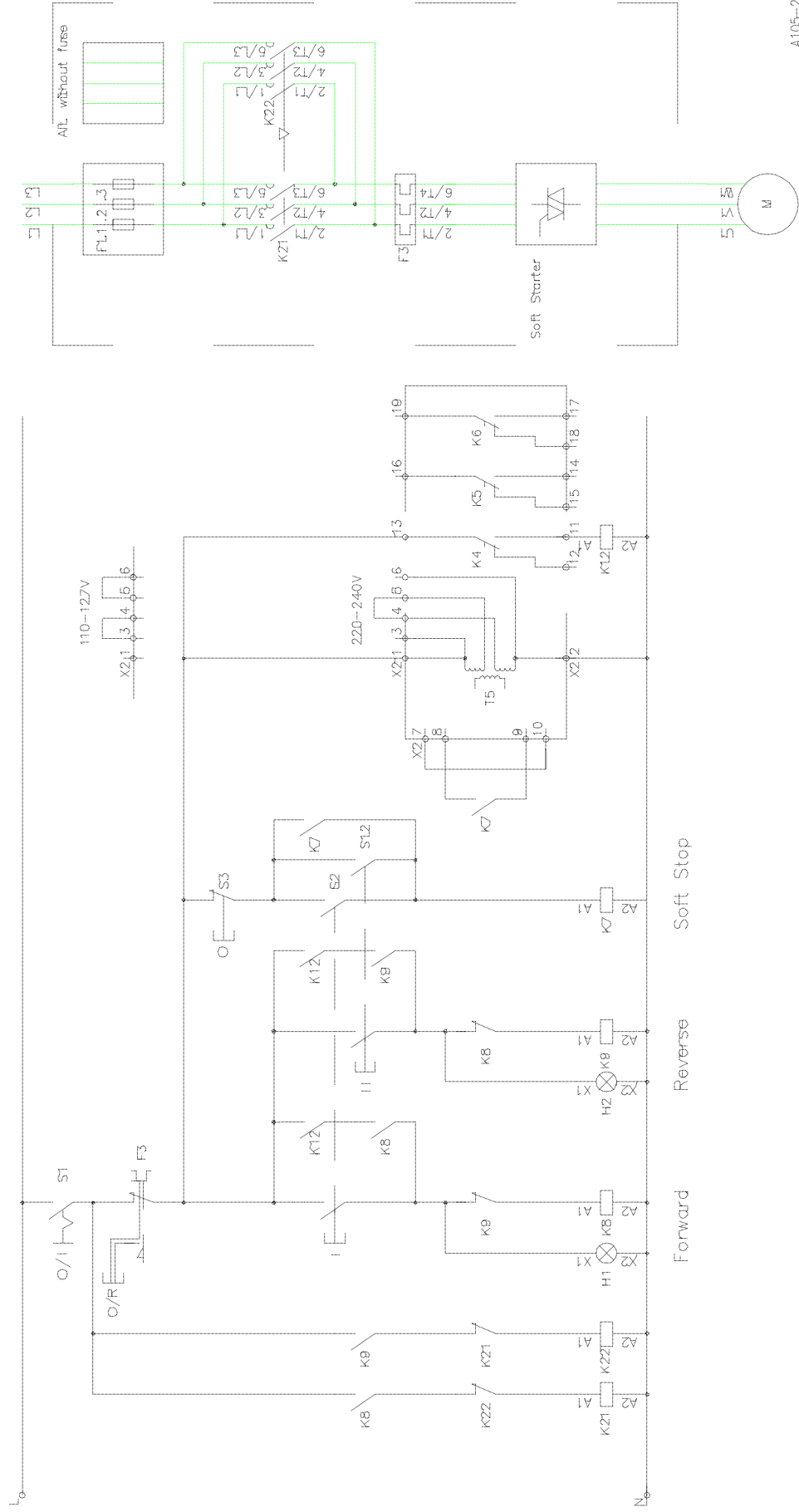
APPLICATION DIAGRAM		Soft Starter		Mjakstartare	
I Perissou		I Perissou		IP	
1	Redrawn	TP	86	42	
Rev. no.		Appl.	Year	Week	
5366 105-19			SECUR/80	06	05
ISSUED			1	82	1

Soft Starter PS D370...840 with reversing and softstop.

To be stopped before reversing.

Start at optional direction.

If softstop is not needed set the time for softstop to 0.5.



A105-20

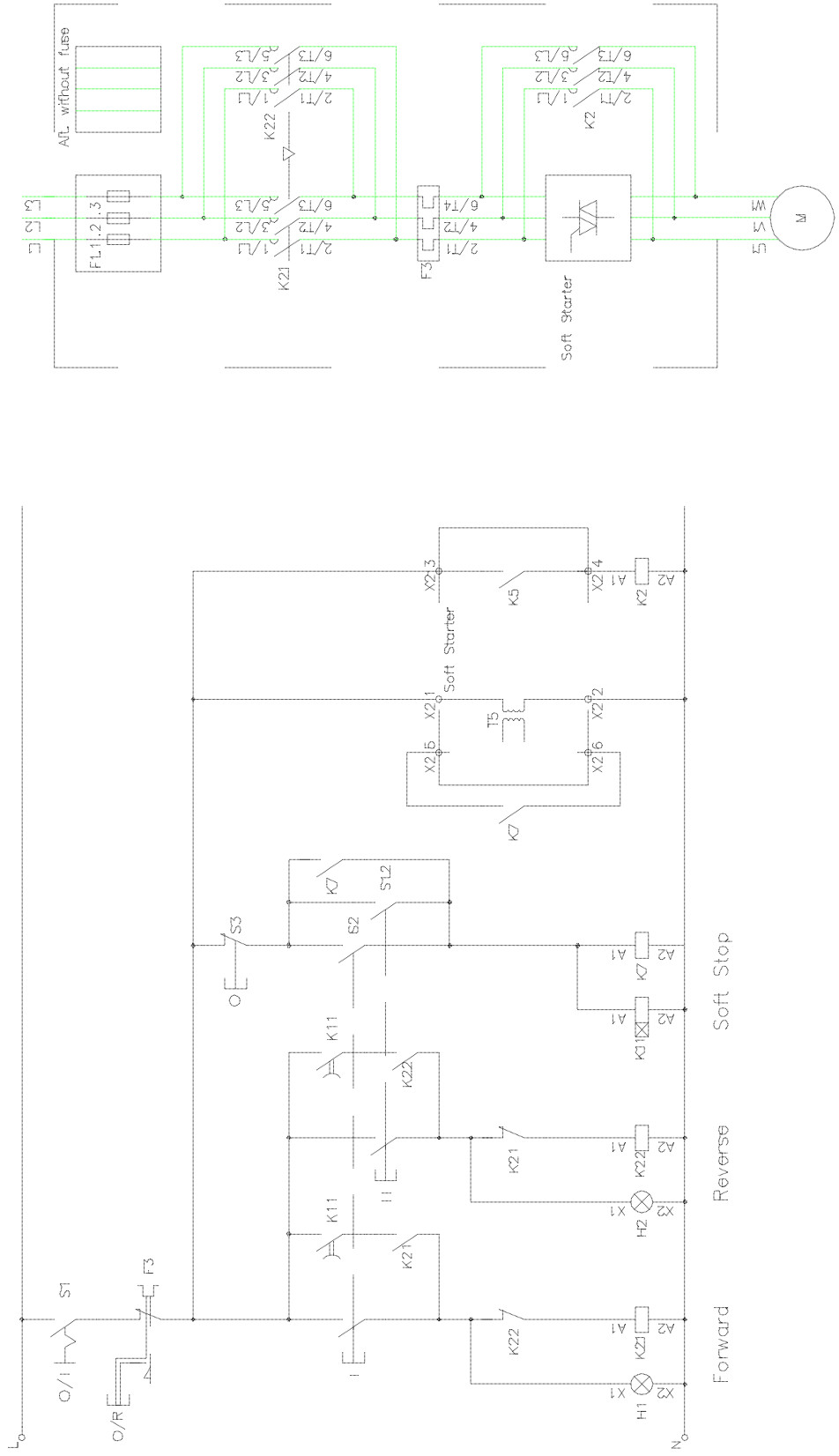
Rev. no.	1	Appd.	86	42	Year	1986
1	Redrawing	TP	86	42	Year	1986
Design checked by I. Persson Drawing checked by I. Persson Drawn by TP						
APPLICATION DIAGRAM Soft Starter Mjukstartare						
ABB Control						
Issued by: STORL/BG 05 05						
5366	105-20					
Rev. no.	1	Rev. no.	1	Sheet	82	Long Sheet
ABB						

Soft Starter PS A18...60 with reversing, By-pass and softstop.

To be stopped before reversing.

Start at optional direction.

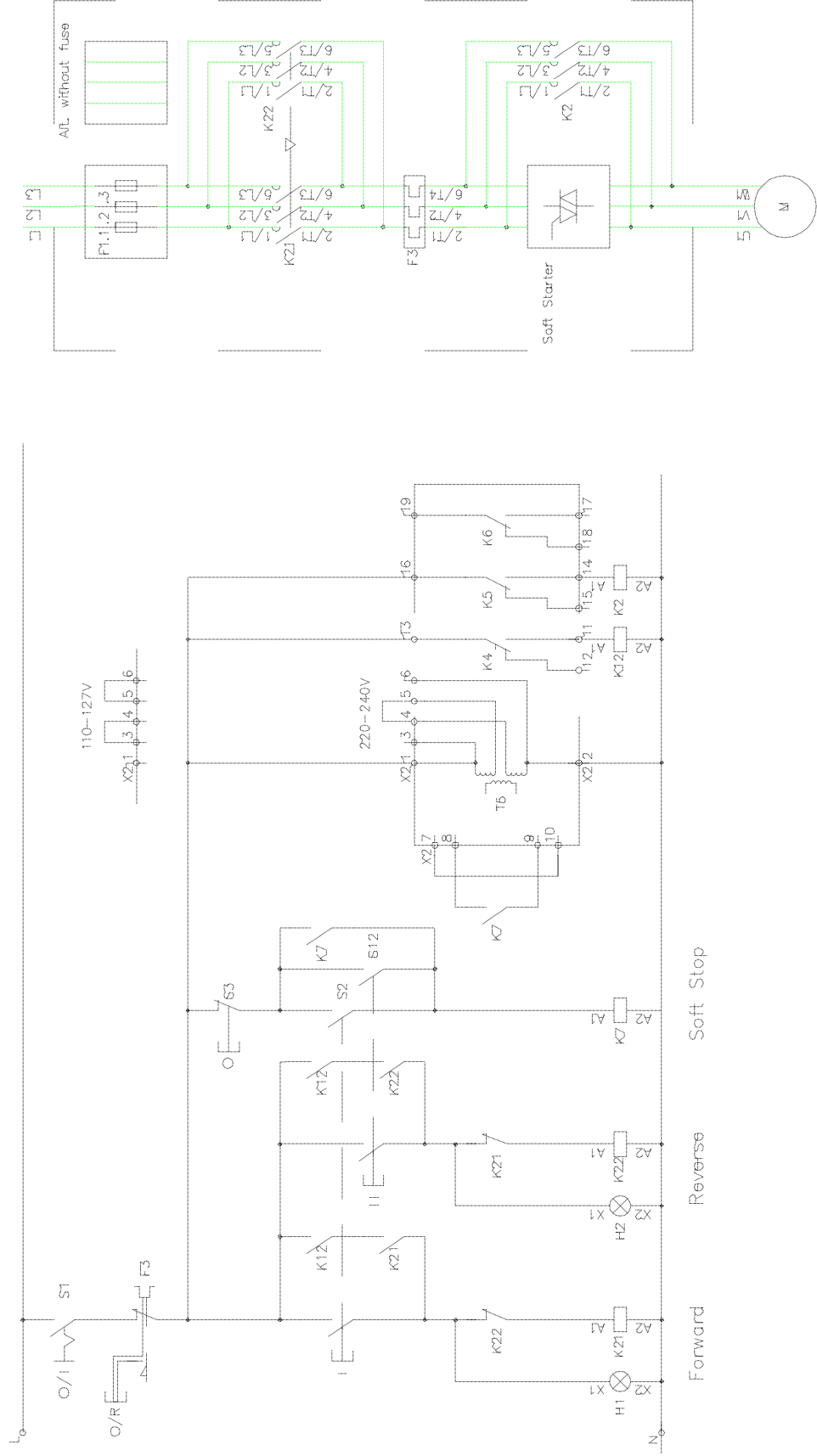
If softstop is not needed set the time for softstop to 0.5.



A105-22

APPLICATION DIAGRAM		5366 105-22		ISSUED	
Soft Starter		SECUR/80 06 05		2	
Mjakstartare				82	
I Perisson				1	
I Perisson					
IP					
2	Revised	IP	96 42		
1	Adjusted	IP	96 10		
Rev int		Appt	Year	Week	

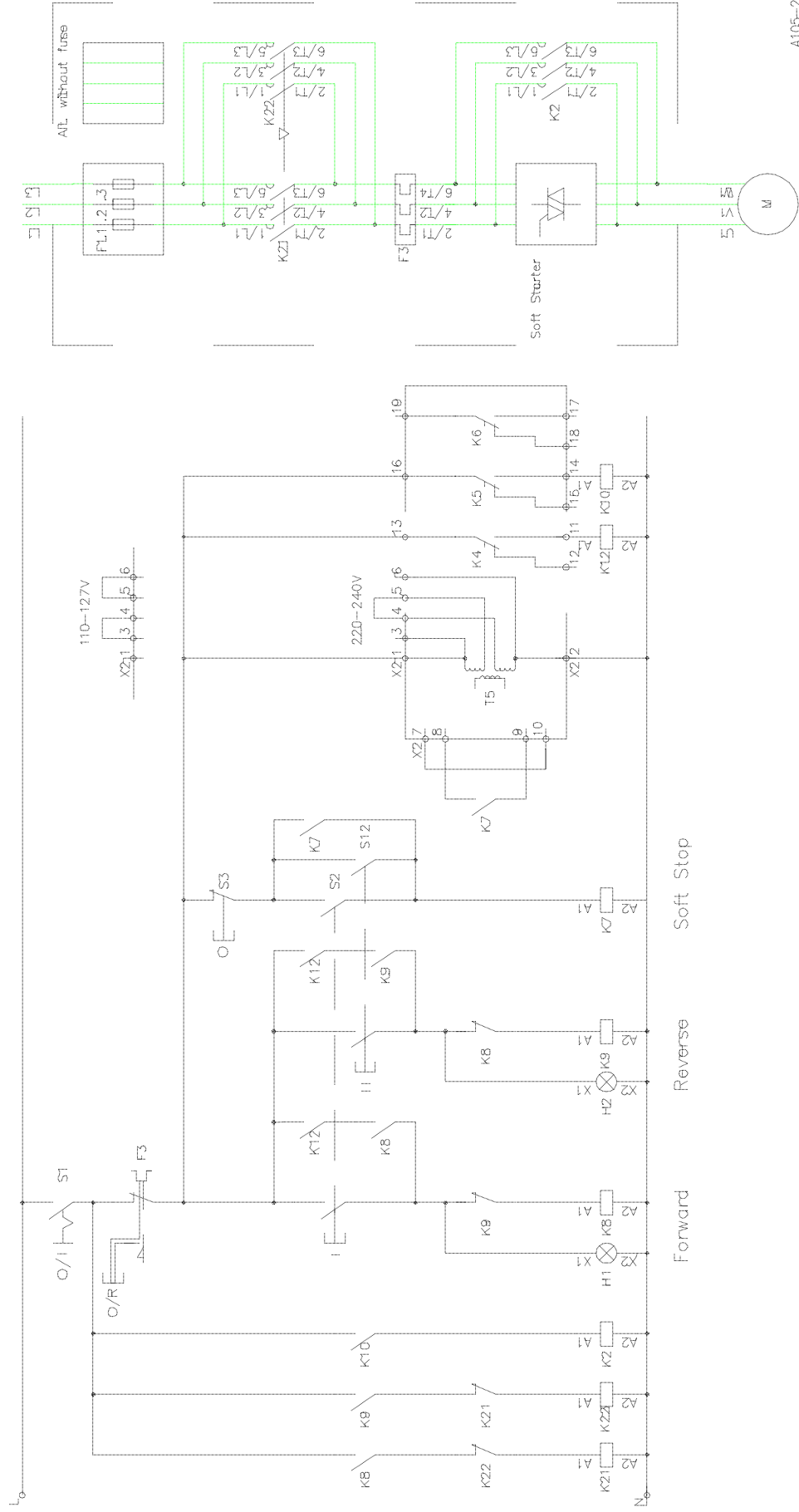
Soft Starter PS D75...300 with reversing, By-pass and softstop.
 To be stopped before reversing.
 Start at optional direction.
 If softstop is not needed set the time for softstop to 0.5.



AJ05-23

APPLICATION DIAGRAM		Soft Starter		Mjakstartare	
I Perissou		I Perissou		TP	
1 Redrawn		TP 96 42		Appd Year 1996	
Rev int		5366 105-23		SECUR/80 06 05 ISSUED	
		82		1	
		1		...	

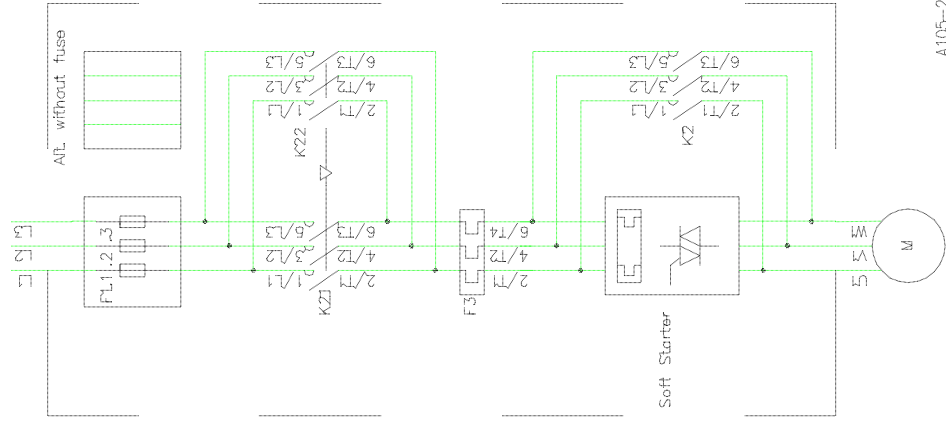
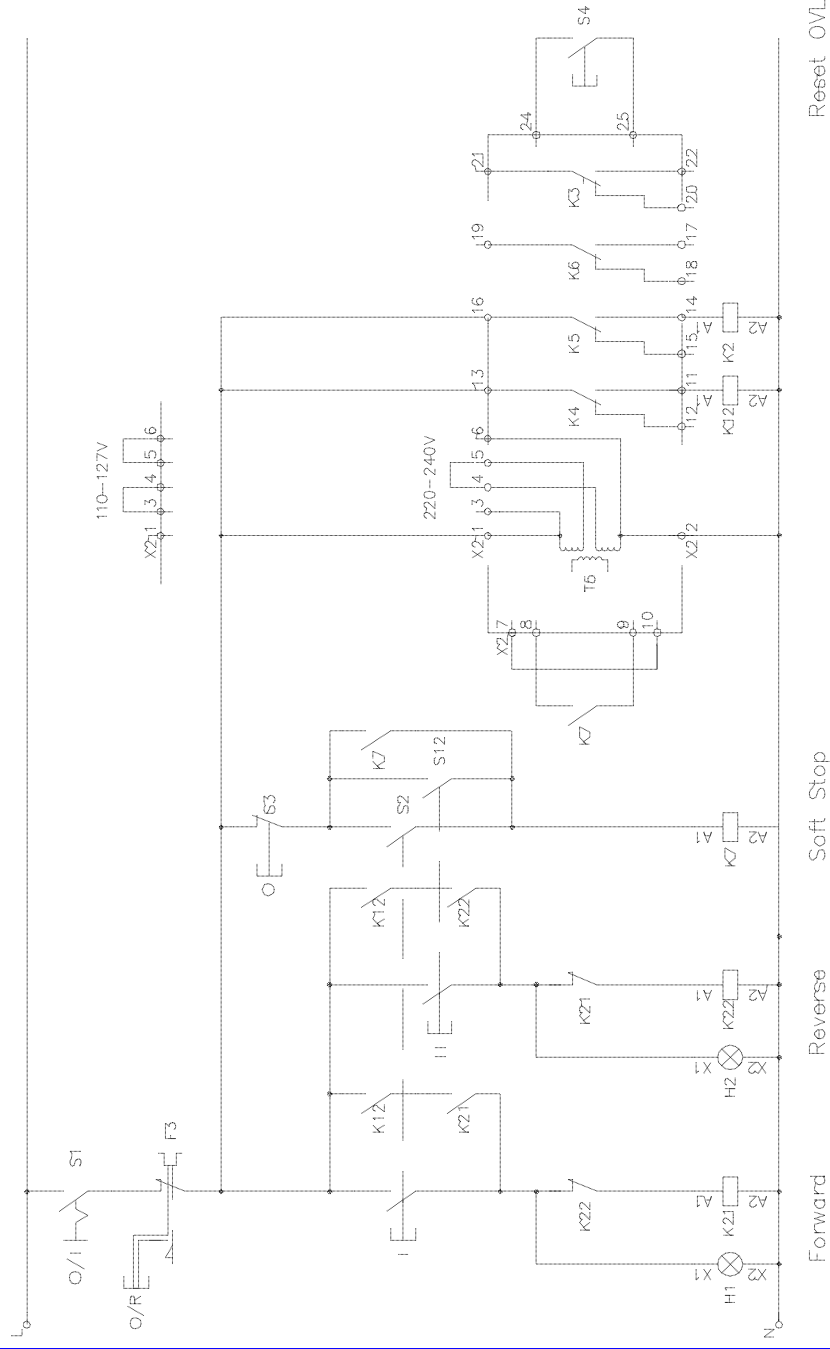
Soft Starter PS D370...840 with reversing, By-pass and softstop.
 To be stopped before reversing.
 Start at optional direction.
 If softstop is not needed set the time for softstop to 0.5.



A105-24

Rev. no.	1	Redrawn	TP	86	42	Appd.	Year	Week	SECRL/80	86	05	ISSUED	5366	105-24	82	1
	1	...														

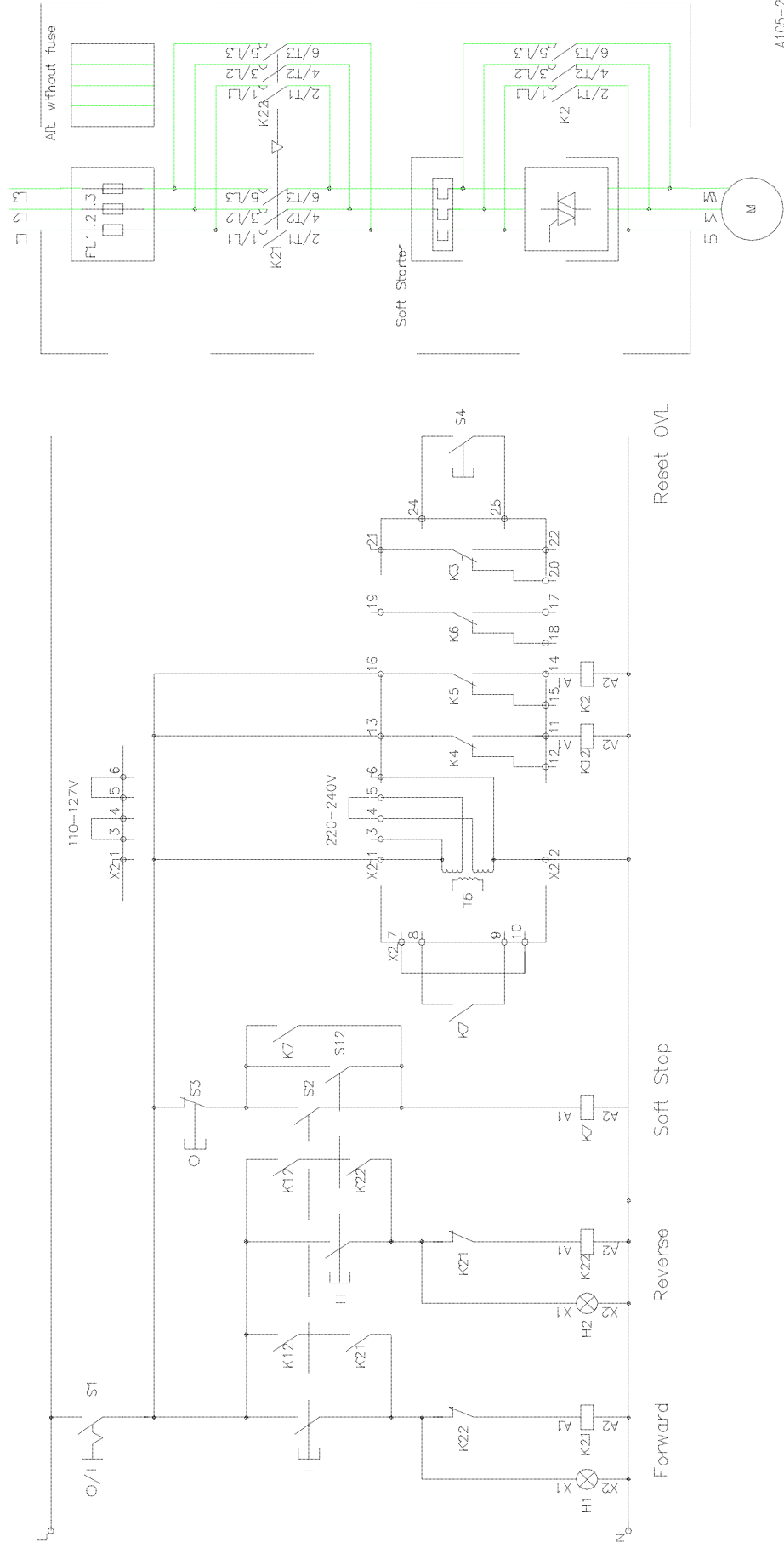
Soft Starter PS D75...145, PS DH30...110 with reversing, By-pass and softstop.
 To be stopped before reversing.
 Start at optional direction.
 If softstop is not needed set the time for softstop to 0.5.



AJ05-26

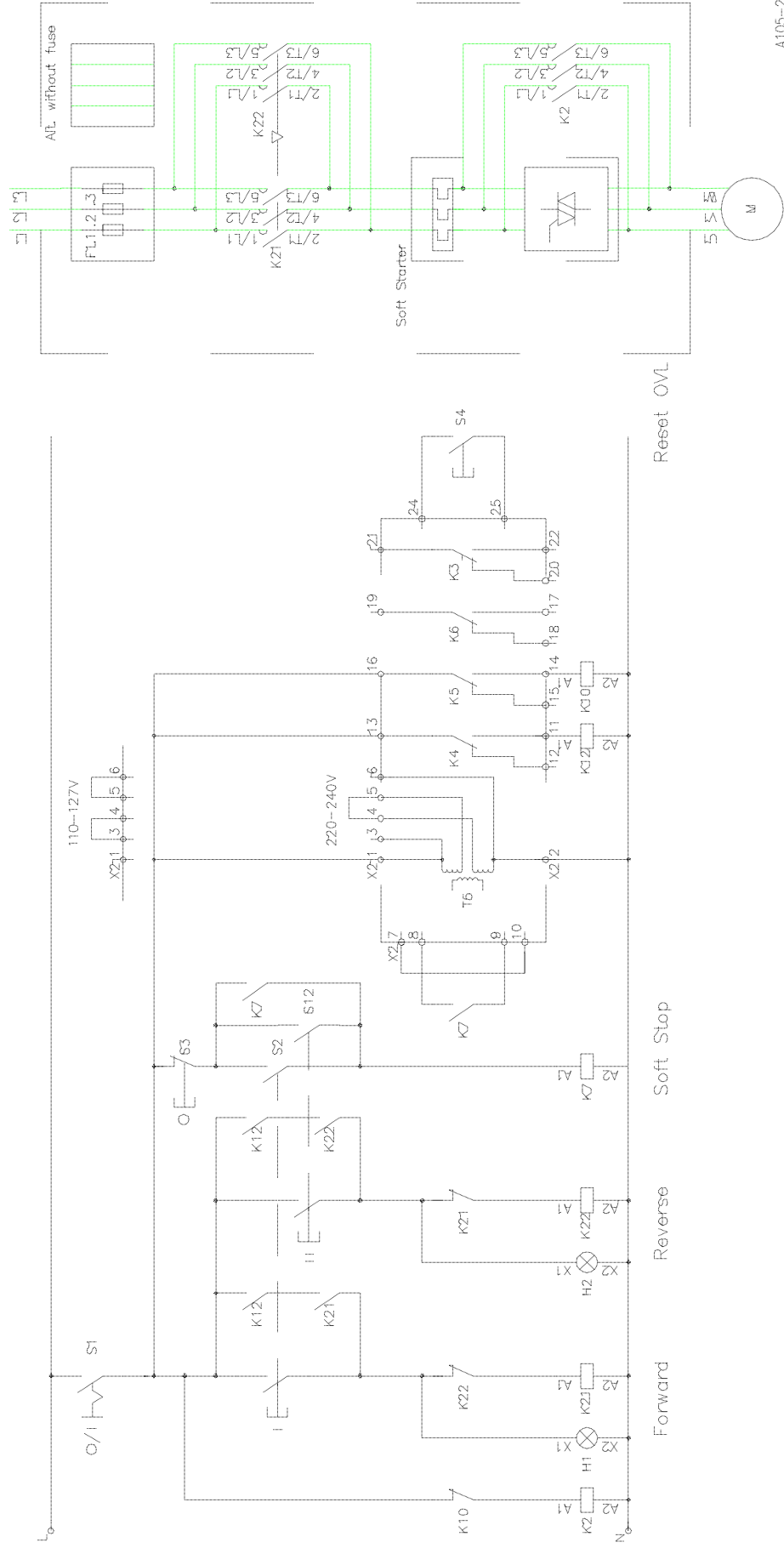
I Perissos		APPLICATION DIAGRAM		5366 105-25		ISSUED	
I Perissos		Soft Starter		SECUR/80 06 05		1	
TP		Mjakstartare				82	
1		Revised		Appd		1	
Rev int		Yor		Work		...	

Soft Starter PS D175...300, PS DH145...250 with reversing, By-pass and softstop.
 To be stopped before reversing.
 Start at optional direction.
 If softstop is not needed set the time for softstop to 0.5.
 The internal overload relay is working also together with By-pass.



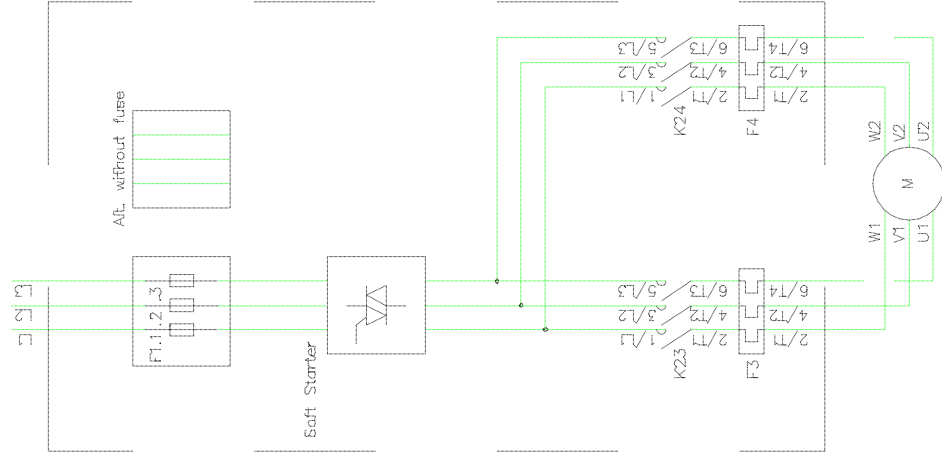
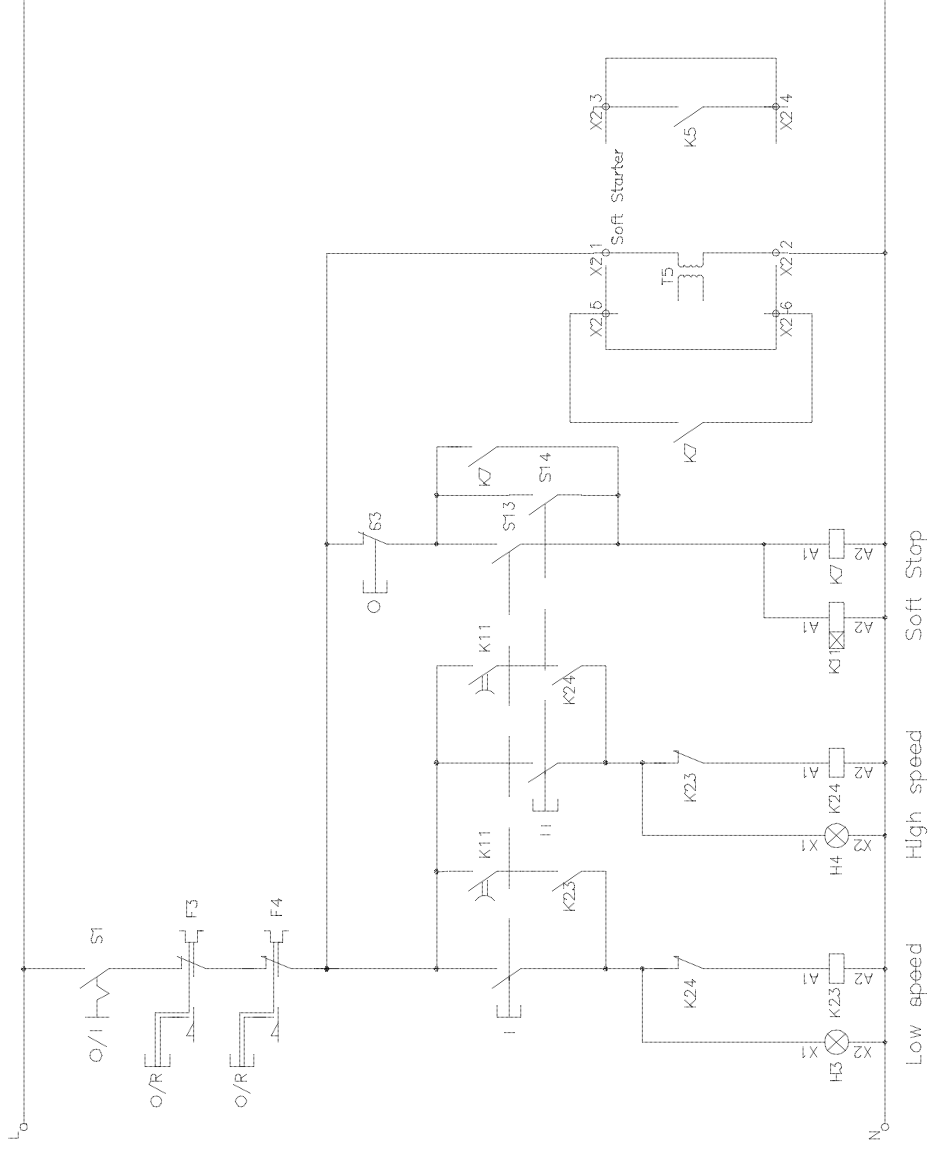
1		Redrawn	TP	96	42	Appd	Yor	Ibssk	SECUR/80	06	05	ISSUED	5366 105-26		82	1
1													1	...		

Soft Starter PS D370...840, PS DH300...720 with reversing, By-pass and softstop.
 To be stopped before reversing.
 Start at optional direction.
 If softstop is not needed set the time for softstop to 0.5.
 The internal overload relay is working also together with By-pass.



A105-27		5366 105-27		ISSUED	
APPLICATION DIAGRAM		Soft Starter		Mjpkstartare	
I Persson		I Persson		SECUR/80 06 05	
TP		TP		1	
1 Redman		TP 96 42		82	
Rev int		Appl Year Week		1	
				...	

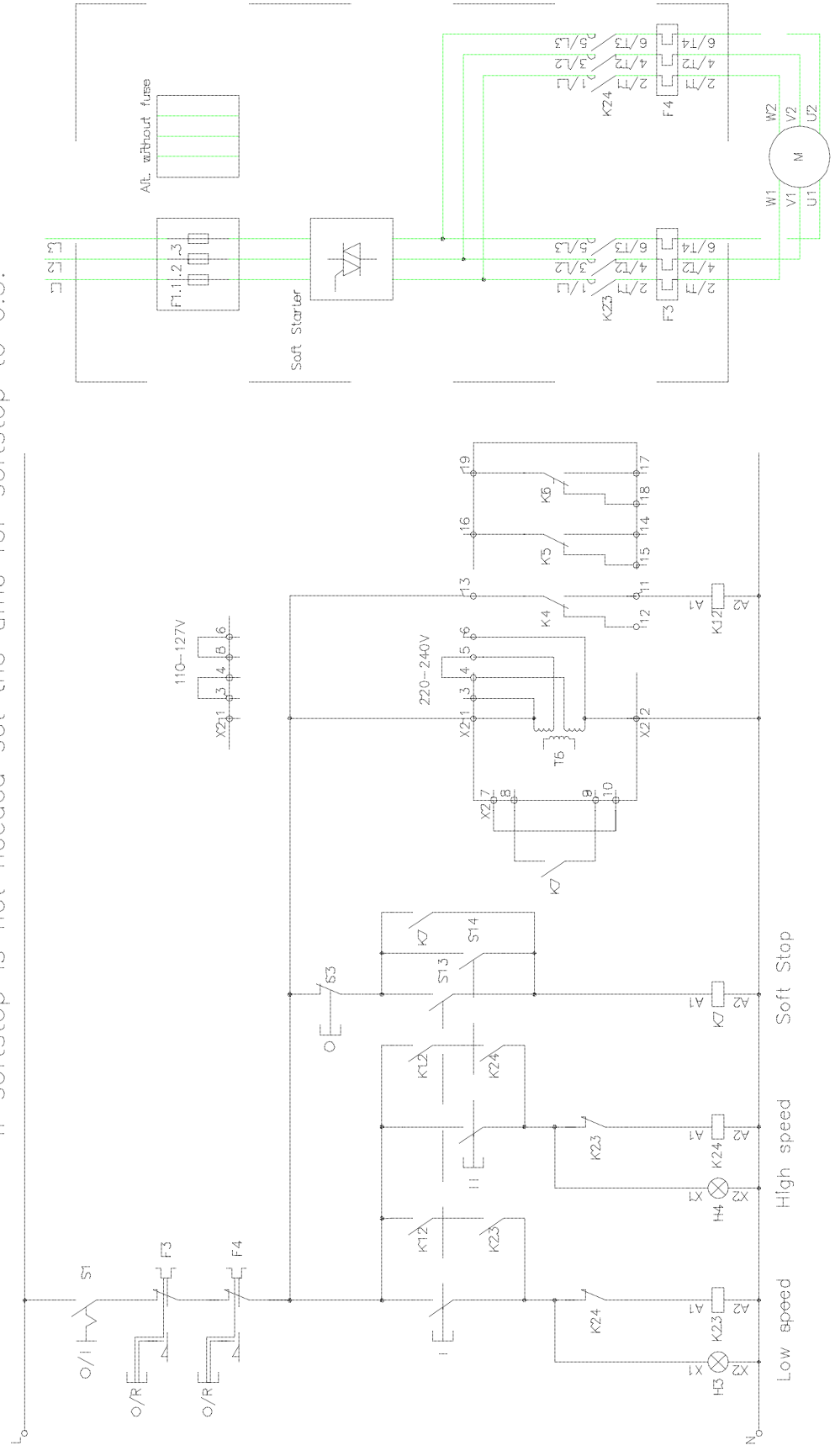
Soft Starter PS A18...60 with pole-changing and softstop.
 To be stopped before change of speed.
 Start at optional speed.
 For motor with two winding.
 If softstop is not needed set the time for softstop to 0.5.



A105-28

Rev. no.	Appt.	Year	Week	ISSUED	5366 105-28	Rev. no.	Cont.	1	Sheet	82	Rev. no.	Sheet	1		
	Des. by	TP	Checked by	TP										Issued by	SECUR/BB
ABB Control				APPLICATION DIAGRAM				Soft Starter				Mjpkstortare			
Design checked by				I. Pajrsson				Drawing checked by				I. Pajrsson			
Drawn by				TP				Grava by				TP			
Application				Soft Starter				Mjpkstortare				Soft Starter			
APP				ABB				ABB				ABB			

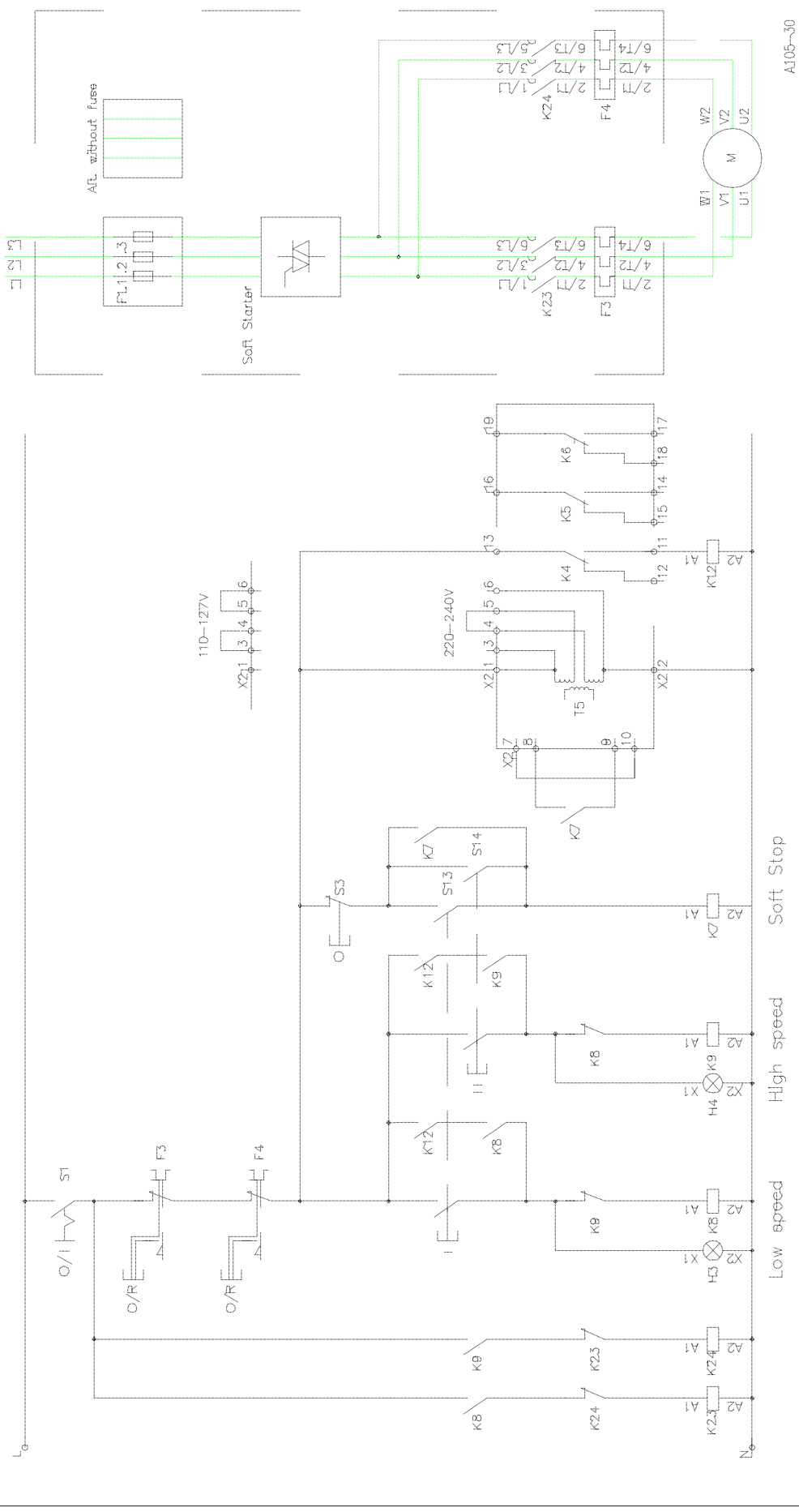
Soft Starter PS D75...300 with pole-changing and softstop.
 To be stopped before change of speed.
 Start at optional speed.
 For motor with two winding.
 If softstop is not needed set the time for softstop to 0.5.



A105-29

Rev. no.	Issued	Year	Week	Appd.	Work
Design checked by I. Perissod Drawing checked by I. Perissod Drawn by TP					
APPLICATION DIAGRAM Soft Starter Mjaketartare					
Issued by: ABB Control					
Issued by: SECUR/BO D6 42					
5366 105-29					
Rev. no.	Sheet	Long	Sheet	Rev. no.	Cont.
	82	1	1		...

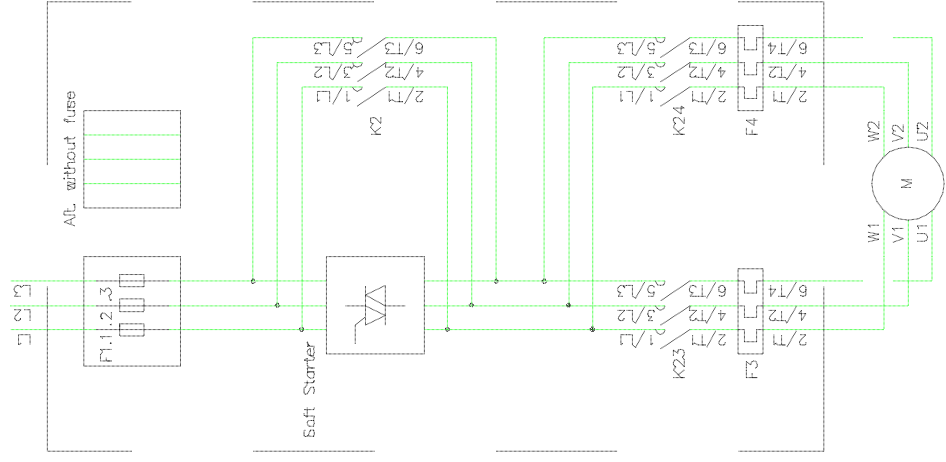
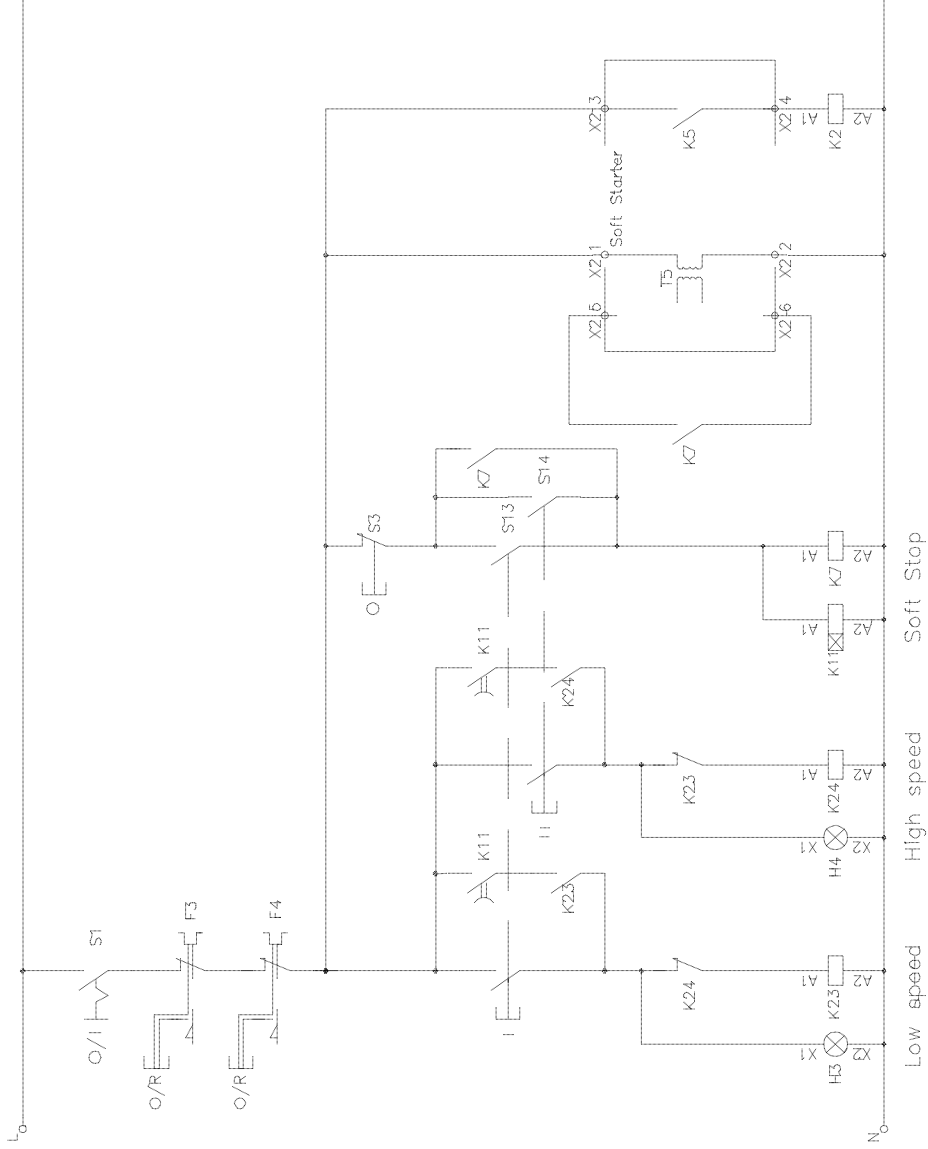
Soft Starter PS D370...840 with pole-changing and softstop.
 To be stopped before change of speed.
 Start at optional speed.
 For motor with two winding.
 If softstop is not needed set the time for softstop to 0.5.



AJ05-30

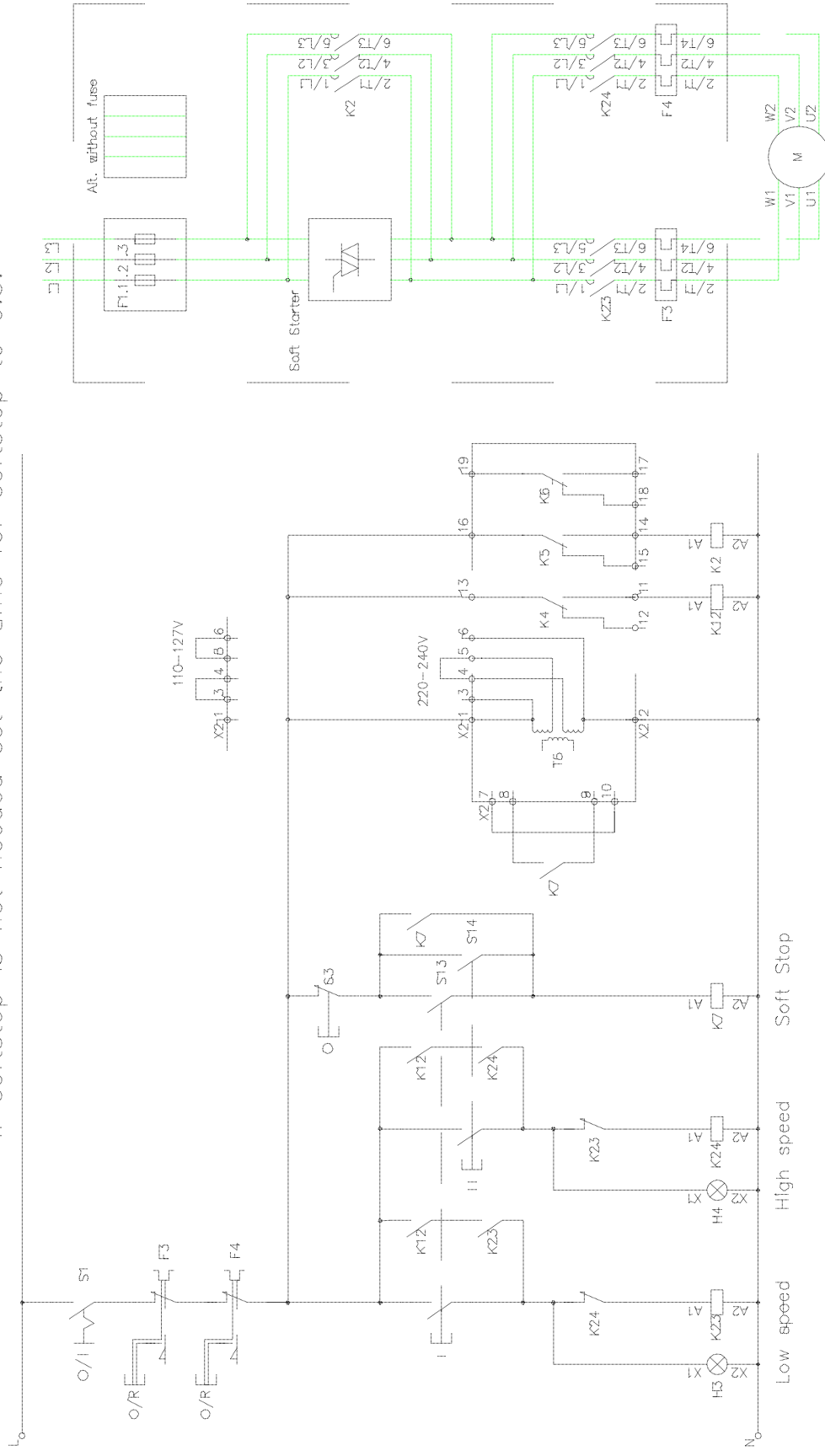
Rev. int.	Appl.	Year	Week	SECUR/80 06 42	ISSUED	82	1	...
						5366 105-30		
				APPLICATION DIAGRAM				
				Soft Starter				
				Mjakstartare				
				I Perissos				
				I Perissos				
				IP				

Soft Starter PS A18...60 with pole-changing, By-pass and softstop.
 To be stopped before change of speed.
 Start at optional speed.
 For motor with two winding.
 If softstop is not needed set the time for softstop to 0.5.



I Persson		APPLICATION DIAGRAM Soft starter Mjukstartare	SECUR/80 06 42	ISSUED	1	82
I Persson						
IP						...
Rev	Int	Appt	Year	Issue		

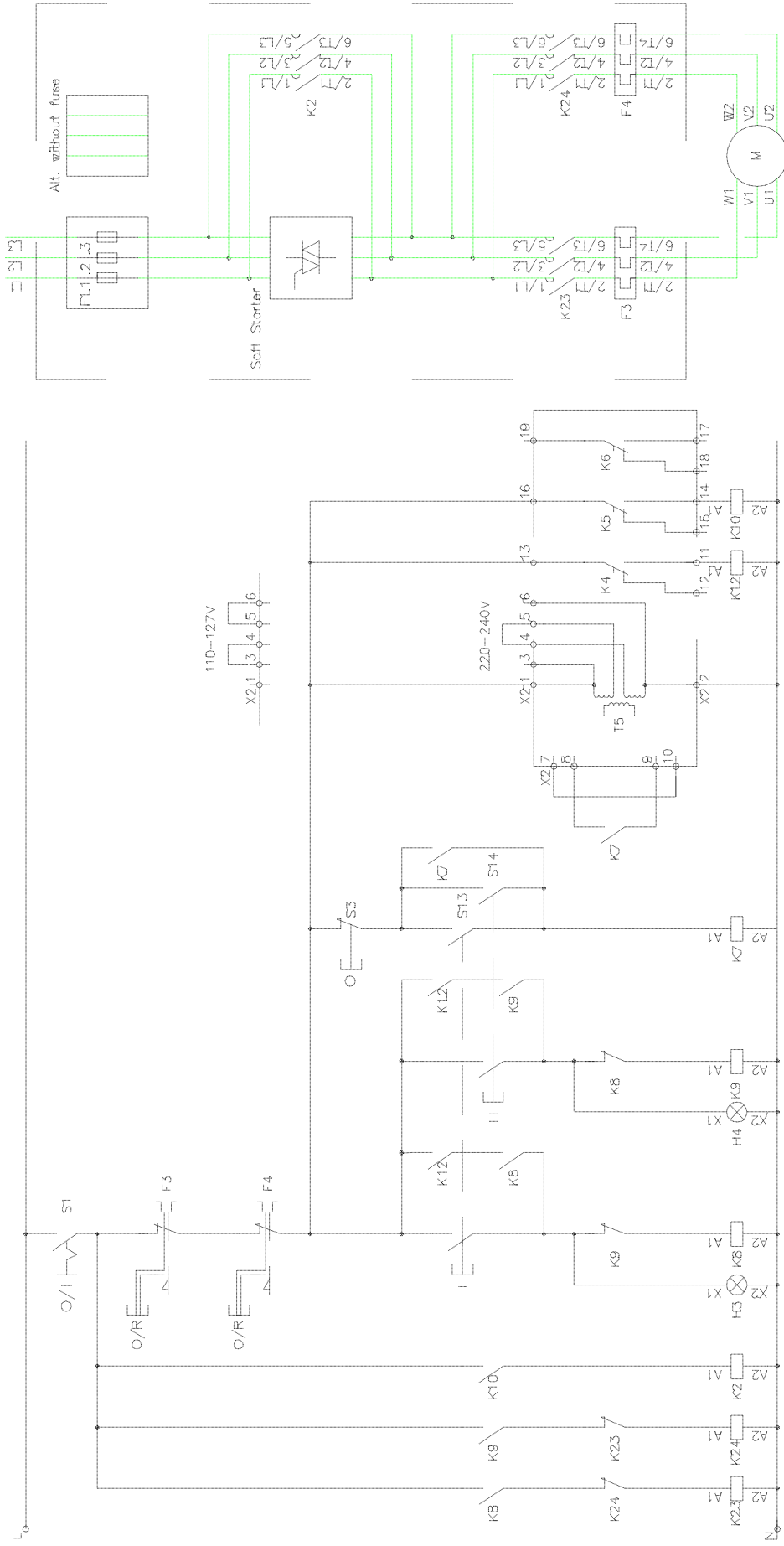
Soft Starter PS D75...300 with pole-changing, By-pass and softstop.
 To be stopped before change of speed.
 Start at optional speed.
 For motor with two winding.
 If softstop is not needed set the time for softstop to 0.5.



AJ05-32

Rev. no.	Sheet	Rev. no.	Sheet
Appd.	Year	Issued	Rev. no.
Design checked by I. Pajssod		APPLICATION DIAGRAM	
Drawing checked by I. Pajssod		Soft Starter	
Drawn by I.P.		Mjakstartare	
		ABB Control	
		Issued by SECUR/BO D6 42	
		5366 105-32	
		Long Sheet	
		Rev. no. 1	

Soft Starter PS D370...840 with pole-changing, By-pass and softstop.
 To be stopped before change of speed.
 Start at optional speed.
 For motor with two winding.
 If softstop is not needed set the time for softstop to 0.5.



A105-33

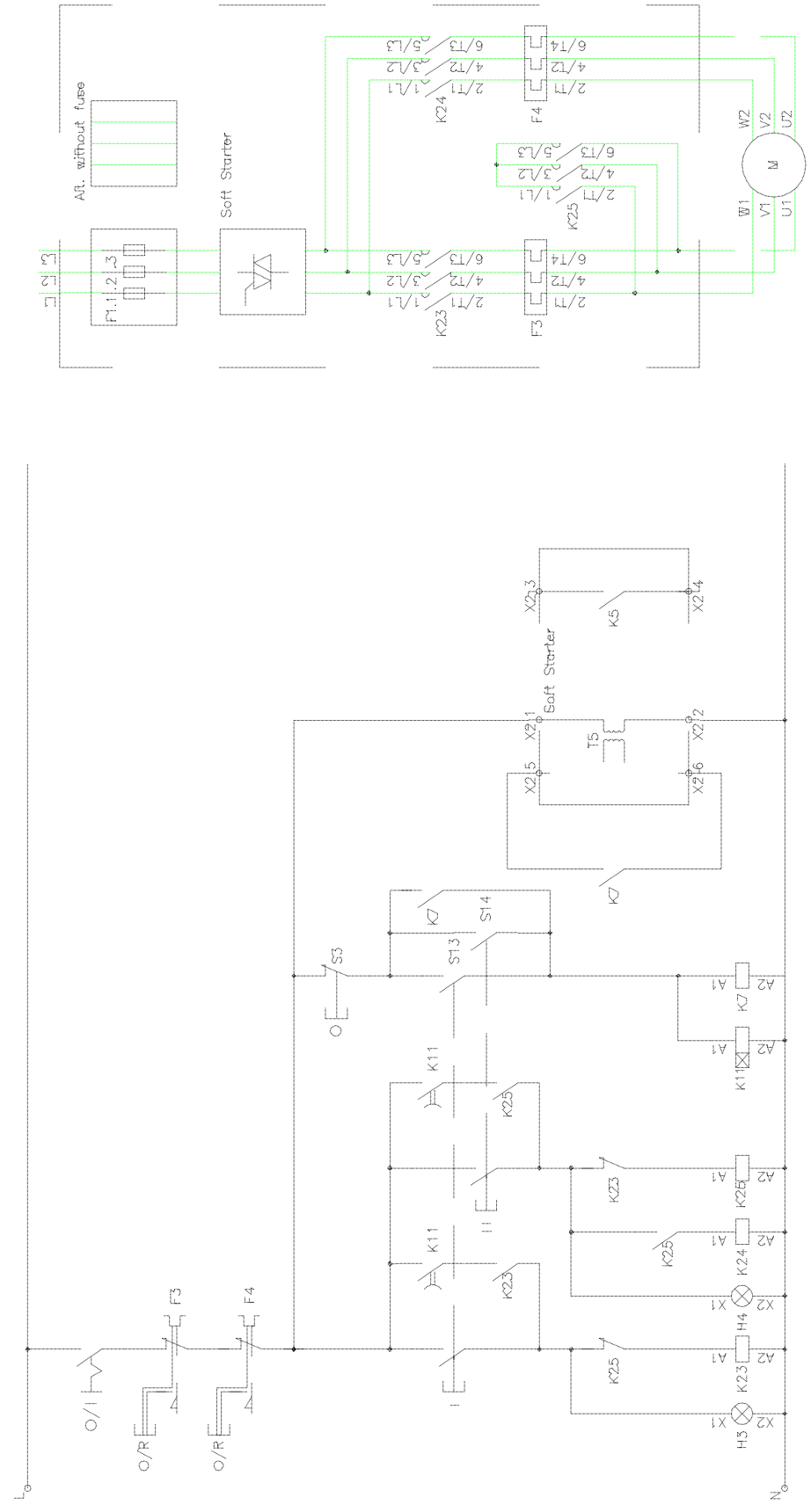
Rev. int.	Appl.	Year	Issue	STDR/80 06 42	ISSUED	5366 105-33	82	1	...
-----------	-------	------	-------	---------------	--------	-------------	----	---	-----

APPLICATION DIAGRAM
 Soft Starter
 Mjapakstartare

T Perisson
 T Perisson
 TP

Low speed
 High speed
 Soft Stop

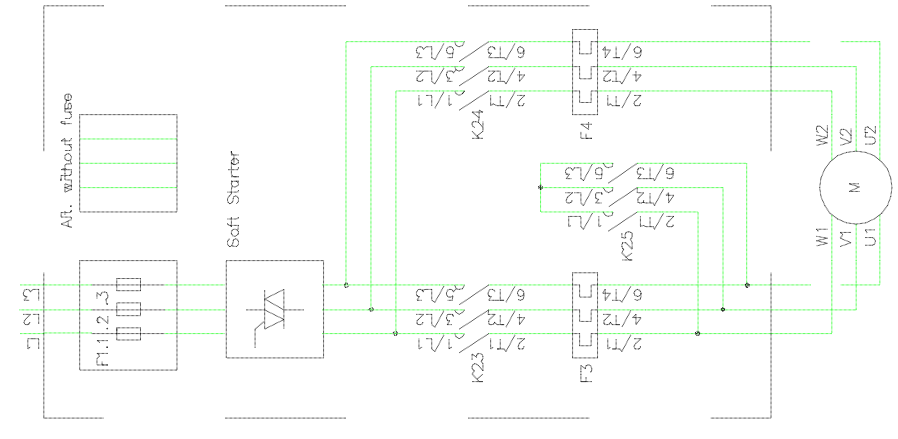
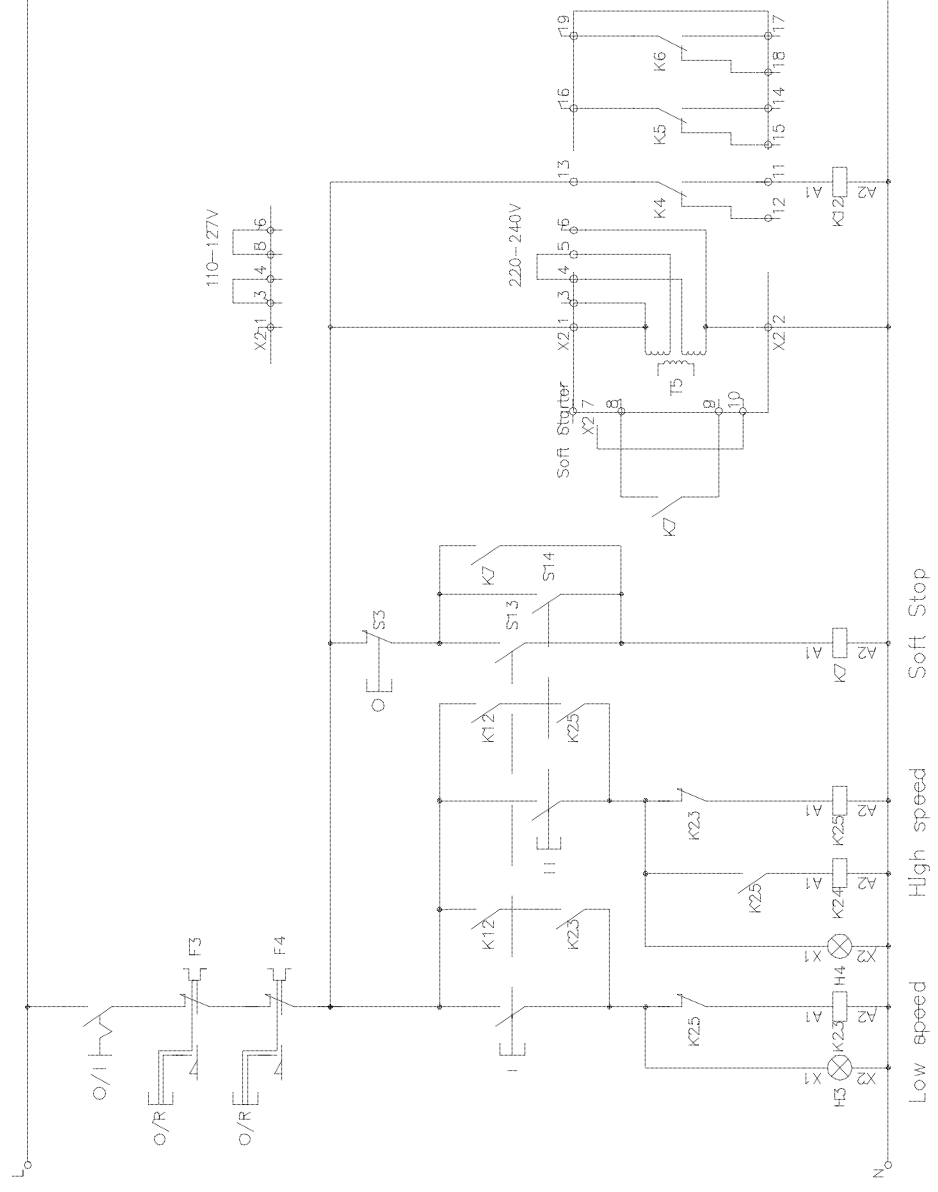
Soft Starter PS A18...60 with pole-changing and softstop.
 To be stopped before change of speed.
 Start at optional speed.
 For motor with one winding (Dahlander).
 If softstop is not needed set the time for softstop to 0.5.



A105-34

Rev. int.	Appt.	Year	Week	ISSUED	SECUR./80 06 42	82	1	...
				5366 105-34				
				APPLICATION DIAGRAM Soft Starter Mjukstartare				
				I Persson I Persson TP				

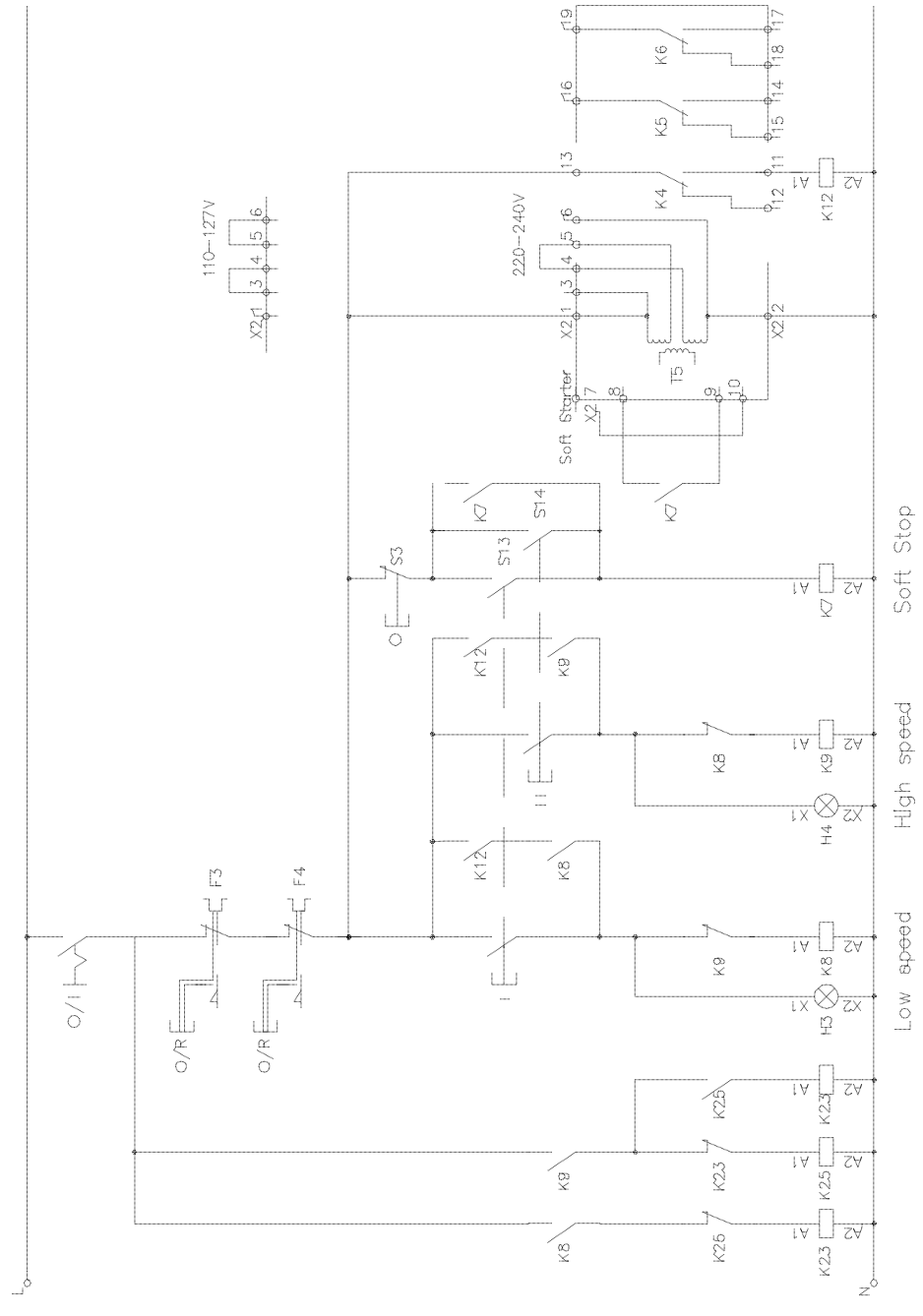
Soft Starter PS D75...300 with pole-changing and softstop.
 To be stopped before change of speed.
 Start at optional speed.
 For motor with one winding (Dahlander).
 If softstop is not needed set the time for softstop to 0.5.



AJ105-35

Rev. int.	Appl.	Year	Issue	ISSUED	82	1	...
				SECUR/80 06 42	5366 105-35		
				APPLICATION DIAGRAM			
				Soft Starter			
				Mjukstartare			
				I Persson			
				I Persson			
				TP			

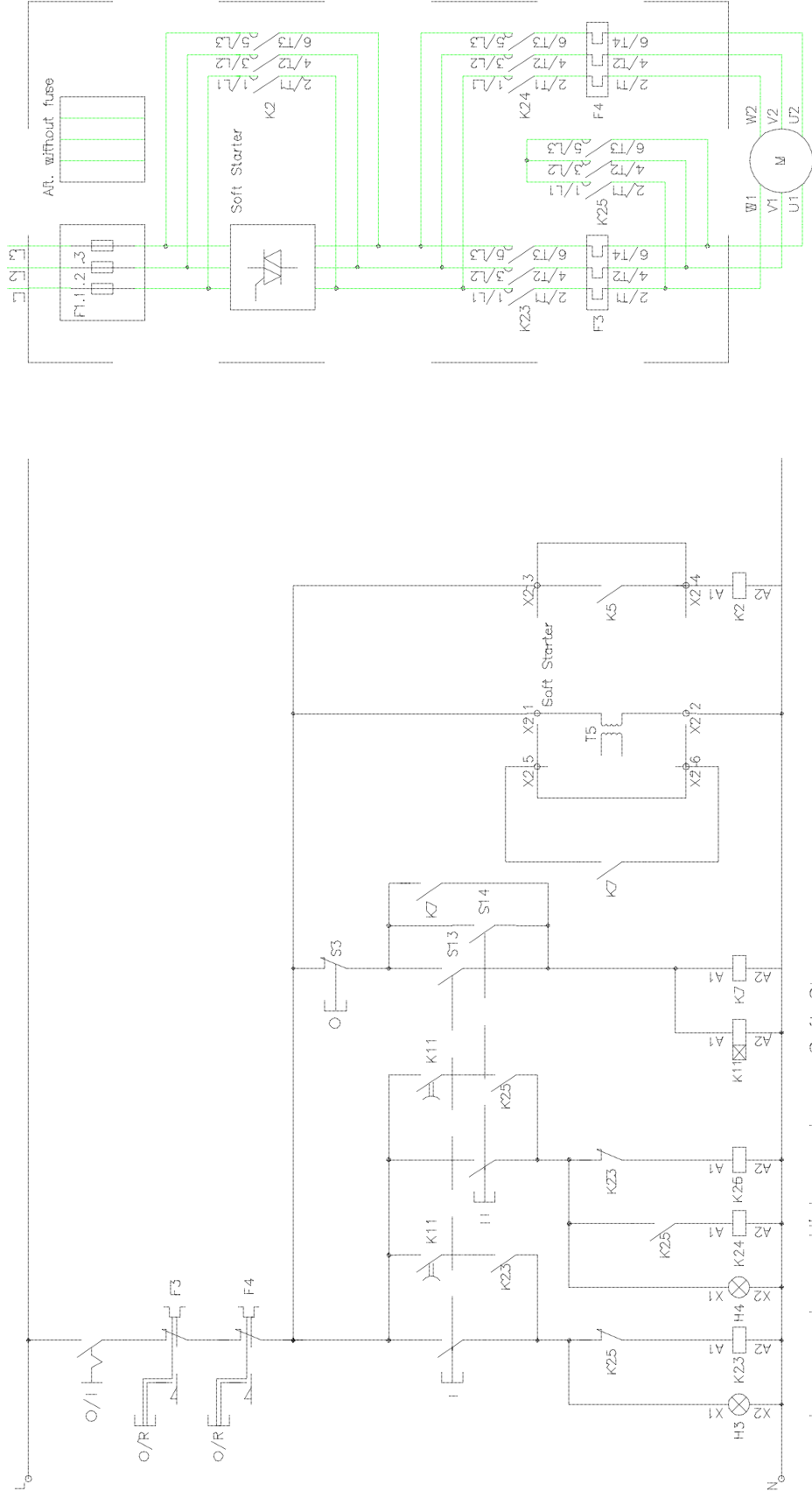
Soft Starter PS D370...840 with pole-changing and softstop.
 To be stopped before change of speed.
 Start at optional speed.
 For motor with one winding (Dahlander).
 If softstop is not needed set the time for softstop to 0.5.



A105-36

Rev. int.	Appl.	Year	Week	ISSUED	82	1	...
				SECUR/80 06 42	5366 105-36		
				APPLICATION DIAGRAM			
				Soft Starter			
				Mjukstartare			
				I Persson			
				I Persson			
				TP			

Soft Starter PS A18...60 with pole-changing, By-pass and softstop.
 To be stopped before change of speed.
 Start at optional speed.
 For motor with one winding (Dahlander).
 If softstop is not needed set the time for softstop to 0.5.

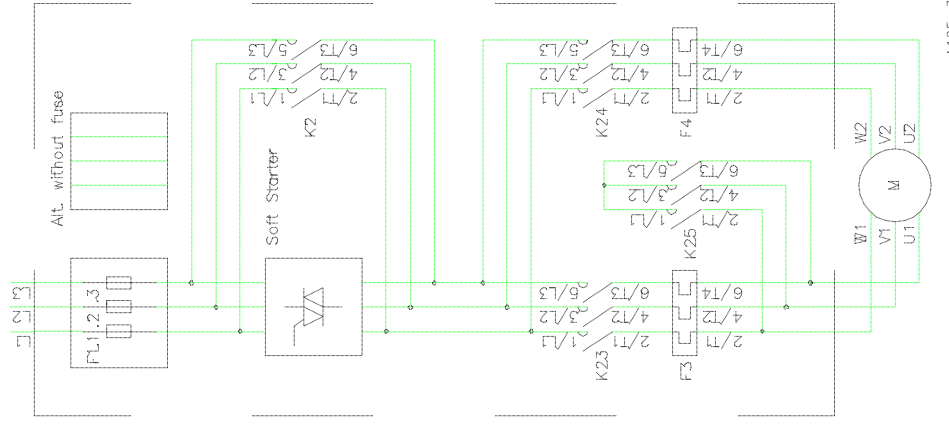
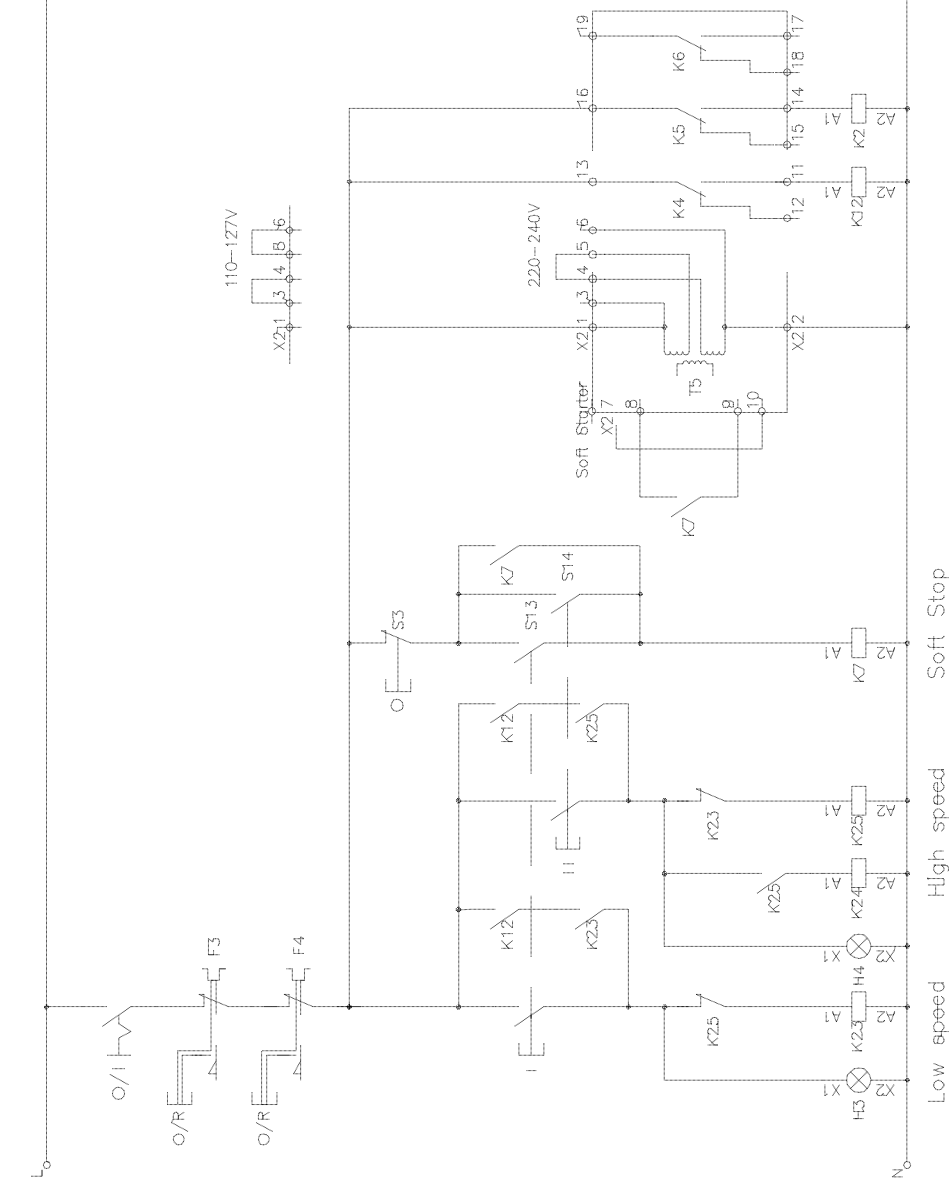


Low speed High speed Soft Stop

A105-37

Rev. int.	Appl.	Year	Issue	ISSUED	82	1	...
				SECUR/80 06 42	5366 105-37		
APPLICATION DIAGRAM				Soft Starter			
I Persson				Mjukstartare			
I Persson							
TP							

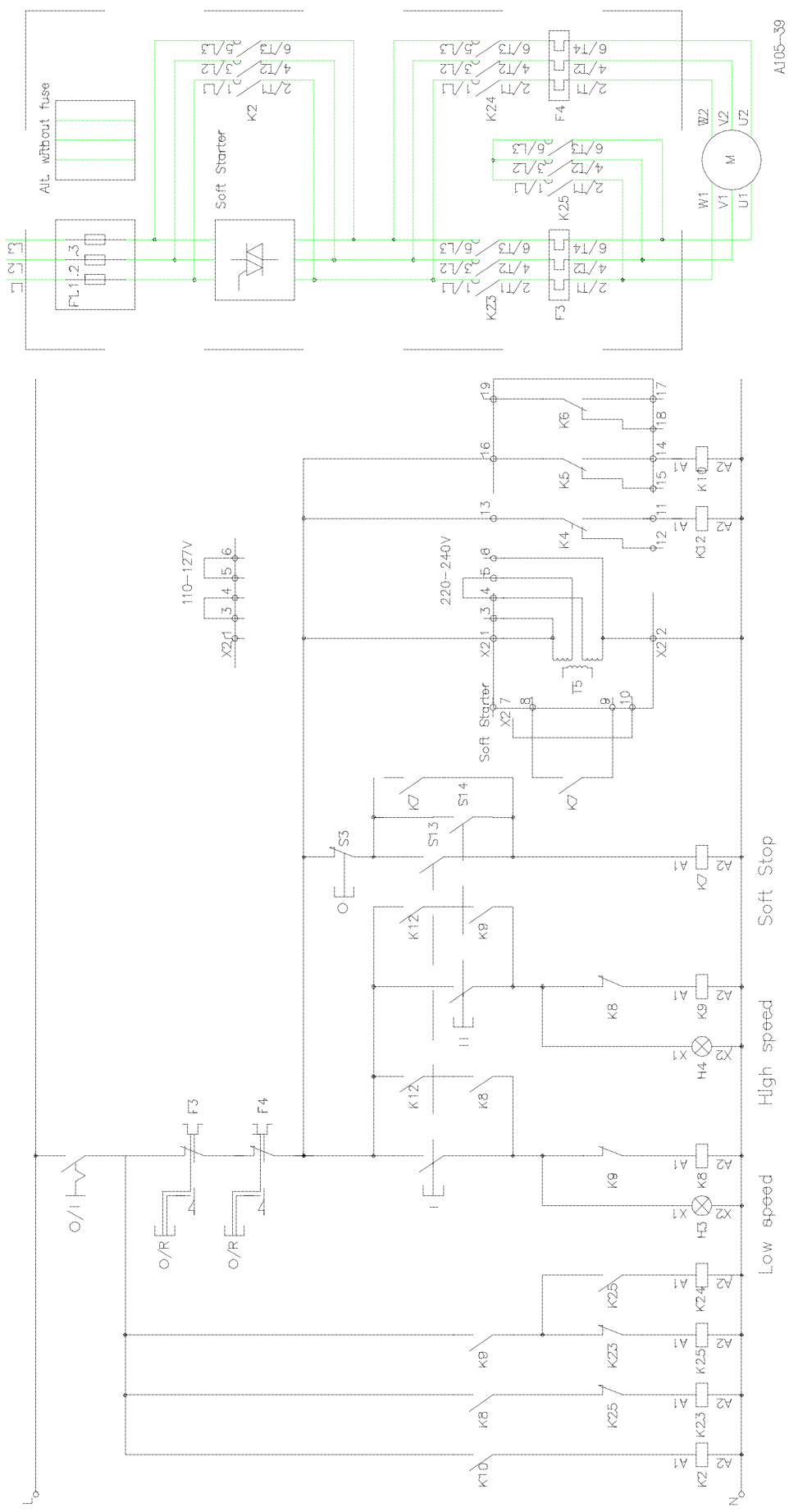
Soft Starter PS D75...300 with pole-changing, By-pass and softstop.
 To be stopped before change of speed.
 Start at optional speed.
 For motor with one winding (Dahlander).
 If softstop is not needed set the time for softstop to 0.5.



AJ05-38

5366 105-38	ISSUED	82	1
APPLICATION DIAGRAM		SECUR/80 06 42	
I Perisson	Soft Starter		
I Perisson	Mjukstartare		
TP			
Rev. nr	Appl.	Year	Issue

Soft Starter PS D370...840 with pole-changing and softstop.
 To be stopped before change of speed.
 Start at optional speed.
 For motor with one winding (Dahlander).
 If softstop is not needed set the time for softstop to 0.5.

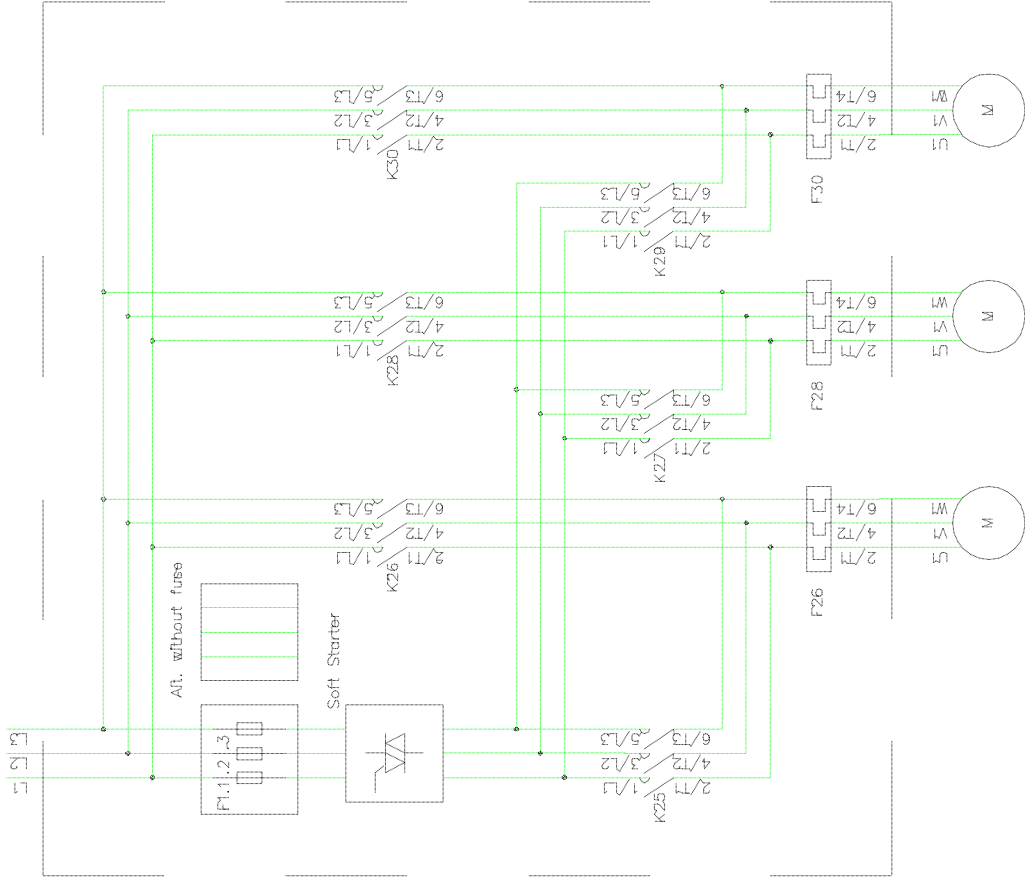


Rev. no.	Appt.	Year	Issue	ISSUED	5366 105-39	82	1
APPLICATION DIAGRAM				SECUR/80 06 42	A105-39		
I Persson				Soft Starter			
I Persson				Mjuktstartare			
TP							

SPECIAL APPLICATION DIAGRAM

5366 106-1	PS D75...840	Sequential start for 3 motors.
5366 106-2	PS D75...300	Start of 2 motors.

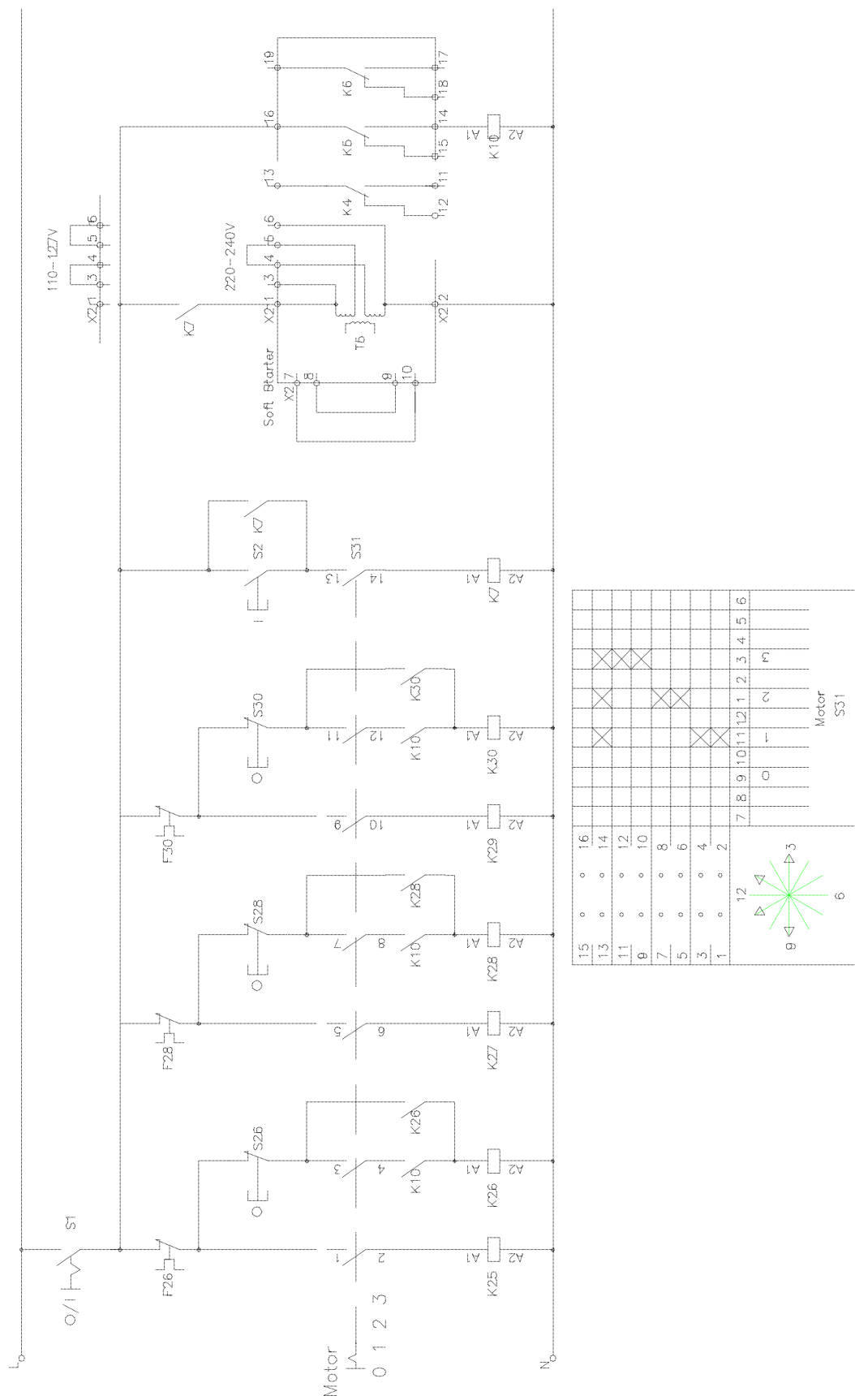
Sequential start for 3 motors.
 Soft Starter PS D75...300 with motor protection without softstop.
 Start of optional motor.



A106-1A

		APPLICATION DIAGRAM		5366 106--1		ISSUED	
I Persson		Soft Starter		SECUR/80 96 07		2	
I Persson		Mjuktstartare				82	
TP						1	
2		Ändrad				2	
1		Fusser moved.				2	
Rev int		Appl		Year		Week	

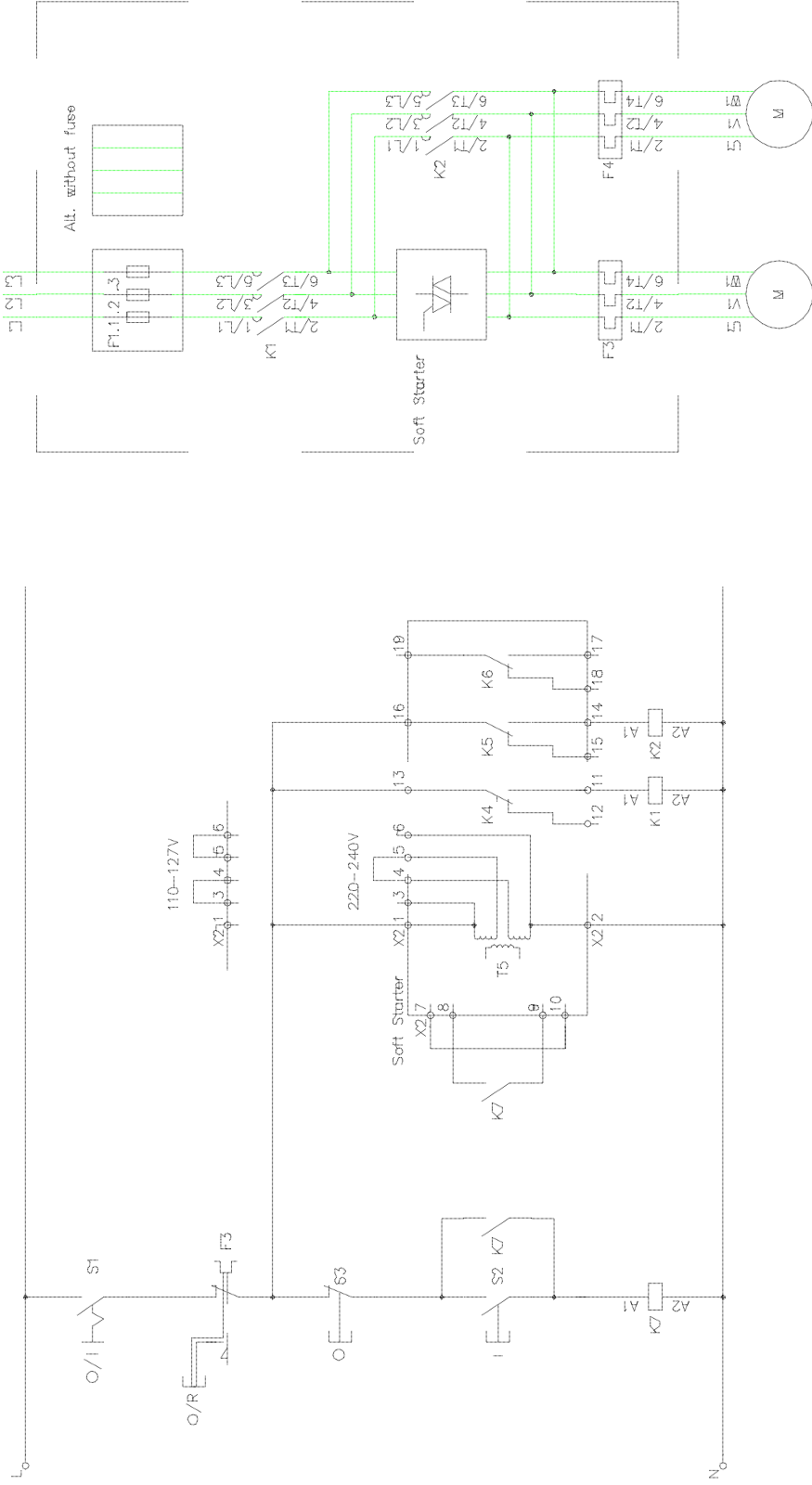
Sequential start for 3 motors.
 Soft Starter PS D75...300 with motor protection without softstop.
 Start of optional motor.



AJ06-1B

				APPLICATION DIAGRAM			
				Soft Starter			
				Mjapakstartare			
1		Ajakstartad		TP	86		43
Rev. nr		Appt	Year	Week			
					SEORL/80	06	07
					5366 106-1		
					1		82
					1		2
					1		...

Start of 2 motors.
 Soft Starter PS D75...300 with motor protection, softstart and By-pass.
 Main contactor open during pause



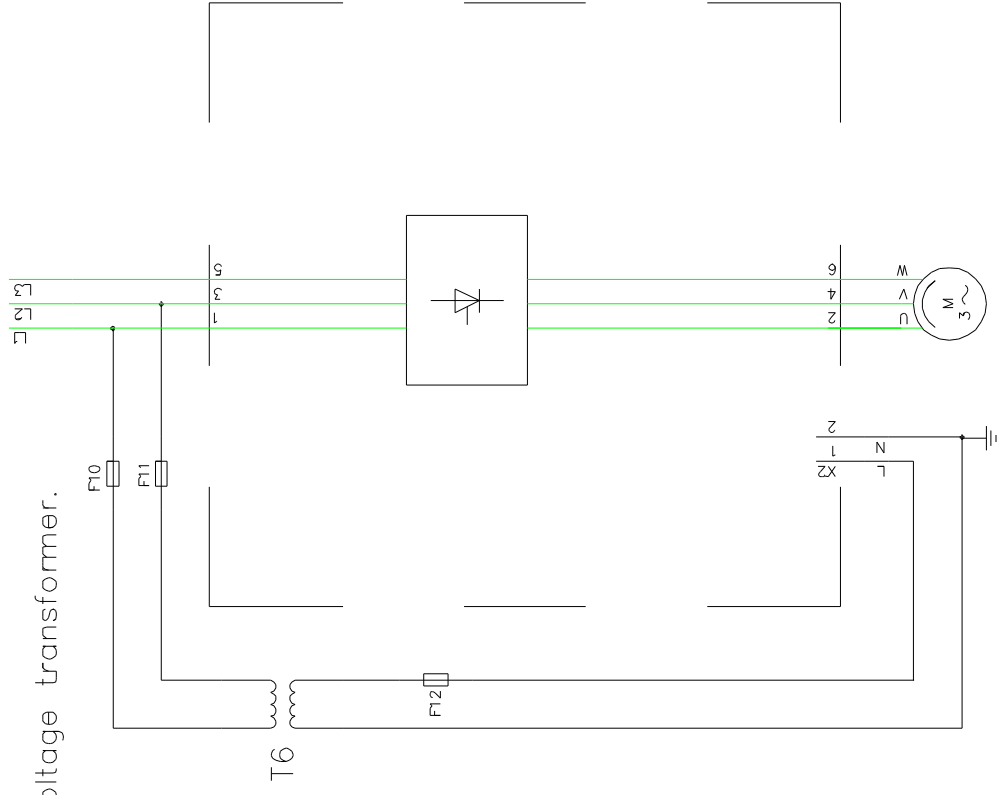
A106-2

Rev. nr	Appl.	Year	Week	ISSUED	82	1	...
				SECUR/80 06 43	5366 106-2		
				APPLICATION DIAGRAM			
				Soft Starter			
				Mjukstartare			
				I Persson			
				I Persson			
				TP			

SPECIAL DIAGRAM

5366 107-1	PS A, PS D(H)	Connection of control voltage transformer.
5366 107-2	PS A, PS D(H)	Connection of control voltage between phase and neutral wire.

Connection of control voltage transformer.



A107-1

Rev	Ind	Sheet	5366 107-1	ISSUED
Rev	Ind	Sheet		
Rev	Ind	Cont		
Designed by		Diagram		
I PERSSON		SOFT STARTERS		
Drawing checked by		MADKSTARTARE		
I PERSSON		ABB Control		
Drawn by		SCUR/AM 96 07		
Appd	Year	Week		



ABB Automation Technology Products AB, Control
S-721 61 Västerås, SWEDEN

Telephone +46 21 32 07 00
TELEFAX +46 21 12 60 01

(53096981.doc)