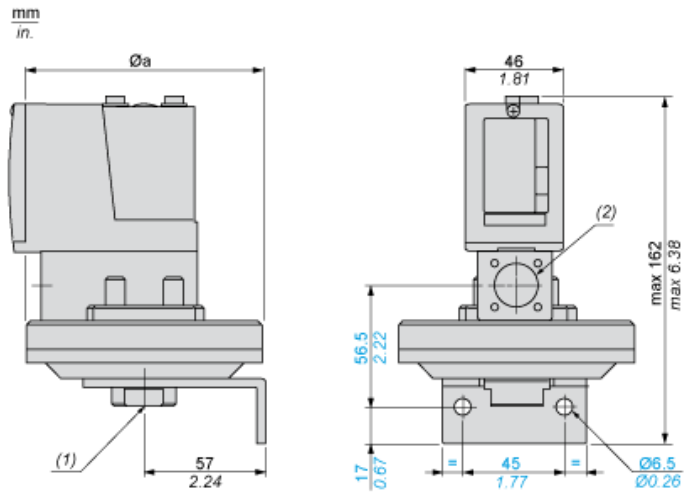


Contractual warranty

Warranty period	18 months
-----------------	-----------

Dimensions



- $\varnothing a =$ 110 mm / 4.33 in.
(1) 1 fluid entry, tapped G1/4 (BSP female)
(2) 1 electrical connections entry, tapped M20 x 1.5