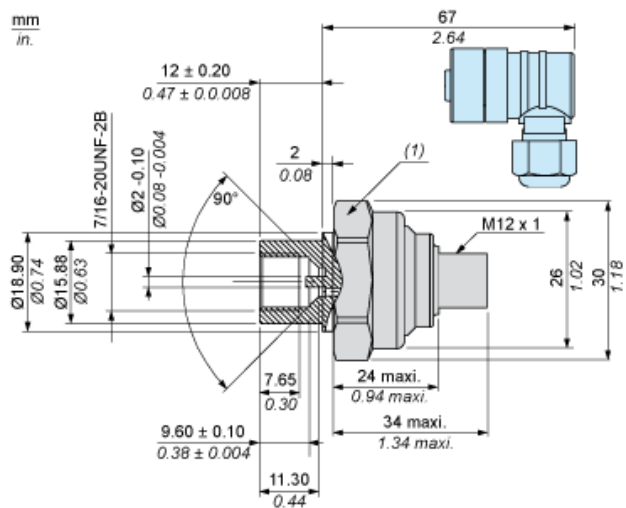


Dimensions



(1) SW27 Tightening torque ≤ 25 Nm / 221 Lb-in

---

Wiring Diagram

---

2-Wire Technique (4-20 mA)

