

mitsubishi cnc MELDAS 500 SERIES

MAINTENANCE MANUAL (HARDWARE)

Preface

- (1) The contents of this manual include the items required to maintenance the entire MELDAS 500 Series CNC unit, so the system configuration may differ according to the target model and specified configuration.
Use this manual with the Instruction Manual, instruction Manual issued by the machine maker, and other Instruction Manuals.**
- (2) This Manual is targeted for the general user and machine maker engineers. If there are any unclear points, please contact Mitsubishi.**
- (3) An effort has been made to match the contents of this manual with the NC unit. We ask for your understanding if there are any differences in the contents.**
- (4) Related material
MELDAS 500 Series Connection Manual**

Contents

| | |
|---|-----------|
| 1. Outline | 1 |
| 1.1 System Configuration | 2 |
| 1.1.1 System configuration | 2 |
| 1.1.2 Internal system diagram | 3 |
| 1.2 Control Unit Configuration | 4 |
| 1.2.1 Control unit configuration | 4 |
| 1.2.2 Control section PCB configuration | 5 |
| 1.3 Operation Board Configuration | 6 |
| 1.4 Table of Configuration Units | 7 |
| | |
| 2. Daily Maintenance and Periodic Inspection and Maintenance ... | 10 |
| 2.1 Maintenance Instruments | 10 |
| 2.2 Maintenance Items | 10 |
| 2.3 Cleaning the Operation Board Escutcheon and CRT | 11 |
| 2.4 Maintenance and Handling of the Floppy Disk Unit | 12 |
| 2.4.1 Maintenance of the floppy disk unit | 12 |
| 2.4.2 Handling of the floppy disk | 12 |
| 2.4.3 Other precautions for handling | 13 |
| 2.4.4 Troubleshooting | 14 |
| 2.5 Battery Replacement | 15 |
| | |
| 3. Trouble Diagnosis and Measures | 16 |
| 3.1 Confirmation of State of Trouble Occurrence | 16 |
| 3.2 Examples of Troubles and Troubleshooting | 17 |
| 3.2.1 Examples of troubles | 17 |
| 3.2.2 Examples of troubleshooting | 18 |
| 3.3 LED List of Each PCB (unit) | 23 |
| 3.4 Presumed Causes for Alarms | 25 |
| 3.5 Procedure for Inspection of Each Trouble | 37 |
| 3.6 Replacement of Various Units in Control Unit | 39 |
| 3.6.1 Replacement of power unit | 40 |
| 3.6.2 Replacement of cooling fan | 40 |
| 3.6.3 Replacement of the QX card | 40 |
| 3.6.4 Replacement of memory cassette card | 42 |
| 3.6.5 Precautions during replacement | 43 |

| | |
|--|-----------|
| 4. Installation Adjustment Procedure | 44 |
| 4.1 Working Conditions | 44 |
| 4.2 Input Power | 44 |
| 4.3 External Connections | 45 |
| 4.3.1 Connection of input power | 45 |
| 4.3.2 Connection of motor | 45 |
| 4.3.3 External connections | 45 |
| 4.4 Installation Check List | 47 |
| 4.5 Turning on the Power | 48 |
| 4.5.1 Power on, ready on, emergency stop, ready off flow chart ... | 48 |
| 4.6 Setting Capacity (hardware setting) | 49 |
| 5. Explanation of Hardware | 51 |
| 5.1 Outline | 51 |
| 5.2 Flow of Signals | 54 |
| 5.3 Control Unit Functions and Handling | 57 |
| 5.3.1 Power supply | 57 |
| 5.3.2 PCB functions and handling | 58 |
| 5.4 Functions and Handling of the Operation Board | 67 |
| 5.4.1 CRT | 67 |
| 5.4.2 EL display | 67 |
| 5.4.3 Color LCD | 68 |
| 5.4.4 Floppy disk unit | 68 |
| 5.4.5 Replacement of each module in operation board | 69 |
| 5.4.6 PCB functions and handling | 72 |
| 5.5 Functions and Handling of Manual Handle (HD60) | 74 |
| 5.5.1 Functions | 74 |
| 5.5.2 Replacement and handling | 75 |

1. Outline

The MELDAS 500 Series CNC unit is a product that has thoroughly pursued high productivity and reliability. The following material has been prepared in addition to this Manual. Please refer to these together with this manual.

- (1) MELDAS 500 Series Instruction Manual (per model)
- (2) MELDAS 500 Series Connection Manual
- (3) MELDAS 500 Series PLC Interface Manual

■ Features

- (1) A high speed and high precision has been realized with the incorporation of a complete 32-bit microprocessor.
- (2) A high reliability has been realized with the incorporation of high integrated parts such as the custom LSI.
- (3) By fully digitalizing the servo amplifier, a high maintainability, reliability and precision has been achieved.
- (4) Systemization has been realized with the modulation and unitization of the product.

This manual commonly explains the maintenance, troubleshooting, installation adjustment and hardware for the following CNC units. However, the model name is listed for those units having limits in each section.

| Model name | Slots | Automatic program | Display |
|------------|-------|-------------------|-----------|
| M520 | 4 | No | 9" CRT |
| | | | EL |
| M530 | 4 | No | 9" CRT |
| | | | EL |
| | | | 14" CRT |
| | | | Color LCD |
| M535 | 4 | Yes | 14" CRT |
| | | | Color LCD |
| M540 | 6 | No | 9" CRT |
| | | | EL |
| | | | 14" CRT |
| | | | Color LCD |
| (M545) | 6 | Yes | 14" CRT |
| | | | Color LCD |

1.1 System Configuration

1.1.1 System configuration

The following units are generally used to compose the system using the MELDAS 500 Series.

- (1) Control unit : This unit has the computation processing functions for numerical control. (This is also called the NC unit.)
- (2) Operation board : This unit has the setting and display functions.
(display operation section)-
- (3) Servo/spindle control unit : This is a servo/spindle amplifier composed of a conductor for obtaining DC from AC and an inverter for obtaining AC from DC.
- (4) Servo/spindle motor : This drive motor moves the machine.
- (5) Position/speed detector : This sensor outputs a pulse that corresponds to the machine movement amount
- (6) Other peripheral equipment: Peripheral equipment such as external memory and programming support.

This manual explains the sections enclosed with a dotted line in Fig. 1 .1 .

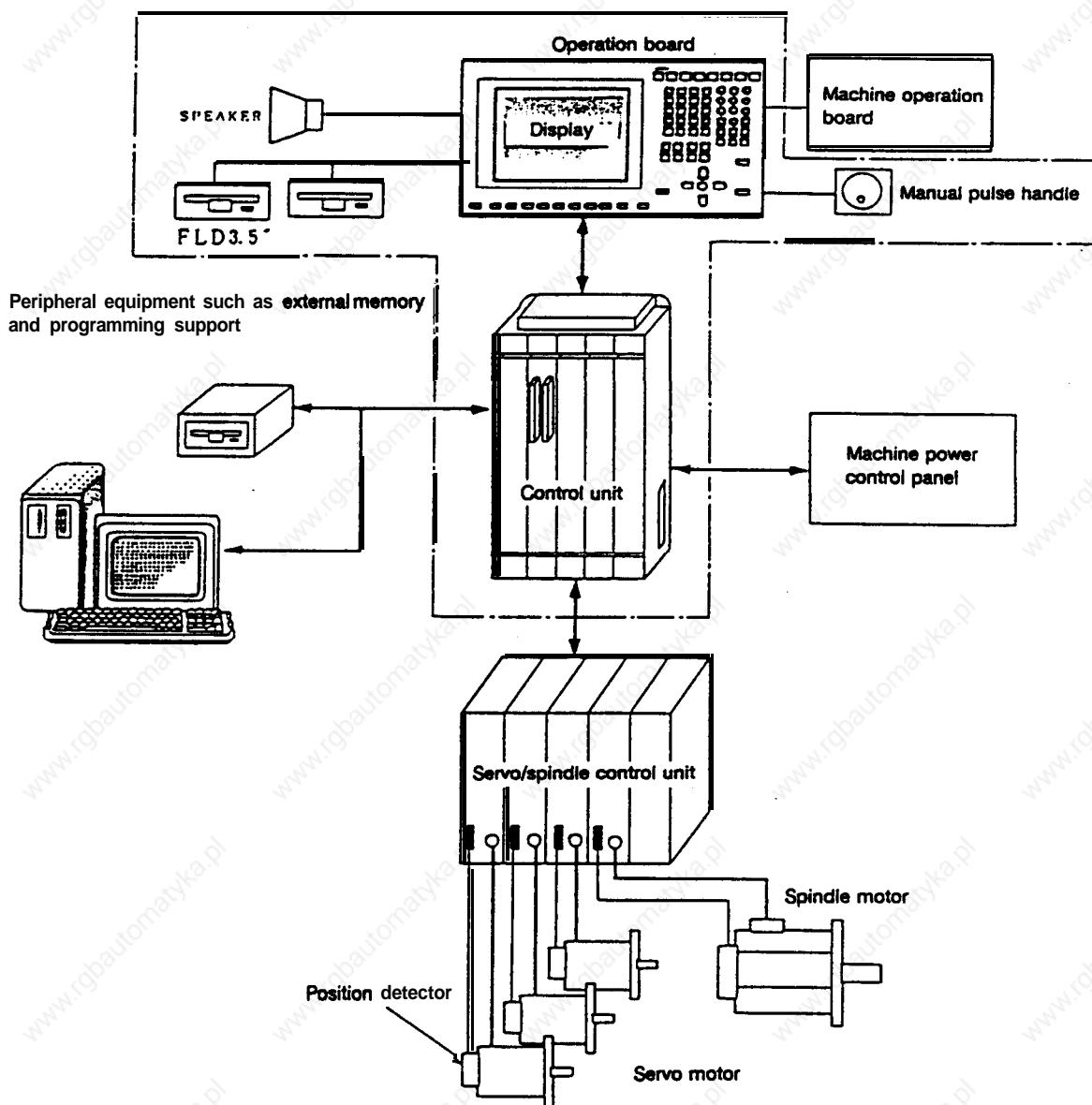
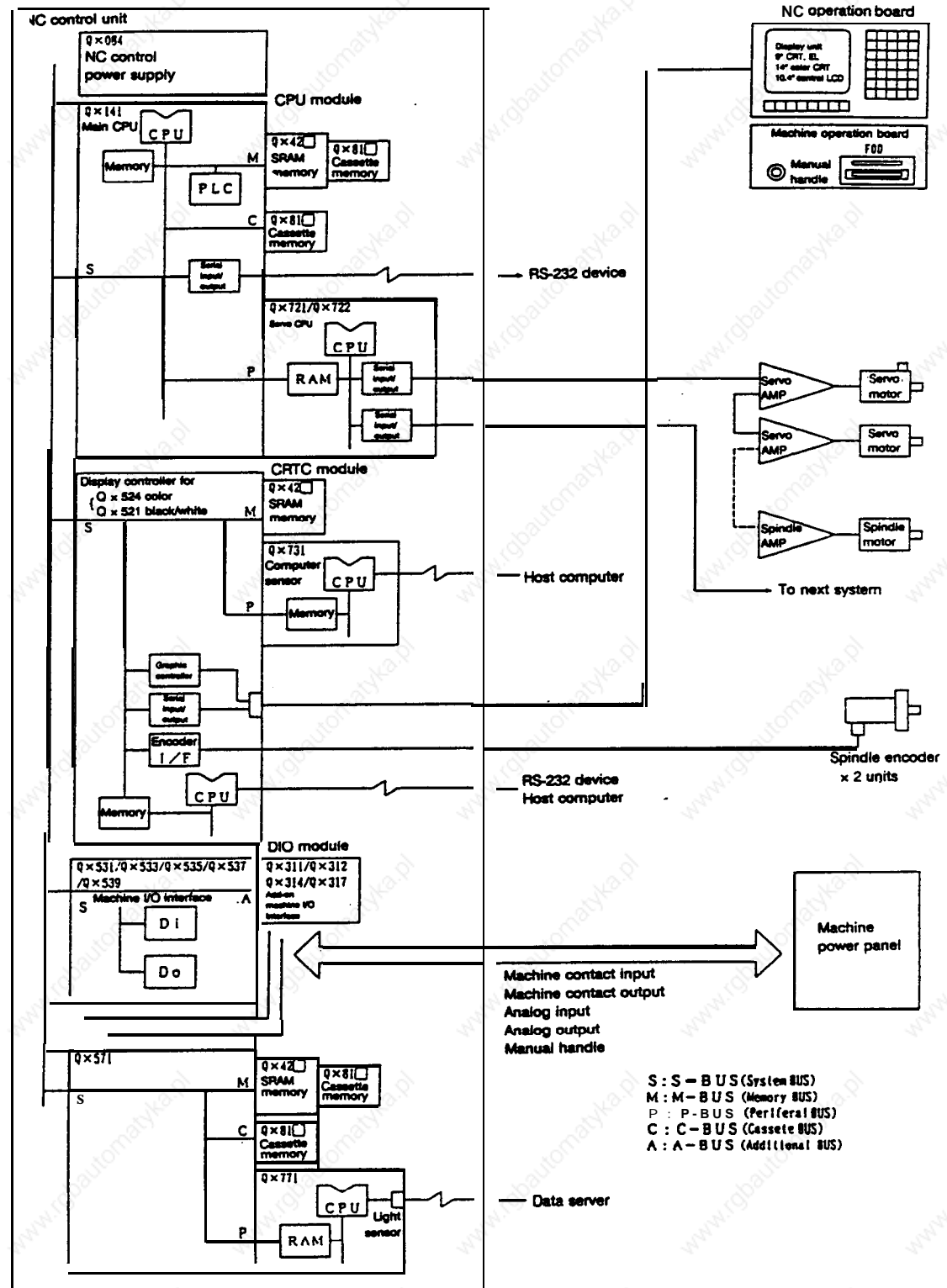


Fig. 1.1 General configuration of system using M500 Series

1.1.2 Internal system diagram



(Note) The above diagram shows the most general configuration, and the actually mounted hardware configuration may differ according to hardware flexibility and specifications.

1.2 Control Unit Configuration

1.2.1 Control unit configuration

The control unit is composed of baskets (4/6 slots) and the control power and control modules (integrated control section PCB) that are assembled into the baskets. The back panel into which the control power and control modules are mounted is on the back of the basket, and the cooling fan is mounted on the top. The cooling fan is mounted inside the fan cover as shown in Fig. A, and can be replaced easily by removing the fan cover from the basket unit. The control power is mounted on the far left slot of the basket, the CPU module in slot 1, the CRTC model in slot 2, and the number of DIO modules required from the system are mounted from the far right slot. Optional expansion modules are mounted from the left into the empty slots.



Fig. 1.2.1 Control unit configuration diagram

1.2.2 Control section PCB configuration

The control section PCB uses a control module to which various PCBs are mounted horizontally onto a 300 x 140mm standard size PCB as shown in Figs. C to E shown in Fig. 1.2.1 Control unit configuration diagram.

A system BUS connector that is connected to the back panel is mounted on the lower back of the control module and an interface connector and LED indicator are mounted on the front. A plastic front panel is mounted over this.

Fig. 1.22 shows the state from the front and side when the control module's front panel is removed. Fig. 1.22 shows the CPU module, and the M-BUS PCB, P-BUS PCB are mounted on the 300 x 140mm standard PCB (S-BUS PCB) so that the part mounting face faces the S-BUS PCB. Cassette memory can be mounted freely onto the front surface of the S-BUS PCB and M-BUS PCB.

This is possible with other control modules if the various add-on PCBs listed above are mounted. In some PCBs, this is not possible due to limits in the configuration, however, the ideology is the same.



Fig. 1.22 Example of control module (integrated PCB)

1.3 Operation Board Configuration

An example of the operation board configuration is shown in Fig. 1.3.

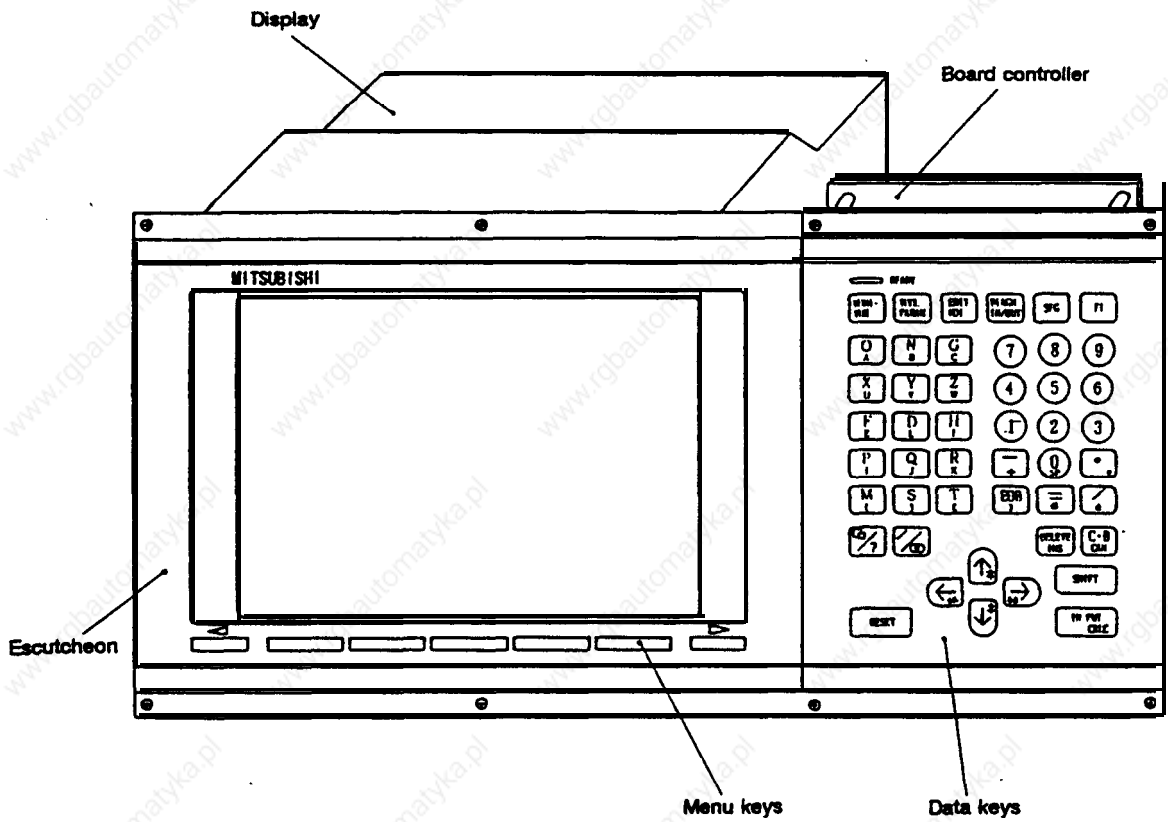


Fig. 1.3 Operation board configuration

1.4 Table of Configuration Units

(1) Control unit

| No. | Model name | | Function | Remarks |
|-----|----------------|----------------------------|--|---------|
| | Model name | Configuration element name | | |
| 1 | 4MU401A | QX041 QX084 | 4-slot control unit 4-slot back panel Control power supply | |
| 2 | 4MU601A | QX061 QX084 | 6-slot control unit 6-slot back panel Control power supply | |
| 3 | Expansion unit | QX025 | 2-slot expansion control unit 2-slot expansion back panel | |

(2) Control section printed circuit boards (PCB)

| No | Model name | | Mounting position | | | | | | Function | Remarks |
|----|----------------------------|----------------------------|-------------------|---|---|---|---|----|---|--|
| | Model name | Configuration element name | S | M | P | A | C | C' | | |
| 1 | CPU module | | | | | | | | Main CPU (with floating point processing) Main CPU (without floating point processing) SRAM memory Main memory User PLC memory Servo CPU | CPU, memory, servo I/F <input type="checkbox"/> Difference according to capacity <input type="checkbox"/> Difference according to capacity <input type="checkbox"/> Difference according to capacity QX721(Skipx4), QX722(Skipx8) |
| | | QX141 | ○ | | | | | | | |
| | | QX141-1 | ○ | | | | | | | |
| | | QX42□ | | ○ | | | | | | |
| | | QX81□ #1 | | | | | | ○ | | |
| | | QX81□ #2 | | | | | | ○ | | |
| 2 | CRT module | | | | | | | | For color CRT, color LCD For 9" CRT, EL Large capacity memory Servo CPU for additional axes Computer link M-NET | I/F with display unit, large capacity memory, other functions |
| | | QX524 | ○ | | | | | | | |
| | | QX521 | ○ | | | | | | | |
| | | QX42□ | | ○ | | | | | | |
| | | QX721 | | | ○ | | | | | |
| | | QX731 | | | ○ | | | | | |
| | QX738 | | | ○ | | | | | | |
| 3 | I/O module | | | | | | | | HONDA connector type (VDE) HONDA connector type (O.C.) Rat connector type (VDE) flat connector type (O.C.) HONDA connector type (Special) DO (VDE) DO (O.C.) Encoder I/F, analog output Analog input, analog output | Machine I/O interfaces Input: 64, Output: 46 Input: 64, Output: 46 Input: 60, Output: 80 Input: 60, Output: 80 Mounting of add-on PCB not possible Output: 16 Output: 16 Encoder input: 2, analog output: 2 analog input: 4, analog output: 2 |
| | | QX631 | ○ | | | | | | | |
| | | QX533 | ○ | | | | | | | |
| | | QX535 | ○ | | | | | | | |
| | | QX537 | ○ | | | | | | | |
| | | QX539 | ○ | | | | | | | |
| | | QX311 | | | | | ○ | | | |
| | | QX312 | | | | | ○ | | | |
| | QX314 | | | | | ○ | | | | |
| | QX317 | | | | | ○ | | | | |
| 4 | Module with special memory | | | | | | | | Base (no functions) Custom release RAM Custom release memory Data server I/F | Automatic program |
| | | QX571 | ○ | | | | | | | |
| | | QX42□ | | ○ | | | | | | |
| | | QX81□ #1 | | | | | | ○ | | |
| | | QX81□ #2 | | | | | | ○ | | |
| | QX771 | | | ○ | | | | | | |
| 5 | Special servo I/F | QX154 | ○ | | | | | | Analog servo I/F Mounting of add-on PCB not possible | |
| 7 | Special PCB | | | | | | | | Ethernet Floppy disk I/F RAM board for QX816 | For software development For software development For software development |
| | | QX734 | | | ○ | | | | | |
| | | QX791 | | | ○ | | | | | |
| | QX826 | | | | | ○ | | | | |

(3) Operation board

| No. | Model name | | Function | Remarks |
|-----|------------------|---|---|--|
| | Model name | Configuration element name | | |
| 1 | 4MB411 | AI QA8DSP40 KS-4MB401 KS-4MB411 QY201 MC231 QY271 | 14' CRT standard 14' CRT unit Menu keys Data keys Board controller Board contact input/output Audio output I/F | |
| 2 | 4MB911 | MDT-962B-1 A KS-4MB901 KS-4MB911 QY201 MC231 QY271 | 9' CRT standard (machining center system) 9' CRT Menu keys Data keys Board controller Board contact input/output Audio output I/F | |
| 3 | 4MB913 | MDT-9628-I A KS-4MB901 KS-4MB913 QY201 MC231 QY271 | 9' CRT standard (lathe system) 9' CRT Menu keys Data keys Board controller Board contact input/output Audio output I/F | |
| 4 | 4MB531 4MB532 | LJ640U48 KS-4MB501 KS-4MB911 QY201 MC231 QY271 | EL standard, separated (machining center system) 9.4' EL Menu keys Data keys Board controller Board contact input/output Audio output I/F | |
| 5 | 4MB531 4MB533 | LJ640U48 KS-4MB501 KS-4MB913 QY201 MC231 QY271 | EL standard, separated (lathe system) 9.4' EL Menu keys Data keys Board controller Board contact input/output Audio output I/F | |
| 6 | 4MB211 | 10.5' LCD KS-4MB201 KS-4MB211 QY201 MC231 QY271 | 10.4' LCD standard (horizontal) 10.4' LCD Menu keys Data keys Board controller Board contact input/output Audio output I/F | |
| 7 | 4MB221 | 10.5' LCD KS-4MB201 KS-4MB221 QY201 MC231 QY271 | 10.4' LCD standard (vertical) 10.4' LCD Menu keys Data keys Board controller Board contact input/output Audio output I/F | |
| 8 | 4FD01 | | Floppy disk unit | Floppy disk unit w/one built-in drive |
| 9 | 4FD02 | | Floppy disk unit | Floppy disk unit w/two built-in drives |

2. Daily Maintenance and Periodic Inspection and Maintenance

2.1 Maintenance Instruments

(1) Measurement instruments

The following instruments are used for measurement to confirm that the power is being properly supplied to the NC unit and that the wiring to the NC unit is correct, and during simple troubleshooting.

Table 2.1 Maintenance instruments

| Instrument | Conditions | Application |
|----------------------|--|--|
| Tester | | Check that the wiring to the NC unit is correct before turning on the power. |
| AC voltmeter | The AC power voltage is measured. The tolerable difference is $\pm 2\%$ or less. | The AC power voltage supplied to the NC unit is measured. |
| DC voltmeter | Maximum scale 10V 30V tolerable difference is $\pm 2\%$ or less. | The DC power voltage is measured. External supply 24V (I/O interface DIO-A) Battery voltage QX084 DC output |
| Phase rotation meter | | Check the order of AC 3-phase input power connection |
| Oscilloscope | | For general measurement and simple troubleshooting |

(Note 1) Currently, a high precision digital multimeter has been generally diffused as a tester, and is most commonly used. This digital multimeter can also be used for the AC voltmeter and DC voltmeter.

(Note 2) A logic analyzer (200MHz or higher) is required for complicated troubleshooting.

(2) Tools

Screwdriver (large, medium, small)

2.2 Maintenance Items

Maintenance is divided into daily, periodic inspection and maintenance (items not performed daily but as designated), and periodic maintenance replacement (replacement of parts whose life is up).

Table 2.2 List of maintenance items

| Class | Name | Life | Inspection/ replacement | Remarks |
|-------------------------------------|--|------|----------------------------|--|
| Daily maintenance | Cleaning of escutcheon and CRT | | Daily | Refer to the section 'Cleaning the operation board escutcheon and CRT'. |
| Periodic inspection and maintenance | Cleaning of floppy disk unit (operation board built-in type) | | Once/two months | Refer to the section 'Maintenance and handling of the floppy disk unit'. |

| Class | Name | Life | Inspection/ replacement | Remarks |
|--|--|---|------------------------------|---|
| Periodic inspection and maintenance | Replacement of floppy disk sheet (operation board built-in type) | 3 x 10s path/track | | Refer to the section 'Maintenance and handling of the floppy disk unit' and replace the floppy disk sheet. |
| | Replacement of floppy disk drive (operation board built-in type) | 12,000 hours of access or after 5 years of FDD motor rotation. Which ever is first. | Refer to left | Refer to 'Replacement of each module in operation board'. |
| | CRT | 7,000 hours (Regulated by conductivity time for brightness to drop below 80%.) | Replace when screen darkens. | Note, that the brightness can be adjusted by the user. |
| | EL display unit | 30,000 hours (Regulated by conductivity time for brightness to drop below 70%.) | Replace when screen darkens. | The brightness can be adjusted by the user. |
| | Color LCD display unit | 10,000 hours (backlight life) | Replace when screen darkens. | |
| | Battery (Li battery) | Data saving time: 7 years (discharge time 2,000 days) The life of the battery itself is 7 years at 60°C (8.5 years at 40°C). | After 7 years | The data hold time is calculated by the discharge time/year Max. 6,840 hours (average 240 days x 16 + holidays 125 days x 24) Refer to 'Battery replacement' for the replacement method. |
| | Cooling fan (control unit) | 30,000 hours | Refer to left | Refer to 3.6.2 Replacement of cooling fan'. |
| Other consumable parts | Keyboard | 10 ⁶ punches | Refer to left | |

2.3 Cleaning the Operation Board Escutcheon and CRT

- (1) Remove the escutcheon with the same method as for replacing each operation board module explained in section 54.5.
- (2) Using a neutral detergent, etc. and soft cloth, wipe the escutcheon and CRT clean.

2.4 Maintenance and Handling of the Floppy Disk Unit

2.4.1 Maintenance of the floppy disk unit

Magnetic powder and dust will adhere onto the surface of the floppy disk drive head over a long time, and may not allow read out to be performed properly.

Clean the head about once every two months with the following procedure.

(1) Recommended cleaning disk

Maker : Japan Memorex

Model : Memorex Cleaning Floppy 3.5 inch double sided

Method : Dry

(2) Cleaning method

- (a) insert the cleaning disk into the floppy disk drive in the floppy disk unit to be cleaned.
- (b) Select the disk input/output screen from the 'Data Input/Output' function on the display screen and display the directory.
- (c) Cleaning is completed when the message 'DISK ERROR' appears on the display screen.
- (d) Eject the cleaning disk.

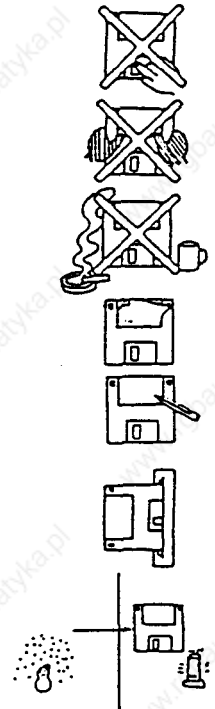
(Note) 1. The cleaning disk can be used 60 times. Replace the cleaning disk with a new one when the disk has been used 60 times.

2.4.2 Handling of the floppy disk

Observe the following points to use the floppy disk for a long time.

1. Precautions for handling

- ① Never touch the magnetic surface.
Read out will not be possible if fingerprints get on the magnetic surface.
- ② Do not touch the floppy disk with oily or powder coated hands.
- ③ Do not place the floppy disk near tobacco smoke or solvents.
- @When sticking on an index label, make sure that it is in the correct direction and that it will not peel off. Do not overlay labels.
- ⑤ Fill in the index label before sticking it on. Use a soft-tipped pen, such as a felt pen when writing on a label that has already been stuck on the disk.
- @Gradually insert the disk in the correct direction into the drive. Rough insertion and ejection will damage the disk.
- ⑦ When moving the disk between rooms with great differences in temperature and humidity, always wait at least 30 minutes before using the disk.



2 Precautions for storage

- ① When not using the floppy disk or when storing back up disks, always place them in a plastic case.
- ② Do not store the disks where they will be subject to direct sunlight or near heating appliances.
- ③ Do not place the disks near magnets or magnetic fields. Magnetic rings and necklaces may also erase the data on the disk, so avoid handling the disks near these types of items.
- ④ Do not place objects on the disks.



24.3 Other precautions for handling

1. Floppy disk life

The life of the floppy disk is either five years of the FDD motor rotation or 12000 hours. The durability is ensured for the shorter of these two times. However, when using the unit in a dirty environment, reading out of the data may not be possible if dirt or other matters adhere onto the head.

Always perform the periodic head cleaning (refer to section 23.1) to prevent this type of trouble.

2 Recommendation for backups

Copy the floppy disks to store important data so that data will not be lost due to unforeseen accidents such as scratches or destroyed data

3. Working conditions

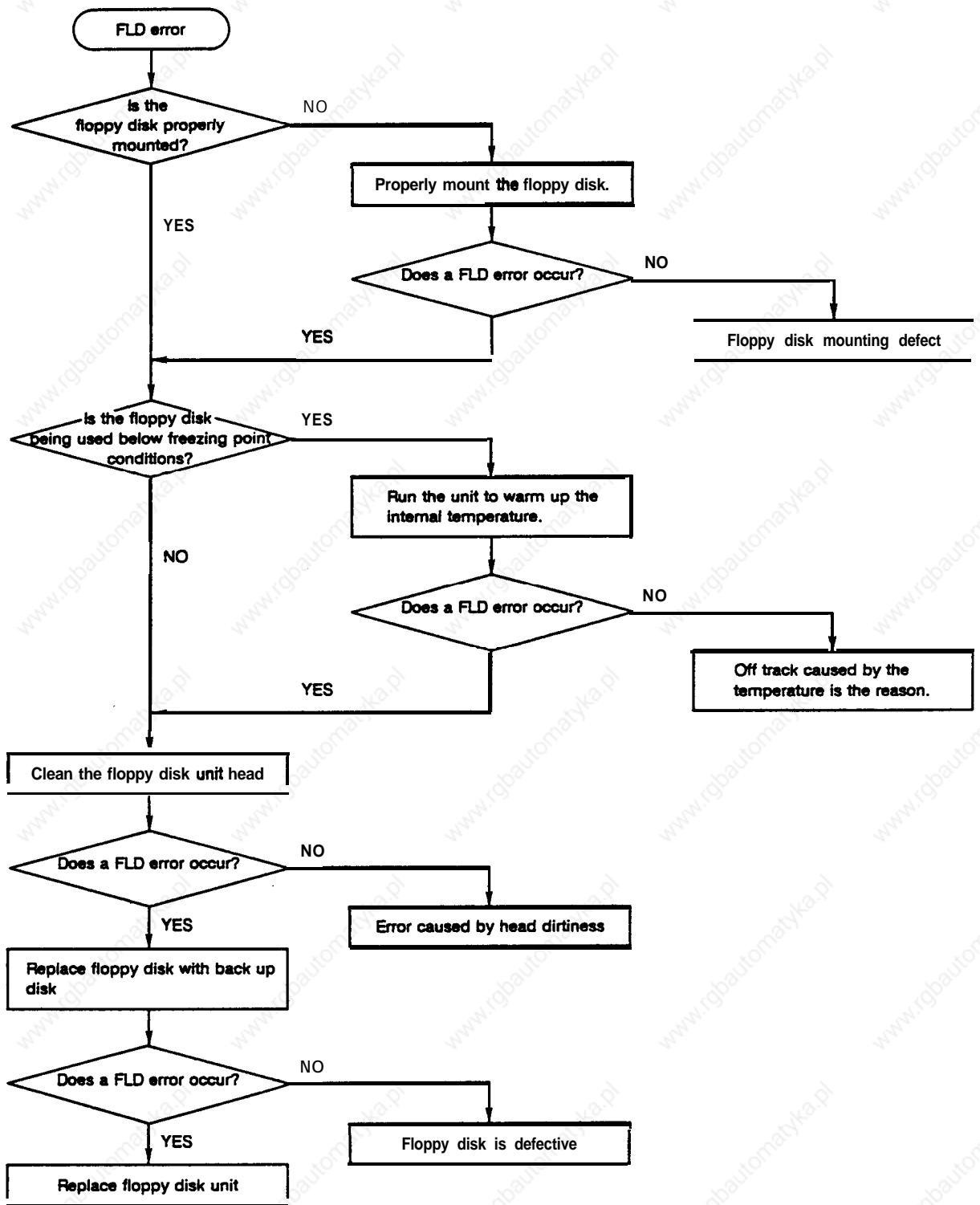
The floppy disk unit and floppy disks are very sensitive to changes in temperature and humidity. In regard to temperature, the data track and head's relative position will deviate and proper readout of the data may not be possible if the conditions are not satisfied (start up in below freezing conditions).

Always wait for the internal temperature to rise before starting.

4. Writing to floppy disks

Data must be written into the floppy disks at a temperature between 10°C and 40°C. Always observe the temperature conditions when writing data into the disk.

24.4 Troubleshooting



2.5 Battery Replacement

Data that must be backed up such as the parameters and machining programs, etc., are saved by the lithium battery mounted in the front panel on the front of the control power supply when the power is turned OFF.

Battery used : BR-CC7P with connector
(Matsushita Denchi Kogyo with Mitsubishi specifications)

Battery voltage : 3.0V
Alarm voltage : 2.6V
Battery capacity : 5.000mAH
Battery back up time : 7 years
Battery life : 7 years
Discharge current : 100 μ A or less

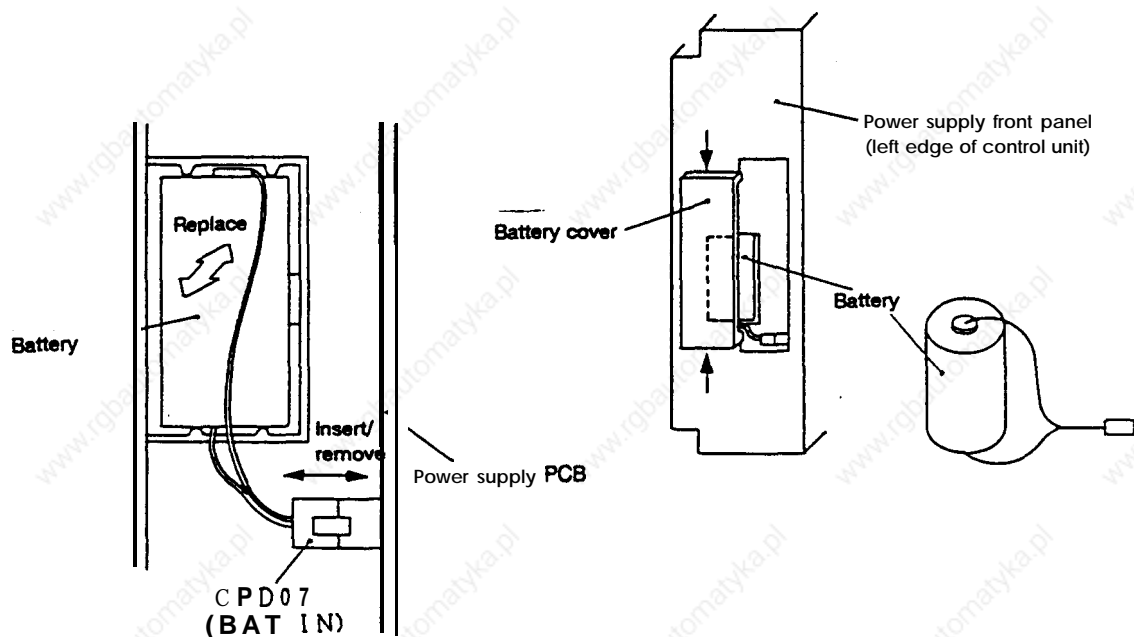
The battery must be replaced before the life is up to ensure proper operation of the system.
(If the battery alarm is displayed, the internal data may be destroyed.)

Replacement procedure

The machine (NC) power may be ON or OFF.

- (1) Remove the battery cover on the front panel of the control power supply.
- (2) Disconnect the connector on the battery.
- (3) Replace the battery and connect the connector.
- (4) Replace the battery cover

1 If the power is turned OFF, complete this procedure within 30 minutes.



State with battery cover removed (enlarged view)

3. Trouble Diagnosis and Measures

If any trouble occurs during operation, it is necessary to accurately find the cause so that appropriate measures can be taken. Perform the following check to find the cause.

3.1 Confirmation of State of Trouble Occurrence

Confirm 'when', 'what was done' and 'what kind of trouble' has occurred.

(1) When did the trouble occur?

The time that the trouble occurred.

(2) What was done?

What mode was the NC operating in?

- During automatic operation: Program No., sequence No., and program details of when the trouble occurred.
- During manual operation : What was the manual operation mode?
What was the procedure?
What were the last and next steps?
- What is on the setting and display unit screen?
- Was data being input or output?
- What was the machine side state?
- Were tools being exchanged?
- Has hunting occurred in the control axis?

(3) What kind of trouble occurred?

- What alarm is being displayed on the alarm diagnosis screen in the setting and display unit?
Display the alarm diagnosis screen and confirm the displayed details.
- What is displayed on the drive amplifier's status display?
Look at the display of the drive amplifier's status and confirm the alarm details.
- What is displayed for the machine sequence alarm?
- Is the CRT screen normal?

(4) How frequently does the trouble occur?

- When did the trouble occur? How frequently? (During operation of other machines?) If the trouble occurs infrequently, the power voltage may be incorrect, or noise may be the cause. Check that the power voltage is correct (does the power voltage drop instantaneously when other machines are operated), and confirm that measures against noise have been taken.
- Did the trouble occur in a specific mode?
- Did the trouble occur when the ceiling crane was operated?
- What is the frequency of occurrence in the same workpiece.
- Repeat the operation to see if the same trouble occurs during the same step.
- Confirm whether the same trouble occurs when the conditions are changed.
(Try changing the override, program contents, and operation steps, etc.)
- What is the ambient temperature?
(Was there a sudden change in temperature? Is the fan on the top of the control unit rotating?)
- Are there any defective cable contacts or defective insulation?
(Has oil or cutting fluids splattered on the cables?)

3.2 Examples of Troubles and Troubleshooting

3.2.1 Examples of trouble

(1) The NC power does not turn on.

- Is the power being supplied to the NC unit?
- Is the power supply section fuse blown?

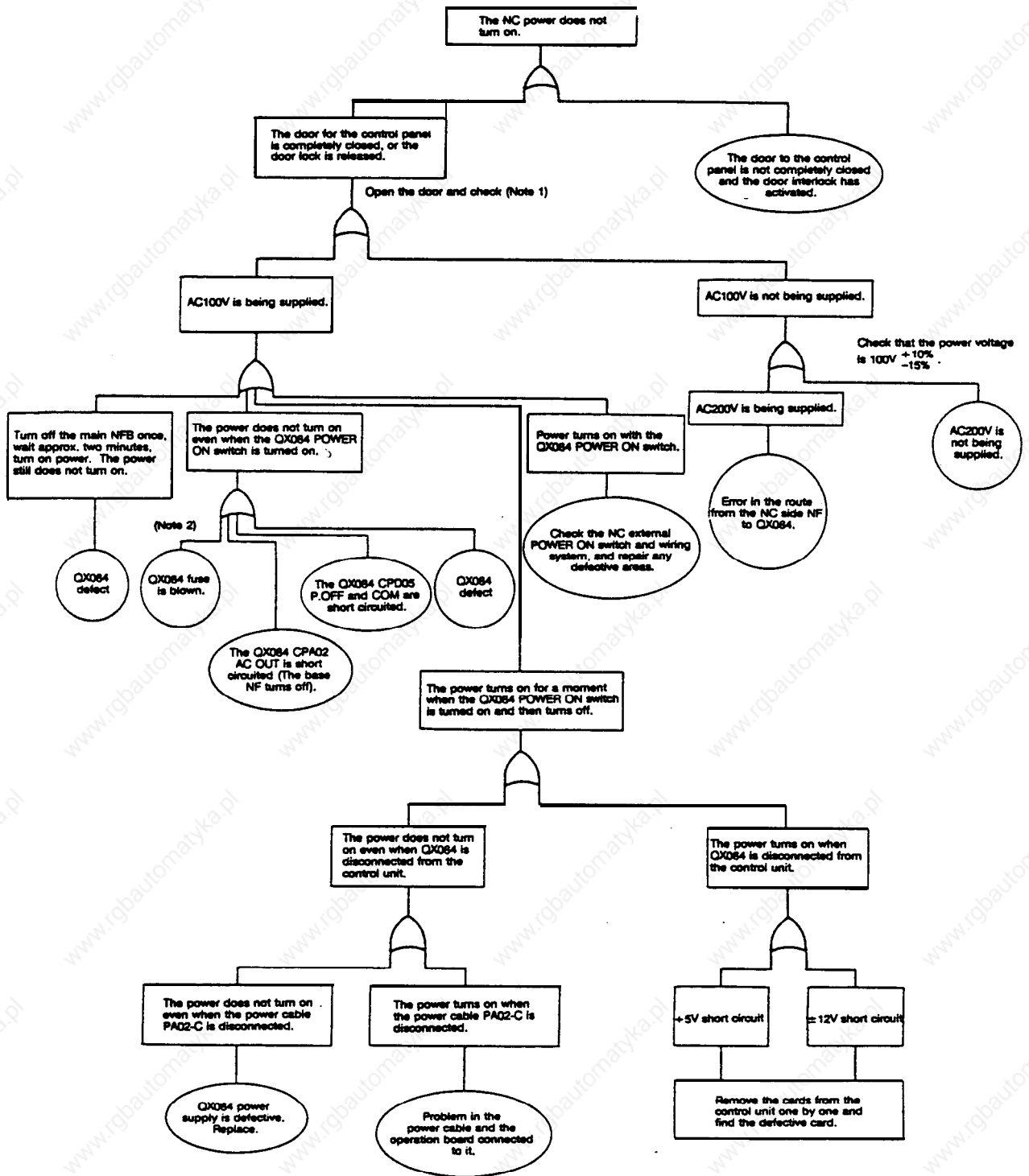
(2) The unit does not operate even when started up.

- Is the correct mode selected?
- Is the tape correctly mounted during tape operation?
- Are the starting conditions correct?
(In some machines, the start up will be locked unless specific conditions are satisfied. Confirm the conditions with the 'Instruction Manual' issued by the machine maker.)
- Is the override or manual speed setting O?
- Is the reset signal input?
- Is the feed hold signal input?
- Is the machine lock on?

3.22 Examples of troubleshooting

Power supply related troubleshooting

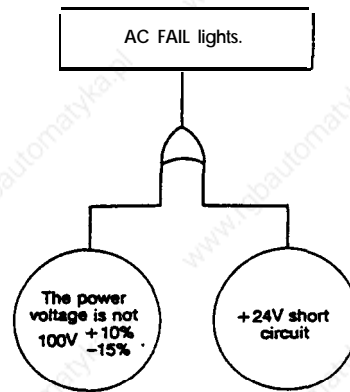
① The NC power does not turn on.



(Note 1) When the NC body door is opened, the door interlock limit switch will turn off. Turn the door interlock switch off with the door interlock key and then open the door. Always return the door interlock switch to ON after removing the trouble, and then close the door.

(Note 2) Refer to section 5.3.1 for details on blown fuses.

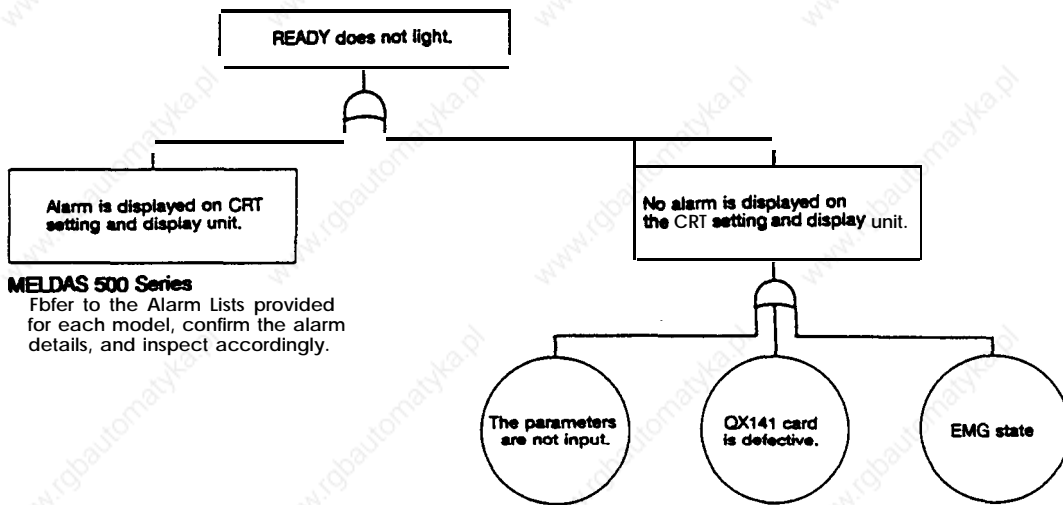
② AC FAIL (red) on QX084 lights.



(Note) When the QX084 24V output is being used for the I/O interface DIO-A, the machine output signal may be short circuited due to mis-wiring, etc. in the above case, the IC in the I/O interface DIO-A card may be destroyed.

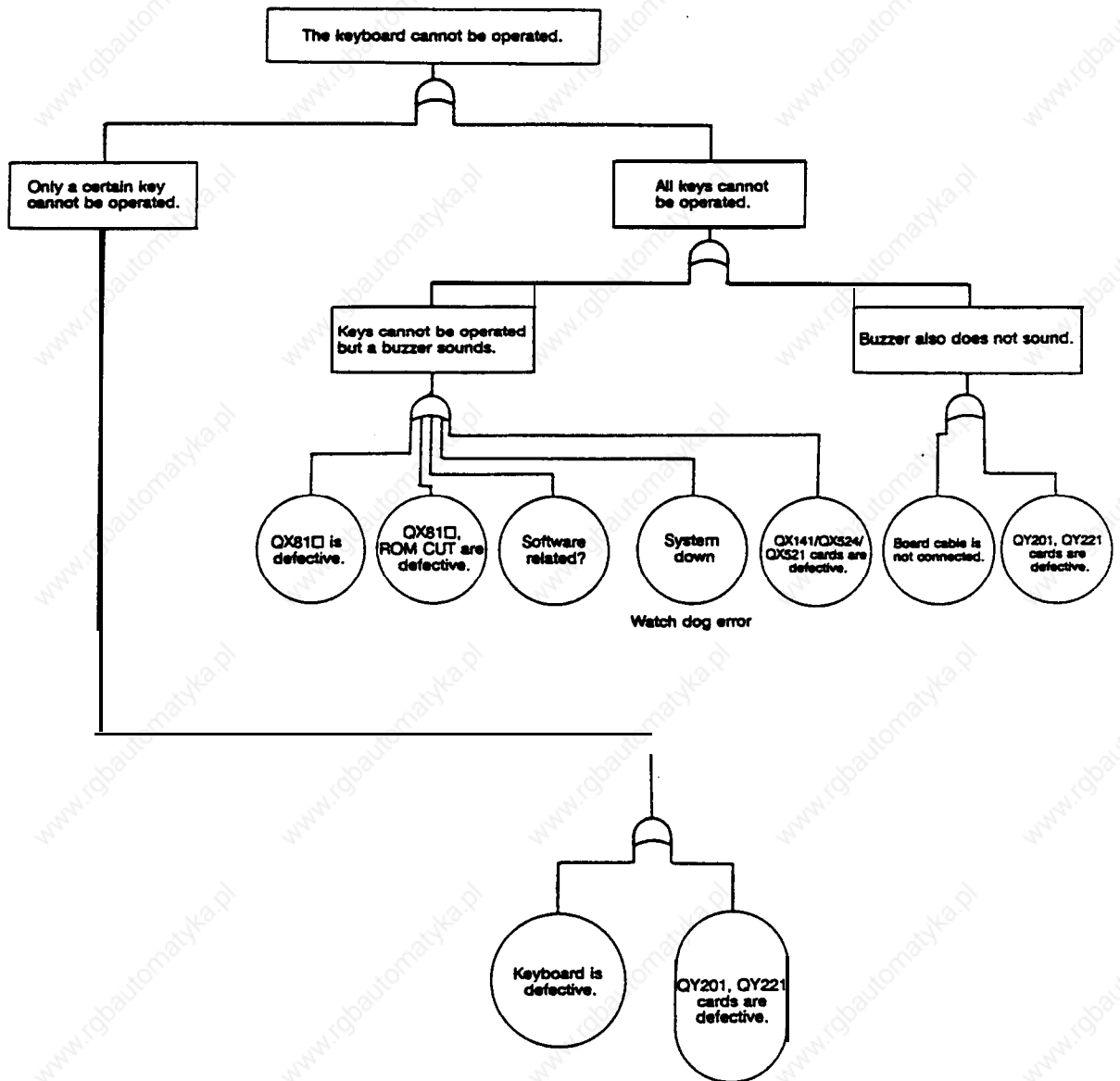
Troubleshooting in operation preparation stage

① Operation preparation (READY) cannot be entered.



Operation board related troubleshooting

- ① The operation keyboard cannot be operated.



CRT and EL display troubleshooting

① Screen does not appear.



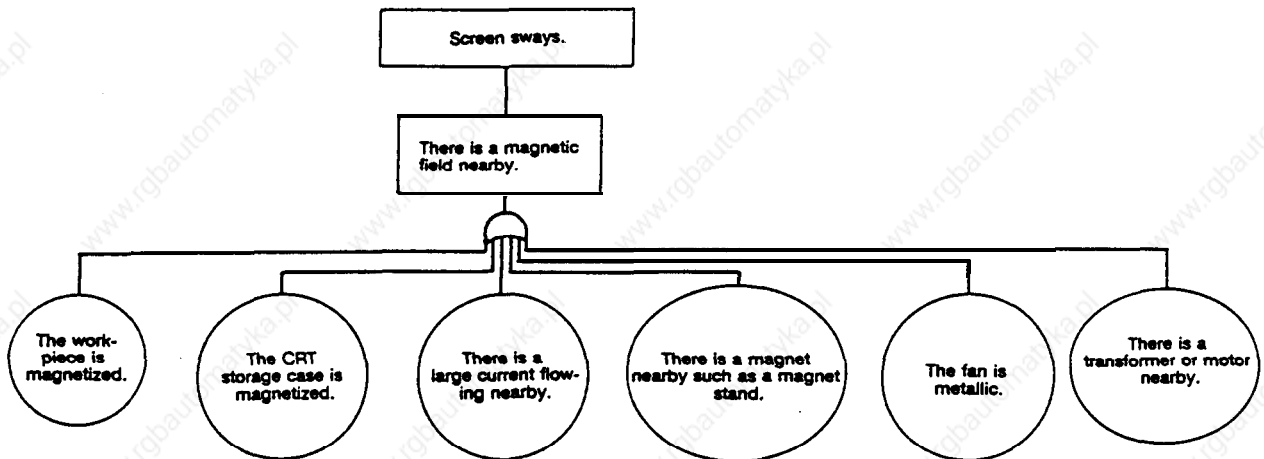
② Screen flows.



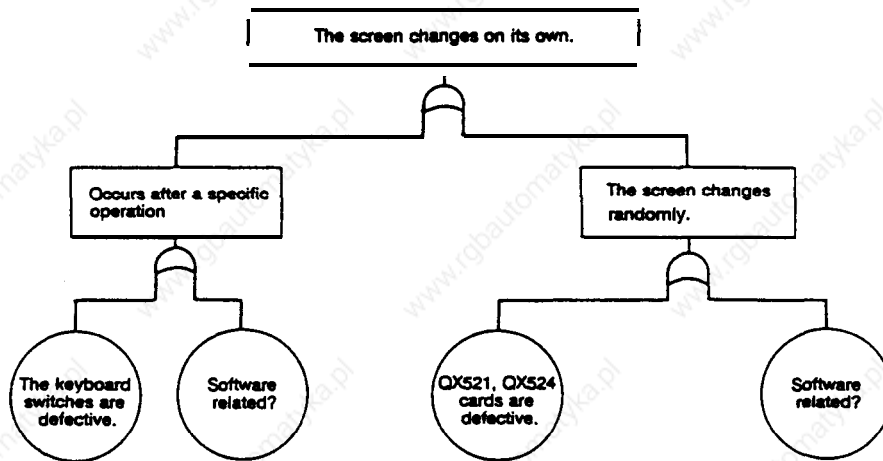
③ 'Dots' remain on screen.



④ CRT screen sways (is distorted).



⑤ The screen changes on its own.



3.3 LED List of Each PCB (Unit)

Fig. 3.3. shows the conventional hardware configuration (max. configuration) of a normal system. Refer to section 63.2 'PCB functions and handling' for details on PCBs not listed here.

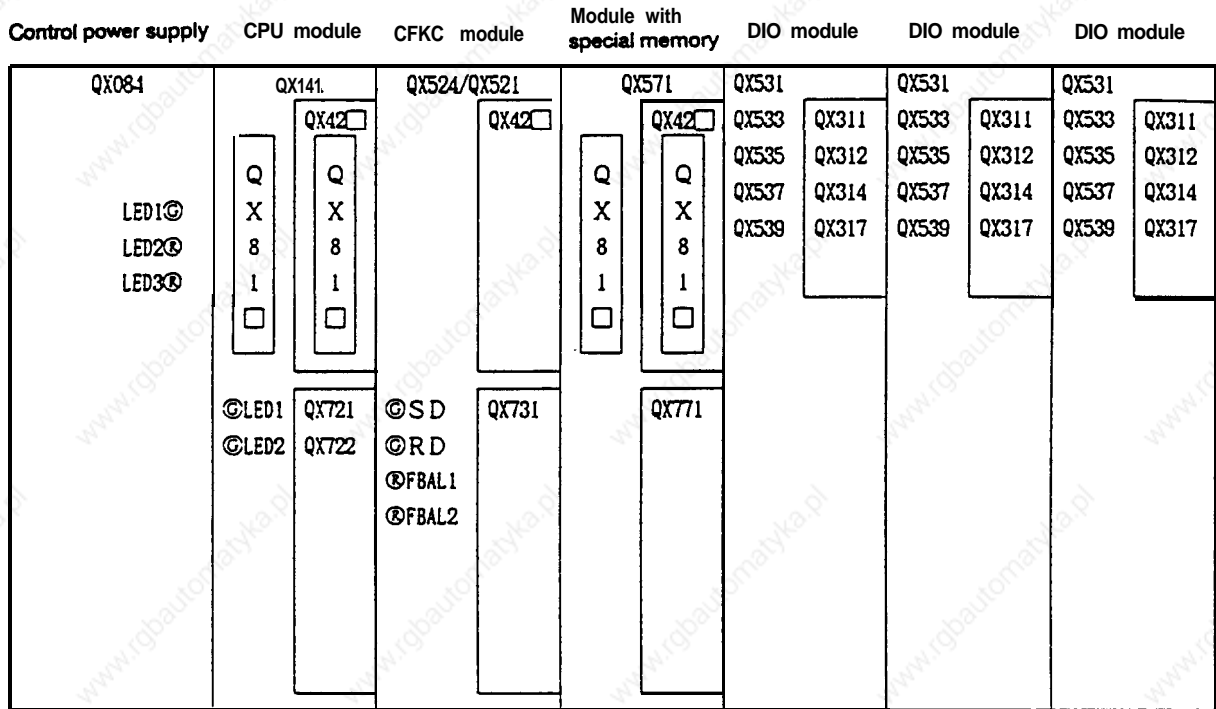


Fig. 3.3 Conventional hardware configuration (max. configuration)

Table 3.3 shows a list of LEDs. Some of the PCBs not listed here do have LEDs, so refer to section 5.3.2 'PCB functions and handling' for details.

Table 3.3 LED list

| Card name | LED name | State | | Details of display | Measures during error |
|-------------------------------|---------------------------|--------------------|----------------|---|---|
| | | Normal | Error | | |
| Control power supply QX084 | LED1 (Green) (POWER) | Lit | Not lit | Control power ON | Refer to '(1) The NC power does not turn on'. Measure AC input voltage. |
| | LED2 (Red) (AC FAIL) | Not lit | Lit | | |
| | LED3 (Red) (BAT.AL) | Not lit | Lit | | |
| QX141 QX141-1 | LED1 (Green, Red) | Green LED flickers | Red LED stable | Watch dog alarm | One of the PCBs in the CPU module may be defective. The DRAM in the QX141 card or one of the QX42□ cards may be defective. |
| | LED2 (Green, Red) | Green LED flickers | Red LED stable | Memory parity error | |
| QX721 /QX722 | LED1 Red) LED2 Green) | Not lit | Lii | Watch dog alarm Software monitor | The PCB may be defective. |
| QX524/QX521 | SD (Green) | Lit | Not lit | Indicates that data is being transferred between operation board. Same as above Spindle encoder no signal alarm | Either the PCB or cable may be defective. Same as above The cable may be broken or the spindle encoder may be defective. Same as above |
| | RD (Green) FBAL1 (Red) | Lit Not lit | Not lit Lit | | |
| | FBAL2 (Red) | Not lit | Lit | | |

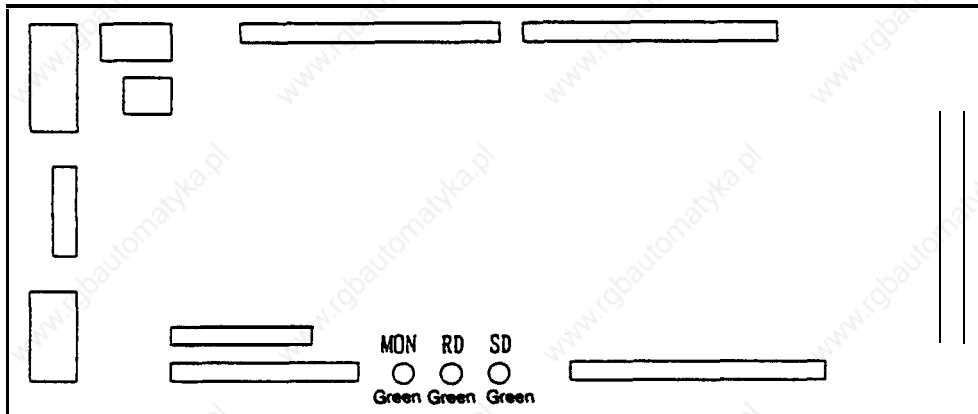
LED on operation board side

QY201



Note 1) QY271 and MC231 do not use LEDs so explanations have been omitted.

QY221



| Card name | LED name | State | | Details of display | Measures during error |
|----------------|-------------|---------|----------------|--|---|
| | | Normal | Error | | |
| JY201 JY221 | RD (Green) | Lit | Not lit | Data reception (Indicates that communication data from the control unit is being received.) | If RD goes out or SD lights when MON is flickering, the cable may be broken or the PCB on the control unit may be defective. If both RD and SD are out, this PCB may be defective. |
| | SD (Green) | Lit | Not lit | Data transmission (Indicates that communication data is being transmitted to the control unit.) | |
| | MON (Green) | Flicker | Lit Not lit | System monitor | The PCB may be defective. However, if all LEDs (RD, SD, MON) are out, the DC24V supply OFF (NC power supply) may be interrupted. |

3.4 Presumed Causes for Alarms

The presumed causes for alarm related to the hardware in the MELDAS 500 Series are explained in this section.

- When the system stops due to a system error, the messages shown below are displayed on the screen with the register of the point when the error occurs.

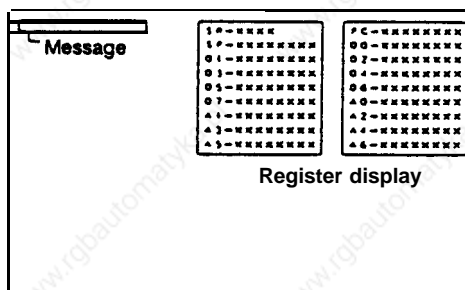
Write down the displayed register, and contact the service center.

| Message | Details | Possibility of hardware defect | Alarm generated simultaneously |
|-------------------|---|--------------------------------|--------------------------------|
| Parity error | PAM error | Great | Watch dog error |
| Bus error | An address that does not exist was accessed. | Small | Watch dog error |
| Zero divide | Division of a denominator that is zero was attempted. | Very small | |
| Watch dog error | The system operation stopped. | Medium | |
| Illegal exception | An illegal interrupt occurred. | Small | |

9 inch CRT (40-character mode)



9 inch CRT (80-character mode), 14 inch CRT



2. The following message are alarms that when occur, the system does not necessarily stop.

| Message | Details | Possibility of hardware defect | Measures for hardware (Small letters are causes other than the hardware) |
|----------------------|---|--------------------------------|---|
| Z07 CRC error | The ROM mounted on QX81□ is defective. | Great | Replace QX81 CI Reprogram |
| Z11 RAM error | Error in the DRAM mounted on QX141. | Great | Replace QX141 |
| Z51 EEROM error | This occurs when the parameters were not correctly written into the EEROM. | Small | Replace QX141 |
| Z52 Battery drop | The voltage of the battery mounted to save the data in the NC has dropped. (Life) | 100% | Replace battery |
| Z53 Overheat | The temperature of QX141 or the operation board has risen over the specified value. Specified value QX141 ON at 70±5°C OFF at 55±5°C Operation board ON at 70±5°C OFF at 60±5°C | Small (FAN) | Fan trouble However, in most cases this is caused by the working environment, so confirm the heat measures taken for the body as explained in the 'Connection Manual'. |
| Z55 DIO 24V error | The required 24V power is not being supplied to the I/O interface DIO-A card (DIO card). | Small | Replace DIO card Confirm 24V power supply connection Check for short circuit of 24V load on machine side |
| Z10 QX42□ SRAM error | Error (memory parity error, etc.) in the machining program registered memory (QX42□). A memory parity error in the CPU module QX42□ will cause the system to stop as explained in item (1). | Great | Replace battery Replace QX42□ Initialize register memory |

There are primary alarms (alarms which when occur, another alarm also occurs), and secondary alarms (alarms that occur even with other cause). Here, the presumed caused of the primary alarm must be investigated.

Example

- (1) If both the parity error and watch dog error occur simultaneously, investigate the parity error.
- (2) If battery drop and another alarm occur simultaneously, investigate the battery drop first.

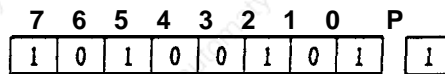
(1) Parity error

(a) Meaning

A parity bit is added to improve the reliability of the CPU card DRAM and memory card QX42□ SHAM.

When data is written into the above RAMs, the data is written into the parity bit memory so that the number of '1's', including the parity bit, becomes an odd number, for each byte. Then, if the memory details change for any reason, the change will be detected when the data is read out, and a parity error will occur.

(The changes cannot be detected when two bits are changes simultaneously. However, the probability that two bits will change in all addresses that the software accesses is very low.)



The number of bit 0 to 7's '1's' are even, so '1' is written in.

(b) Cause and measures

Handling of this error will differ according to whether this is a CPU card DRAM parity error or a QX42□ SHAM parity error. It is important to determine which parity error has occurred.

How to determine the error

List of presumed causes

| No. | Presumed cause | Presumed cause (details) | Measures | Probability |
|-----|-------------------|---|--|-------------|
| 1 | SRAM Parity error | <ul style="list-style-type: none"> • The voltage of the back up battery (Li battery mounted on front of QX084) has dropped. If the message 'Z52 Battery drop' appears on the screen after the power is turned on, and the QX084 BAT.AL LED lights, the battery voltage has dropped. The details registered in the SRAM may have been lost when the power was turned off. | Replace with a new battery. | Great |
| | | <ul style="list-style-type: none"> • Memory card defect If the battery voltage has not dropped, the card may be defective. | Replace QX42□. | Medium |
| 2 | DRAM Parity error | The CPU card DRAM may be defective. | Replace QX141□. | Medium |
| 3 | Software | <ul style="list-style-type: none"> • The RAM area has not been initially cleared, so a SRAM parity error has occurred. | Initial clear | Great |
| | | <ul style="list-style-type: none"> • An illegal address (area where memory is not mounted) was accessed. normally a bus error will occur. | Change to the newest software version, and see how it works. | Small |
| 4 | Others | <ul style="list-style-type: none"> • AC FAIL and MLOCK are not possible when the power is turned off due to control power QX084 defect. | Replace QX084 | Small |

(2) Bus error

(a) Meaning

Each PCB (and internal circuit) mounted in the control unit has a characteristic address assigned to it looking from the MPU of the CPU card QX141, etc. (This is called the address MAP or memory MAP.)

When the software runs away or an area other than this designated address is accessed, an answer will not be returned and a bus error will occur.

(b) Cause and measures

List of **presumed** causes

| No. | Presumed cause | Presumed cause (details) | Measures | Probability |
|-----|----------------|--|--|-------------------|
| 1 | Card defect | <ul style="list-style-type: none"> Carddefect Replace the control modules in the order of the CPU module, CRTC module, DIO module, etc. When the alarm stops when one of the above control modules is replaced, replace the PCBs on that control modules. For example, if it is the CPU module, replace the PCBs one by one in the order of QX141, QX721 /QX722, QX42□, QX81□. | <p>Replace with a good control module.</p> <p>Replace with a good PCB.</p> | Great |
| 2 | Noise | <ul style="list-style-type: none"> Noise If measures against noise have not been taken, the system may be malfunctioning due to noise that is entering the NC through the power cable and connection cables. | <p>Confirm the 'cable clamp treatment', 'grounding treatment', 'surge killer treatment of relays, etc.', according to the 'Connection Manual', and treat if treatment hasnotbe executed already.</p> | Small |
| 3 | Software | <ul style="list-style-type: none"> Malfunction during a specific operation The user PLC software accessed an illegal address. | <p>Change to the newest software version, and see how it works.</p> <p>Confirm the software list.</p> | <p>?</p> <p>?</p> |

(3) Zero divide

(a) Meaning

When calculating $A \div B, B=0$.

(b) Cause and measures

Check the software list to see if there is any cause for the data corresponding to B being zero.

(4) Watch dog error

(a) Meaning

A watch dog error occurs when the system is not running properly to ensure the system's safety. This error has a function to stop the system immediately.

In a system that runs in real time such as the NC, a routine that is passed periodically in cycles is established. Each time this routine is passed, a special counter (watch dog timer) is reset. If the 'system does not run properly for any reason, this routine will not be passed, so this counter will not be reset. If a set frequency clock is attached to this counter's clock terminal, this counter will overflow. This output will apply an interrupt on the CPU, and will take appropriate measures immediately.

Detection positions

The CPU card (QX141, etc.) and servo CPU cards (QX721/QX722, QX151, QX154) have watch dog error detection circuits, and the LED will light when a watch dog error occurs.

(b) Cause and measures

Determining the cause of these messages is difficult, but the presumed causes are shown below.

List of presumed causes

| No. | Presumed cause | Presumed cause (details) | Measures | Probability |
|-----|-----------------------------|---|--|-------------|
| 1 | CPU module defect | <ul style="list-style-type: none"> • CPU module defect The CPU module in the hardware is defective. (la) Servo CPU card defect This card may be defective if LED1 on the QX721/QX722 card is lit. (1 b) CPU card defect If a watch dog error occurs even when LED1 on the QX721/QX722 card is not lit, the CPU card (QX141, etc.) may be defective. (lc) Main memory card, user PLC card defect If a watch dog error occurs even when LED1 on the QX721/QX722 card is not lit, the main memory card or the ROM in the user PLC card QX81□ may be defective. | <p>Replace with a good control module.</p> <p>Replace with a good PCB.</p> | Great |
| 2 | Defect in other card | <ul style="list-style-type: none"> • Defect in other card If a watch dog error occurs even when LED1 on the QX721/QX722 card is not lit, QX42□ or another control module may be defective. | Replace with a good PCB. | Small |
| 3 | Control power supply defect | <ul style="list-style-type: none"> • QX084 defect There may be an error in the QX084 DC output. Measure the voltage and ripple with the QX084 test pin CPD03. | Replace with a good PCB. | Small |
| 4 | Defective insertion | <ul style="list-style-type: none"> • Defective insertion of each card The control module may be inserted improperly into the back panel, or the cassette memory QX81□ insertion may be improper. | Re-insert. | Medium |

| No. | Presumed cause | Presumed cause (details) | Measures | Probability |
|-----|----------------|--|--|----------------------|
| 5 | Noise | <ul style="list-style-type: none"> • Noise if measures against noise have not been taken, the system may be malfunctioning due to noise that is entering the NC through the power cable and connection cables. | <p>Confirm the “cable clamp treatment”, ‘grounding treatment’, ‘surge killer treatment of relays, etc.’, according to the ‘Connection Manual’, and treat if treatment has not be executed already.</p> | Small |
| 6 | Software | <ul style="list-style-type: none"> • Malfunction during a specific operation • The user PLC software accessed an illegal address. | <p>Change to the newest software version, and see how it works.</p> <p>Confirm the software list.</p> | <p>?</p> <p>?</p> |

(5) Illegal exception

(a) Meaning

This error indicates that an illegal interruption occurred.

(b) Cause and measures

As with the watch dog error, the cause of this error is very difficult to determine, but the probable causes are listed below.

List of presumed causes

| No. | Presumed cause | Presumed cause (details) | Measures | Probability |
|-----|-----------------------------|--|---|-------------|
| 1 | Card defect | <ul style="list-style-type: none">Card defect Replace the control modules in the order of the CPU module, CRTC module, DIO module, etc. When the alarm stops when one of the above control modules is replaced, replace the PCBs on that control modules. For example, if, it is the CPU module, replace the PCBs one by one in the order of QX141, QX721/QX722, QX42□, QX81 CI. | <ul style="list-style-type: none">Replace with a good control module.Replace with a good PCB. | Great |
| 2 | Control power supply defect | <ul style="list-style-type: none">QX084 defect There may be an error in the QX084 DC output. Measure the voltage and ripple with the QX084 test pin CPD03. | <ul style="list-style-type: none">Replace with a good PCB. | Small |
| 3 | Defective insertion | <ul style="list-style-type: none">Defective insertion of each card The control module may be inserted improperly into the back panel, or the cassette memory QX81□ insertion may be improper. | <ul style="list-style-type: none">Re-insert. | Medium |
| 4 | Noise | <ul style="list-style-type: none">Noise If measures against noise have not been taken, the system may be malfunctioning due to noise that is entering the NC through the power cable and connection cables. | <ul style="list-style-type: none">Confirm the 'cable clamp treatment', 'grounding treatment', 'surge killer treatment of relays, etc.', according to the 'Connection Manual', and treat if treatment has not be executed already. | Small |
| 5 | Software | <ul style="list-style-type: none">Malfunction during a specific operationThe user PLC software accessed an illegal address. | <ul style="list-style-type: none">Change to the newest software version, and see how it works.Confirm the software list. | ? ? |

(6) 207 CRC error

(a) Meaning

A memory parity for the ROM card is not mounted on the cassette memory QX81□, but CRC is added to a specific address in QX81□ to improve the reliability.

This CRC is data that performs a special calculation for each address data when the cassette memory is being programmed, and is like the vertical memory parity bit.

CRC is calculated for each address each time the system power is turned on, and checked to match the CRC data that has been pm-programmed into the ROM. If the results do not match, a CRC error will occur.

(b) Cause and measures

List of presumed causes

| No. | Presumed cause | Presumed cause (details) | Measures | Probability |
|-----|-----------------------------|---|--|-------------|
| 1 | Card defect | . QX81□ defect | Replace with a good PCB. | Great |
| 2 | ROM CDT defect | . ROM CDT defect ROM CUT with ROM writer is incomplete | Perform ROM CDT again, and see how it works. | Small |
| 3 | ROM writer defect | . ROM writer defect The ROM writer itself may be defective. ROM CUT voltage ROM CUT pulse width | Check the ROM CUT voltage with a digital multimeter and oscilloscope to see that it is as specified. | Small |
| 4 | Control power supply defect | . QX084 5V output defect There may be an error in the QX084 5V output. Measure the voltage and ripple with the QX084 test pin CPD03. Check that the TEST pin has not been set by mistake. | Replace with a good PCB. Release setting. | Small |
| 5 | Defective insertion | . Defective insertion of cassette memory QX81 CI The cassette memory QX81□ insertion may be improper. | Re-insert. | Medium |

(7) ZII RAM error

(a) Meaning

When the power is turned on, the DRAM mounted on CPU card QX141 is tested.
This error will occur if any trouble is found.

(b) Cause and measures

List of presumed causes

| No. | Presumed cause | Presumed cause (details) | Measures | Probability |
|-----|-----------------------------|---|--|-------------|
| 1 | Card defect | . QX141 defect | Replace with a good PCB. | Great |
| 2 | Control power supply defect | . QX084 5V output defect There may be an error in the QX084 5V output. Measure the voltage and ripple with the QX084 test pin CPD03. Check that the TEST pin has not be set by mistake. | Replace with a good PCB. Release setting. | Small |

(8) Z51 EEROM error

(a) Meaning

This error occurs when the parameters are not correctly written into the EEROM.

(b) Cause and measures

List of presumed causes

| No. | Presumed cause | Presumed cause (details) | Measures | Probability |
|-----|-----------------------------|---|--|-------------|
| 1 | EEROM defect | . The EEROM in QX141 is defective. | Replace with a good EEROM. | Great |
| 2 | Card defect | . QX141 defect | Replace with a good PCB. | Great |
| 3 | Control power supply defect | . QX084 5V output defect There may be an error in the QX084 5V output. Measure the voltage and ripple with the QX084 test pin CPD03. Check that the TEST pin has not be set by mistake. | Replace with a good PCB. Release setting. | Small |

(9) Z52 Battery drop

(a) Meaning

The voltage of the battery mounted on the front of the control power supply to save the data in the NC has dropped below the specified value (2.6V).

(b) Cause and measures

The direct cause is that the battery voltage has dropped below the specified value (2.6V) due to the battery life. However, if the above alarm occurs at a point remarkably sooner than the battery life (7 years), the discharge current in the control PC6 may be excessive. Measure the discharge current before replacing the current.

List of presumed causes

| No. | Presumed cause | Presumed cause (details) | Measures | Probability |
|-----|-----------------------------|--|--|-------------|
| 1 | Battery life | . Battery life | Replace with a new battery. | Great |
| 2 | Card defect | . SRAM memory card QX42□ card defect The SRAM memory card QX42□ is using too much of the battery current. . Other card defects Some of the PCBs use the battery for the CMOS power supply. QX141/QX521/QX524/QX571 | Replace with a good PCB. Replace with a good PCB. | Small |
| 3 | Control power supply defect | . QX084 defect The QX084 is using the battery for the CMOS power supply. | Replace with a good PCB. | Small |

(lo) Z53 Overheat

(a) Meaning

This alarm occurs when the NC control unit (measurement position is QX141) or the operation board (measurement position is QY201 or QY221) has risen above the specified value.

NC control unit : Alarm occurs at $70\pm 5^{\circ}\text{C}$, turns off when below $55\pm 5^{\circ}\text{C}$

Operation board : Alarm occurs at $70\pm 5^{\circ}\text{C}$, turns off when below $60\pm 5^{\circ}\text{C}$

(b) Cause and measures

List of presumed causes

| No. | Presumed cause | Presumed cause (details) | Measures | Probability |
|-----|---------------------|--|--|-------------|
| 1 | Working environment | <ul style="list-style-type: none">The NC ambient temperature (0 to 45°C) has been exceeded. | Check that the unit is not in direct sunlight, and is not near a heat source (heater, etc.). | Great |
| 2 | Working environment | <ul style="list-style-type: none">The temperature is within the NC ambient temperature (0 to 45°C), but the body temperature has risen 10°C or more. | Refer to the 'Connection Manual' and check that measures against heat have been taken. | Great |
| 3 | Fan trouble | <ul style="list-style-type: none">Fan trouble | Replace with a good fan. | Medium |

(11) **Z55 DIO 24V error**

(a) **Meaning**

A 24V power supply must be connected by the user to the i/O interface DIO-A card (DIO card). This alarm will occur if the 24V power supply is not connected, or if the 24V load (relay, etc.) on the machine side has short circuited, and the 24V power has dropped.

(b) **Cause and measures**

List of presumed causes

| No. | Presumed cause | Presumed cause (details) | Measures | Probability |
|-----|--|--|--|-------------|
| 1 | No 24V power supply connection | . No 24V power supply connection | Refer to the 'Connection Manual' and connect a 24V power supply. | Great |
| 2 | 24V load on machine side short circuited | . The DO signal wire has short circuited with the GND, and an excessive load current has flowed. In this case, the output IC on the i/O interface DIO-A card may have been destroyed, so replacement of the card may be necessary. | Review the wiring. | Great |
| 3 | Card defect | . i/O interface DIO-A card defect | Replace with a good card. | Small |

(12) **210 QX42□ SRAM error**

(a) **Meaning**

This alarm occurs when an error (memory parity error, etc.) has occurred in the machining program register error (QX42□).

(b) **Cause and measures**

List of presumed causes

| No. | Presumed cause | Presumed cause (details) | Measures | Probability |
|-----|----------------|--|--|-------------|
| 1 | Battery alarm | . Battery alarm occur simultaneously. Follow '252 Battery drop'. | Follow the measures in '252 Battery drop'. | Great |
| 2 | Card defect | . QX42□ defect | Replace with a good card. | Small |

3.5 Procedure for Inspection of Each Trouble

(1) Confirmation of power voltage

Confirmation of input power voltage

The 3-phase input power voltage is connected to the non-fuse breaker terminals R,S,T, on the NC side via the non-fuse breaker on the machine side. Confirm that the specified voltage is being output here.

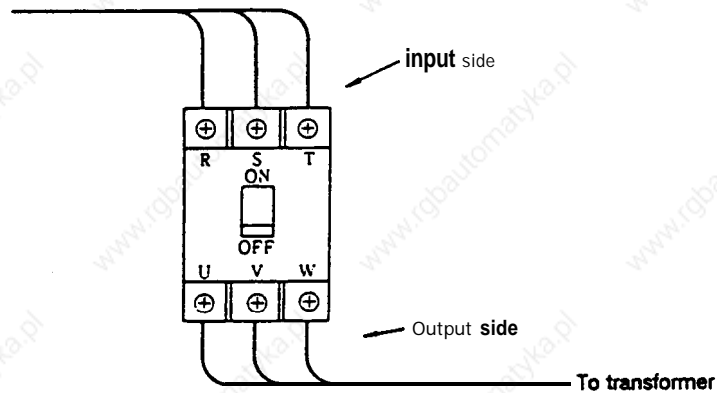


Fig. 3.5.1

The single-phase input voltage is connected to the DC power QX084 terminal on the control unit, so confirm that the specified voltage is being output here.

AC100V +10%
-15%

Confirmation of DC power voltage

The DC power voltage is output to the DC power QX084 connector on the control unit, so confirm that the specified voltage is being output here.

| | Max. total fluctuation rate | Max. ripple voltage |
|------|-----------------------------|---------------------|
| +5V | -2% ~ +2% | ~ 50mV |
| +12V | -2% ~ +2% | ~ 60mV |
| -12V | -2% ~ +2% | ~ 60mV |
| +24V | -15% ~ +15% | ~ 200mV |

(Note 1) The QX064 machine input/output power (+24V) capacity will increase according to the system, so refer to the corresponding item in the 'Connection Manual'.

(Note 2) A voltage adjustment variable resistor is not mounted on QX084, so settings to slightly fluctuate the 5V voltage for testing will be required.

1-2 ON 4.75"
2-3 ON 5.25"

(2) Connection of control power supply

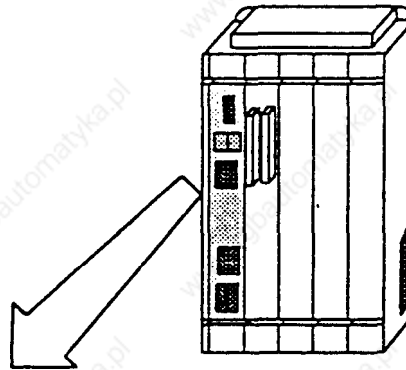


Fig. 3.52 Mounting position of control power supply

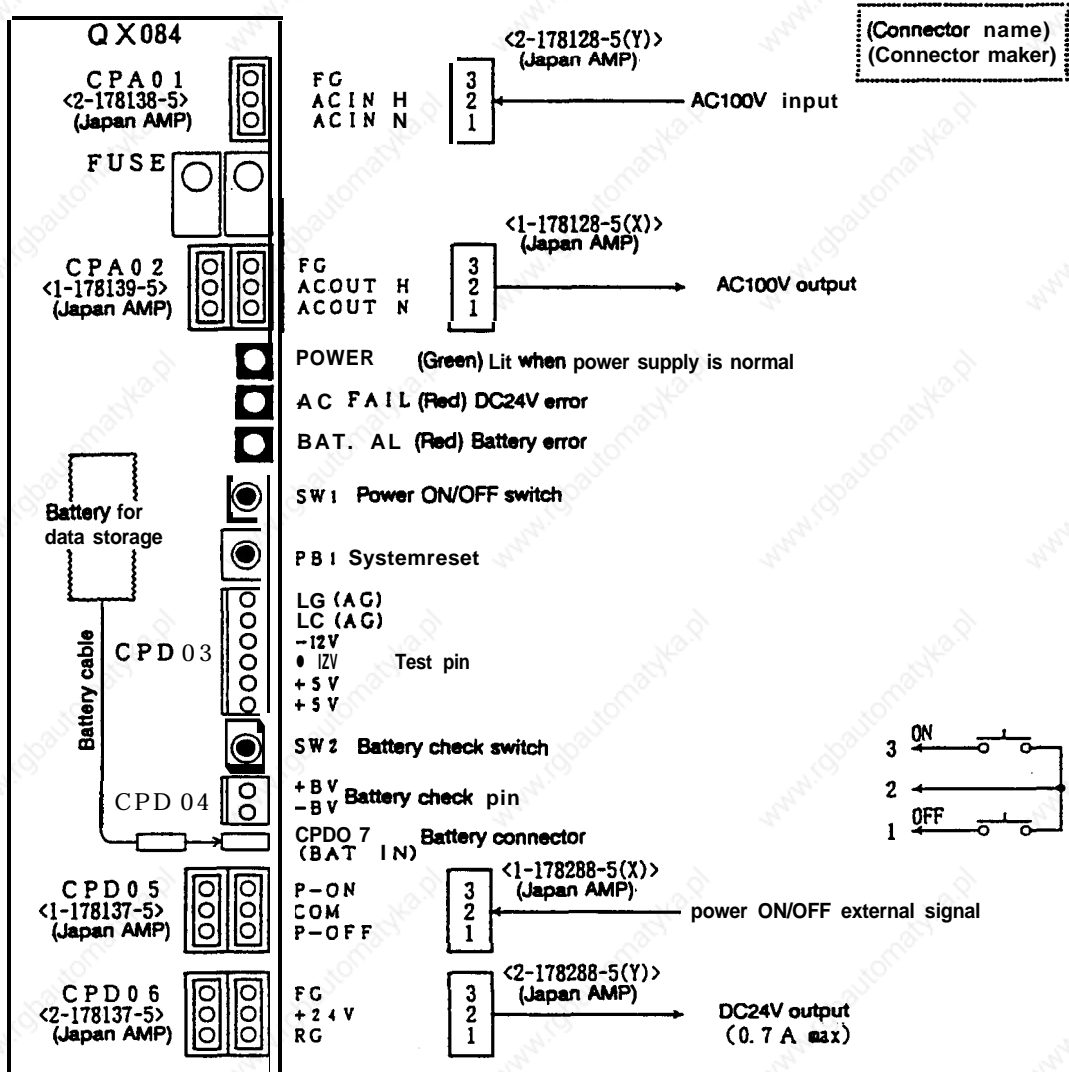


Fig. 3.53 Control power supply QX084 connector layout

(Note 1) Use a twisted pair shield cable that is 2mm² or longer for AC1 WW wiring.

(Note 2) Use a shield cable for the wiring to the AC ON/Off switch, and connect the shield to the common terminal.

3.6 Replacement of Various Units in Control Unit

The procedure for replacing the control unit is shown in Fig. 3.6.

When replacing the unit, refer to this drawing and the following explanations.

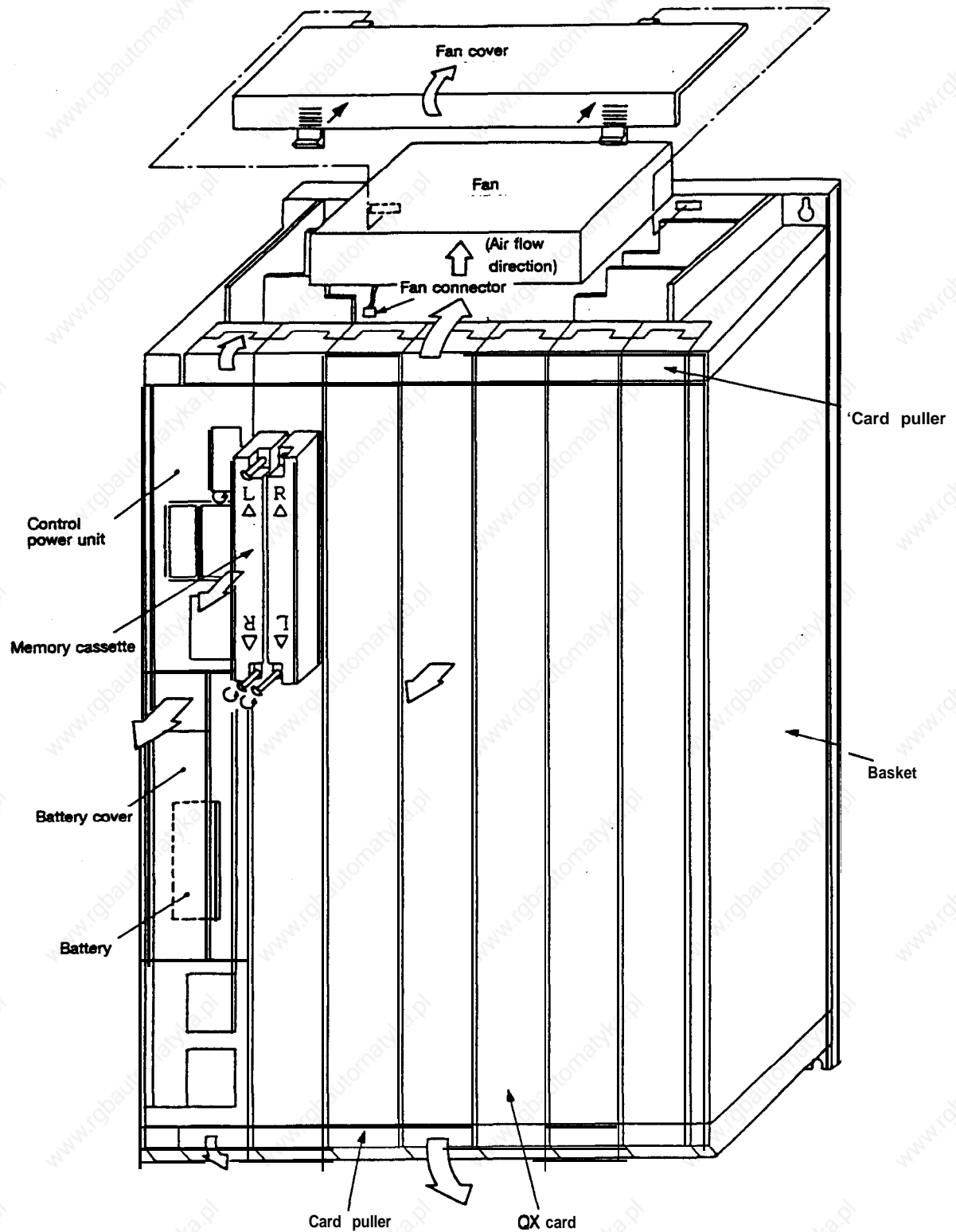


Fig. 3.6 Control unit replacement procedure drawing

3.6.1 Replacement of power unit

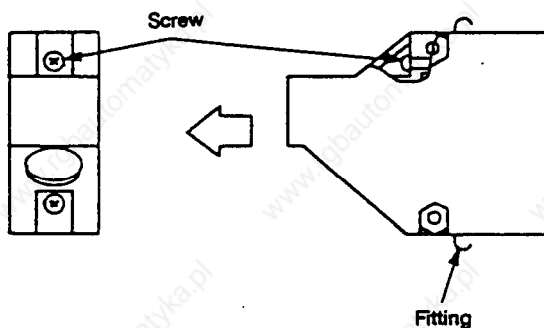
- ① Disconnect all connector cables, etc.
- ② Rotate the upper and lower card pullers on the power unit, and pull out in the direction of the arrow.
- ③ When mounting a new power unit, follow steps ② and ① in reverse.

3.6.2 Replacement of cooling fan

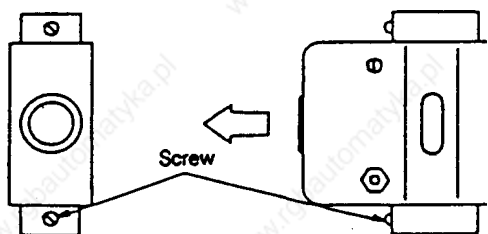
- ① Follow procedure 3.6.1 and remove the power unit.
- ② Press the notch on the front of the fan cover, and remove the cover.
- ③ Put your hand in through the front of the basket and pull out the connectors connected from the fan to the back panel.
- ④ Remove the fan. (It is only held by the fan cover.)
- ⑤ When mounting a new fan, follow steps ④ to ① in reverse.
(Insert the fan while sliding it along the guide.)

3.6.3 Replacement of the QX card

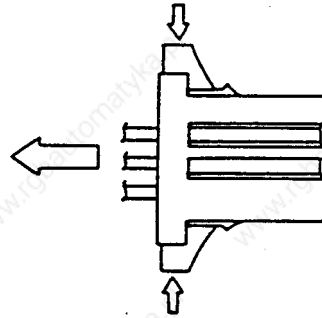
- ① If a connector is connected, remove it with the following steps.
 - (1) For the following type of connector, loosen the two screws, and pull out the connector while holding the fitting.



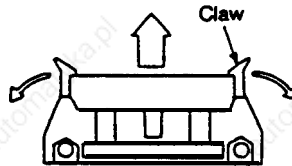
- (2) For the following type of connector, loosen the two screws, and pull out the connector.



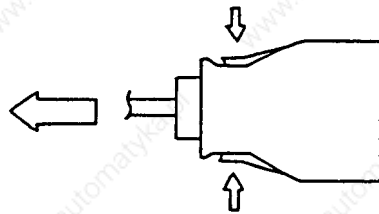
(3) For the following type of connector, pull out the connector while pressing it in the direction of the arrows.



(4) For the following type of connector, open the claws in the direction of the arrows and pull out the connector.



(5) For the following type of connector, pull out the connector while pressing it in the direction of the arrows.

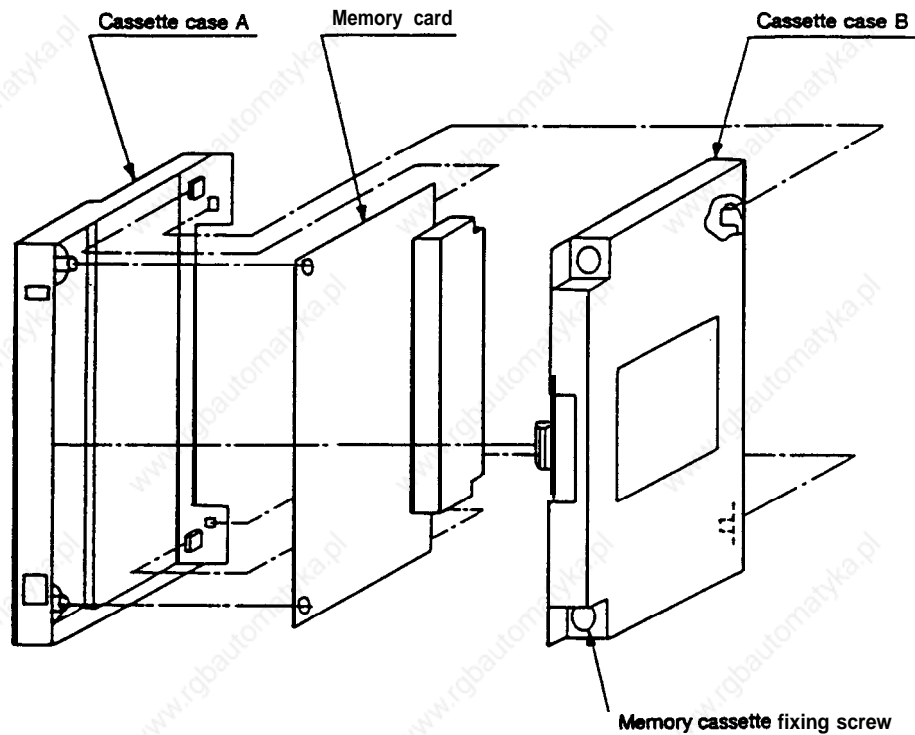


② When the upper and lower card pullers are opened into the direction of the arrow shown in Fig. 3.6, the QX card will protrude slightly, and can be pulled out.

③ When mounting a new QX card, slide the card into the back along the guide groove on the basket. The card name is indicated on the basket, so make sure that the card is inserted into the correct slot.

④ Close the card lock.

3.6.4 Replacement of memory cassette card



- ① Loosen the two screws fixing the memory Cassettes, and remove the card from the memory card unit.
- ② Release the claws from cassette case A while pressing down on the notch on the front of cassette case B.
- ③ Remove cassette case B from cassette case A .
- ④ After lifting up the front end of the memory card, pull the connector side end from the cassette case A groove.
- ⑤ When mounting a new memory card, follow steps ④ to ① in reverse.

3.6.5 Precautions during replacement

- (1) Take care as parts are mounted on both sides of the QX card. Parts are mounted on the PCB front surface (C surface) and back surface (S surface).**
 - Take care not to damage the S surface parts when replacing the CPU, ROM or PAL
- (2) The memory cards (QX423, QX424, QX425) save data with a super capacitor.**
 - Always replace the card within 30 minutes.
 - The memory will be damaged if the card is touched with a metal part (ex. screwdriver).
- (3) Normally, parts that are susceptible to static electricity are mounted on the PCB.**
 - Workers must demagnetize themselves before starting operation. (Especially during the winter.)
 - Do not touch the electronic parts.
 - Carpets, etc., generate a static electricity with a very high voltage. Take special care.

4. Installation Adjustment Procedure

Take special care to the following points when installing the MELDAS 500.

If these points are not observed, the NC performance may not be satisfactory.

4.1 Working Conditions

The following conditions are to be applied when installing a cabinet or pendant designed and manufactured by the machine maker. Observe the points listed in section '3.3 Cabinet and pendant design conditions in the 'Connection Manual' to satisfy the following conditions.

(1) Ambient temperature

During operation: 0 to 45°C (The ambient temperature for the control unit is 0 to 55°C)

Observe a temperature of 10 to 30°C during operation (pendant internal temperature 10 to 40°C) when using a system that has a built-in floppy disk unit.

(2) Humidity

Normal relative humidity: 75% or less

The insulation or parts will deteriorate easily if the humidity is high. Special dehumidification measures are not necessary, but avoid installing the system in areas with extreme humidity.

(3) Vibration

During operation: 0.5G or less

In systems with a built-in floppy disk unit, the unit will malfunction if the pendant is moved suddenly during the floppy disk operation.

During transportation: 3.5G or less

(4) Atmosphere

Avoid use in environments that have large quantities of dust or high concentrations of organic or corrosive gas mist.

4.2 Input Power

(1) Input voltage

Control unit: AC100V $\begin{matrix} +10\% \\ -15\% \end{matrix}$

(2) Frequency: 50/60Hz $\pm 2\%$

(3) Power consumption: Refer to section '3.2.3 Power consumption' in the 'Connection Manual' for the control section.

Refer to the 'MELDAS Servo System Specifications' for the drive section.

4.3 External Connections

Follow the procedure given below for connections from the control unit to external sources.

4.3.1 Connection of input power

The 3phase input power is connected to the amplifier terminal via the non-fuse breaker on the machine side.

The NC control unit's single-phase AC100V is connected to connector CPA01 on NC power QX084. (Refer to the figure in section '3.5 Procedure for inspection of each trouble, (2) Connection of control power supply'.)

4.3.2 Connection of motor

Follow the 'Spindle and Servo Specifications'.

4.3.3 External connections

Connect the external connections according to section '4. Machine-to-machine connections' in the 'Connection Manual'. All of the cables led into the control unit and operation board must be shielded and clamped according to '3.4 Lead-in of cables and clamping' in the 'Connection Manual'.

These clamps not only support the cables but also shield the cables, and must be enforced for the system to operated properly and not malfunction due to noise, etc.

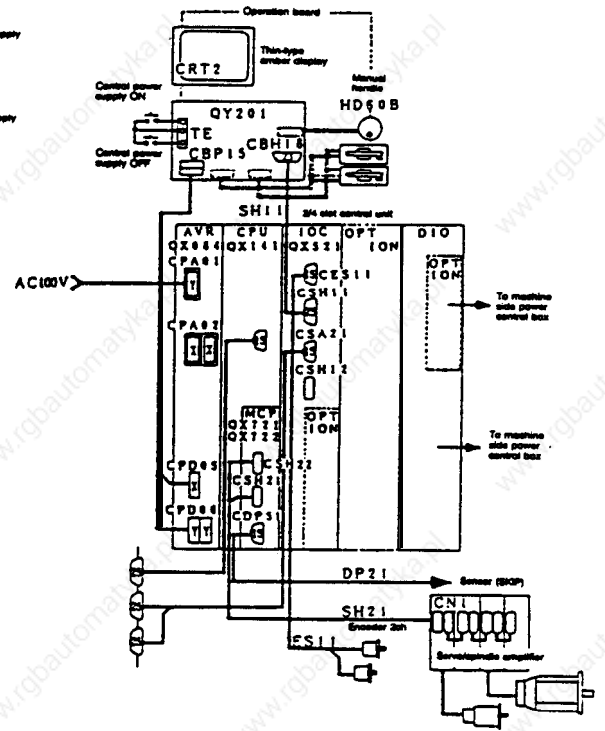
General system drawings are shown on the following page for explanation purposes.

Refer to the 'Connection Manual' for actual connections.

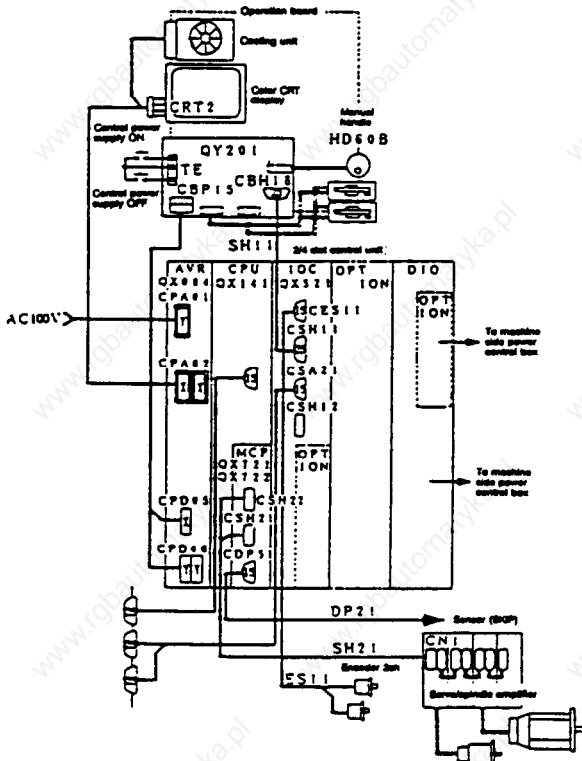
With 9 inch CRT display



With EL display



With color CRT display



With color LCD display

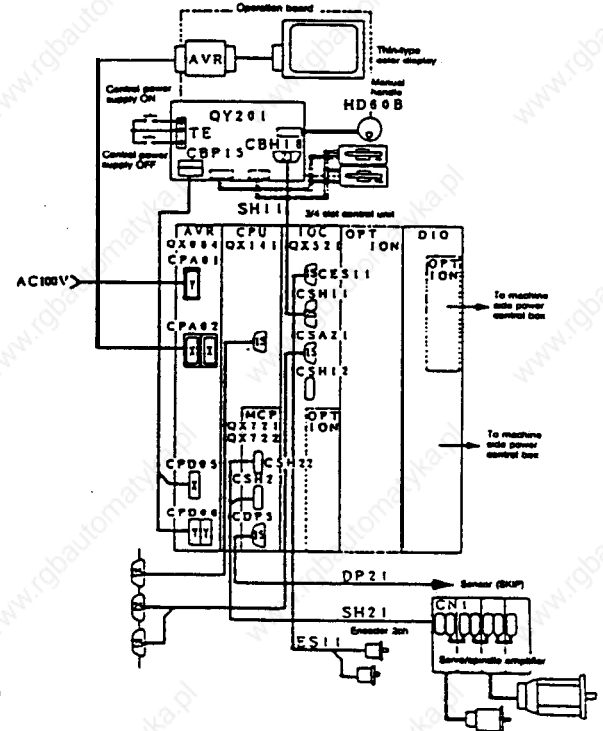


Fig. 4.3 General system drawings (for reference)

4.4 Installation Check List

| No. | Check item | Check details | Related sections |
|-----|---|---|--------------------------------|
| 1 | Check of wnfiguration component's appearance | Is them any dirt or damage on the NC wntrol unit or operation board caused during transportation? | |
| | | Have the PCBs in the card basket dislocated during transportation. Follow section 3.6 if the PCBs are dislocated, and securely insert them into the card basket. | Section 3.6 |
| 2 | Check of installation environment (during machine installation) | Is the ambient temperature of where the power control box is to be installed within 0°C to 45°C (the internal tempemture rise in the power control box must be 10° or less). Even if the external temperature is 45°C or less, do not install the system in direct sunlight, near a heat source, or outdoors. | Connection Manual, Section 3.1 |
| | | In systems where the floppy disk unit 4FD01A is mounted, is the ambient temperature of where the power wntrol box is to be installed within 10°C to 30°C (the internal temperature rise in the pendant must be 10° or less). | Connection Manual, Section 3.1 |
| | | Avoid installation in environments that have large quantities of dust or high wncentrations of organic or corrosive gas mist. | Connection Manual, Section 3.1 |
| 3 | Confirmation of settings | Confirm the PCB settings. | |
| | | Confirm that the rotary switches on the PCB are correctly set. | |
| | | Confirm that the DIP switches on the PCB are correctly set. | |
| 4 | Confirmation of PCB insertion | Confirm that the PCBs are securely inserted into the card basket. If the PCBs are inserted after installing onto the power control box, the DIN connector match may be loose. | Section 3.6 |
| 5 | Connection of external cables and grounding wire | Are the external cables screwed or locked? | Section 3.6 |
| | | Have the cables been clamped? Has the cable sheath been peeled, the shield exposed and that section wntacted against the earth plate with a cable clamp? | Connection Manual, Section 3.4 |
| | | Has each earth plate been grounded to one point? | Connection Manual, Section 3.4 |
| | | Has the NC control unit been property grounded? | Connection Manual, Section 5 |
| | | Has the operation board been properly grounded? | Connection Manual, Section 5 |
| | | Have the A, B and C signal wire groups been separated? | Connection Manual, Section 5 |
| 6 | Connection of power cable | Has the power cable been properly connected? | Section 3.5 |
| 7 | Confirmation of input power voltage and frequency | NC control unit: AC100 + 10% to -15%, 50/60Hz ± 2% | Section 4.2 |
| 6 | Confirm that the signal wire has not been ground faulted | Confirm that the output of the I/O interface DIO-A has not been short circuited with the grounding. | Connection Manual, Section 4.5 |
| | | Confirm that the output of the I/O interface DIO-A has not been short circuited with the 24V. | Connection Manual, Section 4.5 |
| | | Confirm that the DC24V output of the NC wntrol unit has not been short circuited with the OV. | Connection Manual, Section 4.5 |

4.6 Setting Capacity (hardware setting)

Outline

Settings are made to determine the various constants in the NC, characteristic constants on the machine side and specifications, etc. Settings are made with the hardware settings and software parameters.

If these settings are changed, the machine movement will be obstructed, so take special care when making any changes.

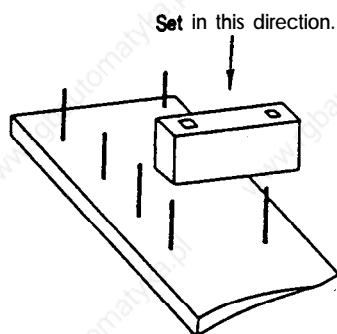
The hardware settings will be explained in this section.

Hardware settings are made by setting the setting pins, toggle switches and rotary switches mounted on each card in the control unit.

These settings have been set at the factory before shipment according to the 'MELDAS-500 Internal setting table' shown on the next page, and thus these do not need to be changed.

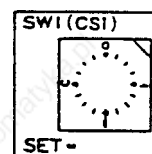
This 'MELDAS-500 Internal setting table' is included with each NC unit. (The one shown on the next page is an example.)

When replacing the cards or unit, refer to this 'MELDAS-500 Internal setting table' and the current card unit to make correct settings.



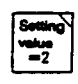

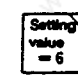
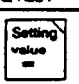
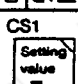
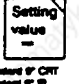


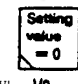
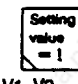
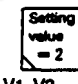
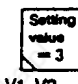
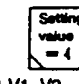
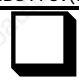

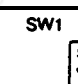
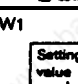
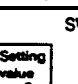
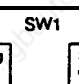
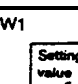


Precaution: DIO card system map setting method

The emergency stop input setting plug and system map binary switch (SW1) setting (SET=) for each DIO card is performed with the following settings.



| | DIO #1 | DIO #2 | DIO #3 | DIO #4 | DIO #5 | DIO #6 |
|----------------------|--------|--------|--------|--------|--------|--------|
| Emergency stop input | ON | OFF | OFF | OFF | OFF | OFF |
| System map SET= | 0 | 2 | 4 | 6 | 8 | A |

| MELDAS-500 Internal setting table | | | | | Client | Msgr. | |
|---|--|---|---|---|---|---|---|
| | | | | | Machine model name | | |
| Control power supply | <input type="checkbox"/> QX084 | TEST ● ● ● 5V adjustment | | Recording method (1) Place a check in the <input type="checkbox"/> according to the PCB mounted on the NC control unit, operation board and drive section. (2) If there are several PCBs to be filled into the columns, circle the name of the PCB mounted. (3) Note the rotary switch setting value after the "Setting value =" for the rotary switch. (4) The settings that are shaded are fixed (cannot be changed). | | | |
| | 1 2 3 | | Set to the above setting regardless of model | | | | |
| CPU module | <input type="checkbox"/> DX141/DX141-1 | | <input type="checkbox"/> QX423/QX424/QX425 | <input type="checkbox"/> QX721/QX722 | <input type="checkbox"/> (L)QX815/QX816 | | |
| |  CS1  Set to the above setting regardless of model | | SPC ● ● Super C 1 2 Set to the above setting regardless of model | SO ● ● ICE 1 2 Set to the above setting regardless of model | <input type="checkbox"/> (R)QX813/QX814/QX815/816 No settings | | |
| CRTC module | <input type="checkbox"/> QX524/QX521 | | <input type="checkbox"/> QX423/QX424/QX425 | <input type="checkbox"/> QX731 | <input type="checkbox"/> QX738 | <input type="checkbox"/> QX | |
| | No settings | | SPC ● ● Super C 1 2 Set to the above setting regardless of model | SO ● ● ICE 1 2 Set to the above setting regardless of model | S1 ● ● Final end 1 2 Set to the above setting regardless of model | | |
| DIO module | <input type="checkbox"/> QX531/QX533/QX535/QX537/QX539 #1 | <input type="checkbox"/> QX531/QX533/QX535/QX537/QX539 #2 | <input type="checkbox"/> QX531/QX533/QX535/QX537/QX539 #3 | <input type="checkbox"/> QX531/QX533/QX535/QX537/QX539 #4 | The upper level is the base card, the lower level is the add-on card. | | |
| | CS1  | CS1  | CS1  | CS1  | | | |
| Expansion module 1 | <input type="checkbox"/> QX311/QX312/QX314/QX317 | <input type="checkbox"/> QX311/QX312/QX314/QX317 | <input type="checkbox"/> QX311/QX312/QX314/QX317 | <input type="checkbox"/> QX311/QX312/QX314/QX317 | The add-on card has no settings. | | |
| | <input type="checkbox"/> QX571 | <input type="checkbox"/> QX423/QX424/QX425 | <input type="checkbox"/> QX771 | <input type="checkbox"/> QX721/QX722 | | | <input type="checkbox"/> (L)QX813/QX814/QX815/QX816 |
| Expansion module 2 | <input type="checkbox"/> QX571 | <input type="checkbox"/> QX423/QX424/QX425 | <input type="checkbox"/> QX771 | <input type="checkbox"/> QX721/QX722 | No settings | | |
| | XIF2 ● ● 2nd card 1 2 | SPC ● ● Super C 1 2 | SO ● ● ICE 1 2 | SO ● ● ICE 1 2 | | | |
| Operation board | <input type="checkbox"/> QY201 | <input type="checkbox"/> QY221 | <input type="checkbox"/> MC231 #1 | | <input type="checkbox"/> MC231 #2 | | |
| | CS1  | CS1  | S1 ● ● GND common | S1 ● ● GND common | No settings | | |
| CS2  | CS2  | S2 ● ● GND common | S2 ● ● GND common | | | | |
| | | S3 ● ● 24V common | S3 ● ● 24V common | | | | |
| | | S4 ● ● 24V common | S4 ● ● 24V common | | | | |
| | | S5 ● ● Always OFF | S5 ● ● Always OFF | | | | |
| | | S6 ● ● 2nd card | S6 ● ● 2nd card | | | | |
| | | 1 2 | 1 2 | | | | |
| Drive section | <input type="checkbox"/> MDS-A-CV(ch.1) | <input type="checkbox"/> axis | <input type="checkbox"/> axis | <input type="checkbox"/> axis | <input type="checkbox"/> axis | <input type="checkbox"/> axis | |
| | SW1  | SW1  | SW1  | SW1  | SW1  | SW1  | |
| | Contactor : 0 No contactor: 1 | A-V, V2 A-SP | A-V1, V2 A-SP | A-V1, V2 ASP | A-V1, V2 A-SP | A-V1, V2 ASP | A-V1, V2 ASP |
| | 0 MDS-A-cv(ch.2) | 0 axis | 0 uis | 0 axis | 0 0 axis | 0 axis | 0 0 axis |
| SW1  | SW1  | SW1  | SW1  | SW1  | SW1  | SW1  | |
| Contactor : 0 No contactor: 1 | A-V1, V2 ASP | A-V1, V2 ASP | A-V1, v2 ASP | A-V1, v2 ASP | A-V1, v2 A-SP | A-V1, V2 ASP | |
| Revision | Note <input type="checkbox"/> Do not connect <input checked="" type="checkbox"/> Connect | | | Main unit order | | BW. - | |
| | | | | Option order | | BW. - | |
| | | | | Order list No. | | SSO- - | |
| | | | | Manufacture No. | | S/N - | |
| | | | | SBW. - | | | |

5. Explanation of Hardware

5.1 Outline

An outline of the MELDAS 500 Series operation theory will be explained in this section.

Please refer to Fig. 1.1 'General configuration of system using M500 Series'.

The MELDAS 500 Series is composed of the control unit that can be called the control computer as a base, and the NC operation board and servo mechanism.

The control unit is composed of various control modules (integrated PCBs). The following three modules are mainly used.

The CPU module, is the data processing section that is made up of the main CPU QX141 (composed of the latest 32-bit CPU, memory, programmable controller, various gate arrays, and peripheral IC), SRAM memory QX42□, main cassette memory QX81 □, user PLC cassette memory QX81□, and axis movement control section QX721/QX722.

The CRT module is the display and control section made up of the graphic control PCB QX524 (including various functions other than display control) for color CRT correspondence, and graphic control PCB QX521 for black and white correspondence.

The DIO module is the I/O interface with the machine side.

The NC operation board has various display functions such as the CRT, EL and color LCD and the MDI setting function. The display between the NC operation board and control unit is performed with video signals, and the data is transferred with high speed serial transmission.

The servo mechanism is composed of a full digital servo amplifier, AC servo motor and position detector. Data is transferred between the full digital servo amplifier and control unit with high speed serial transmission.

To process the data, the CPU reads (fetches) one command at a time of the software (group of commands called the control program) that is read into the memory beforehand. The command is analyzed, executed and processed.

This control program is divided into several programs according to the required emergency of the data processing, and is located in the ROM on the memory cassette QX81□.

The program that is closely related to the hardware and which waits for controls is called the monitor.

Many programs (called tasks) run under the control of the monitor, and include the following:

First, the contact input on the machine side, and contact output and command pulse distribution to the machine side must be processed within a set interval. Thus, these have the highest priority. The machine control program that processes these is called motion.

Next, the calculation program that reads the tape command, analyzes the NC command to precalculate the data required for the above process, and that performs interpolation is called the pre-program.

The man-machine interface program that displays data on the CRT setting and display unit, and processes the data input with the keys is called the operator controlled program.

If these programs are processed in order, the request for work with a high degree of emergency cannot be satisfied, so each task is given an order of priority, and processes are performed according to this order.

If, during a certain task, a request for processing a task with a higher priority is received, the currently executed task will be interrupted, and the requested task will be executed. If an even higher task is received, that task will be performed first, and when completed, the task interrupted last will be executed. The task interrupted first will be executed last.

The operation flow of the MELDAS 500 Series is as shown in Fig. 5.1 .1.

As can be seen in the flow chart, the MELDAS 500 Series reads in the data on the machine side with the built-in CPU, and makes various judgements according to that data and performs controls.

In the automatic mode, when the CYCLE START button is pressed, the machining program is read in from the memory. If it is a movement command, the movement data for each axis is calculated and output to the servo amplifier.

If it is machine operation data, the data will be output to the power control sequence.

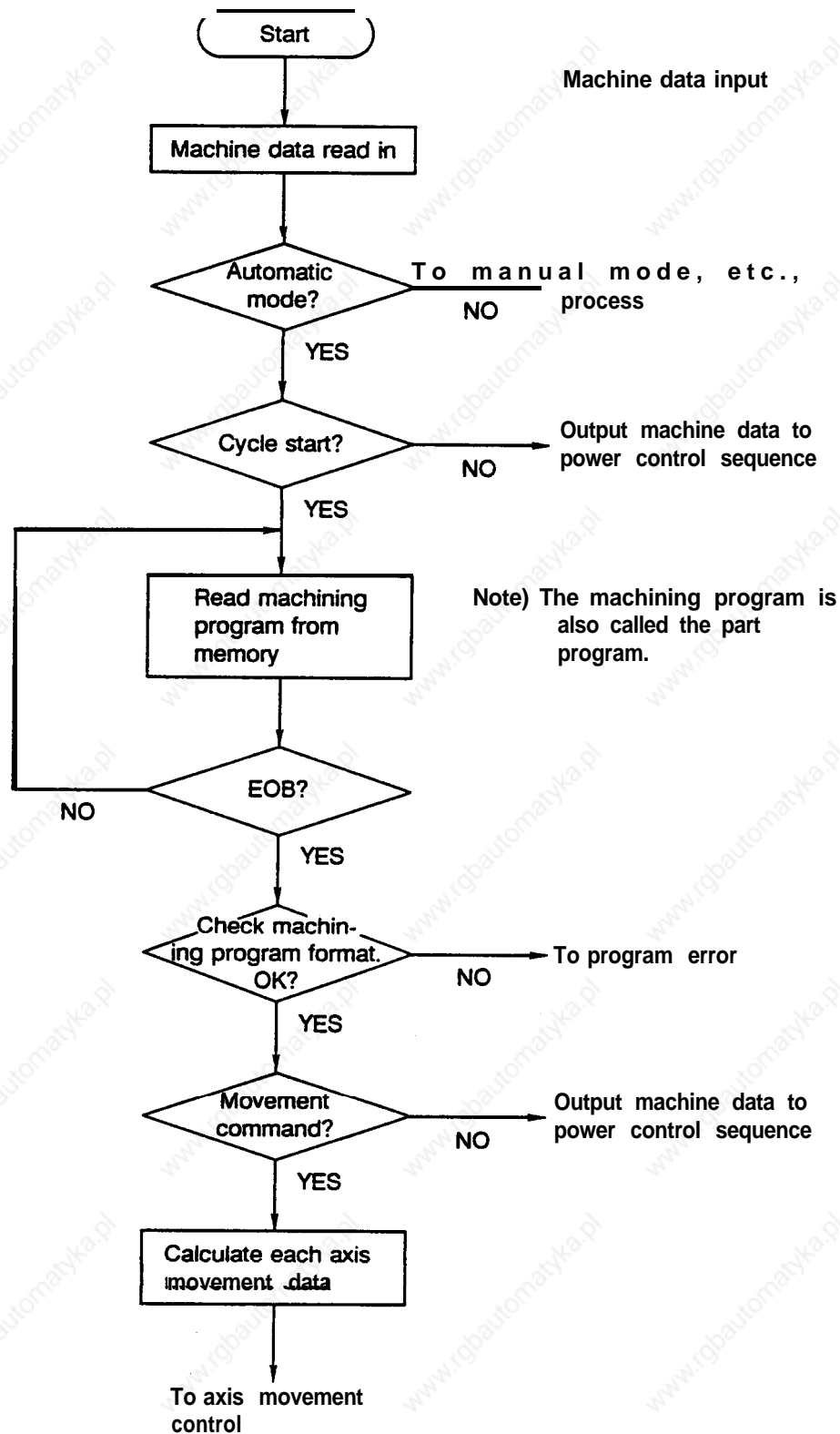
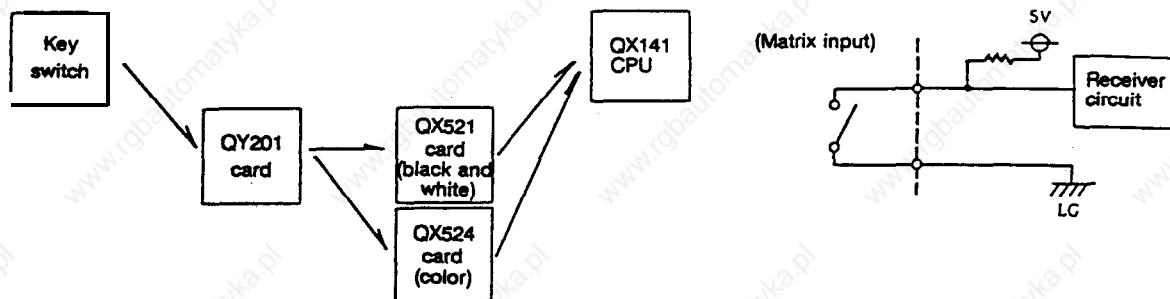


Fig.51 MELDAS 500 Series Operation Flow Chart

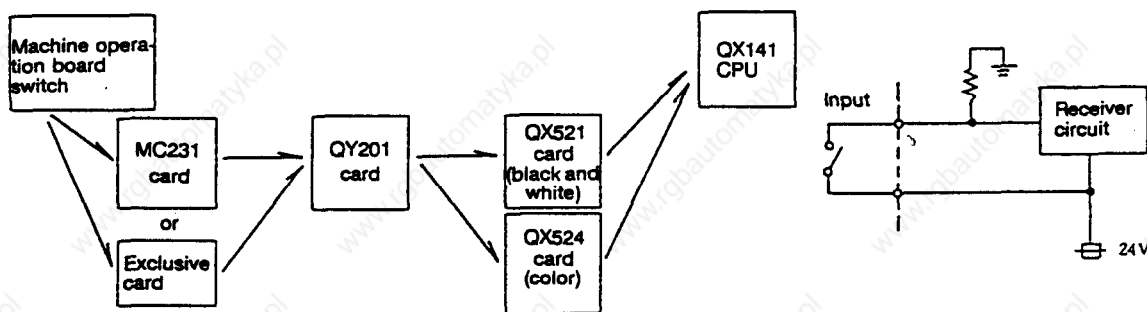
CRT setting and display unit key input

When the key switches on the CRT setting and display unit are pressed, the inputs are read into the NC unit with the following route.



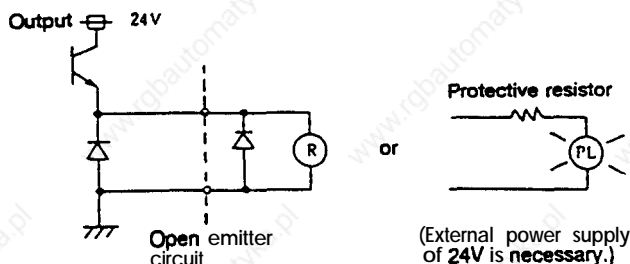
Machine operation board input

In addition to reading in the machine contact inputs of the switches on the machine operation board as explained above, these can be read into the NC with the following route.



Machine operation board lamp output

The machine operation board lamps (including LEDs) can be lit up with the following route in addition to outputting to the machine side.



5.2 Flow of Signals

Machine contact input



Output to machine side



(Note) VDE regulations
(input circuit: 24V common, output circuit: open emitter (also called source output))



Non-VDE regulations

(input circuit: GND common, output circuit: open collector (also called sink output))

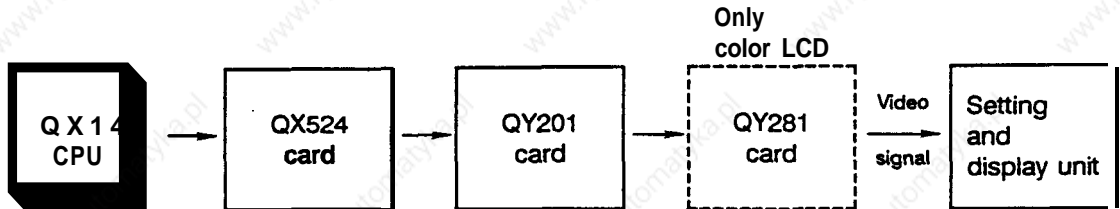


Screen display

Display outputs to a 9 inch CRT or 9.4 inch EL screen is performed with the following route.



Display outputs to a 14 inch CRT or 10.4 inch color LCD screen is performed with the following route.

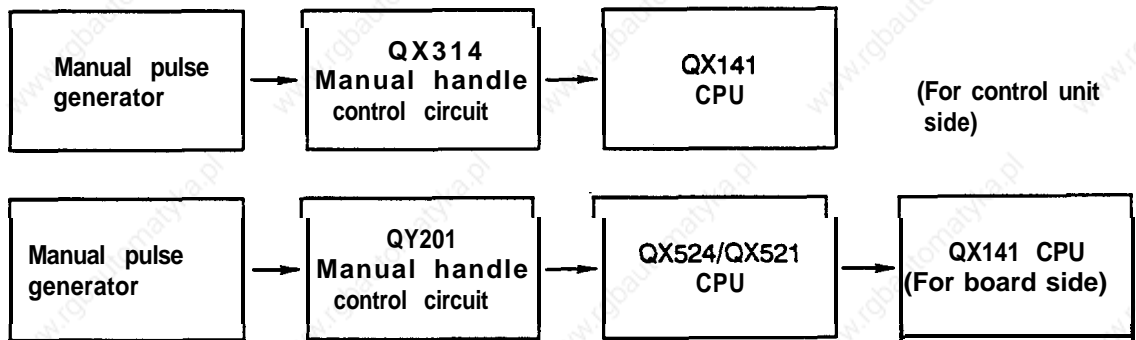


Manual pulse generator (manual handle)

This is used to finely feed the machine table in the manual mode.

One pulse is output with each scale on the manual pulse generator, and 25 pulses are output with one dial rotation (100 pulses when multiplied by four).

The movement amount per scale can be changed to 0.001mm, 0.01mm or 0.1mm with the external magnification selection switch.



The manual handle's internal circuit is as shown below.



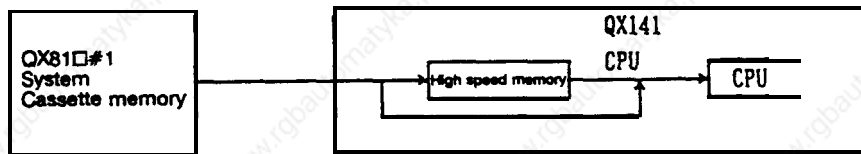
On the slit disk, the A phase and B phase are deviated, and thus, the A phase output and B phase output are deviated by a 90° phase. This phase deviation will be either the A phase or B phase first according to the direction that the disk is rotated. In the MC301/MC201 manual handle control circuit, these are discriminated by phase and discriminated by rotation direction.



Execution of program and accessing of memory

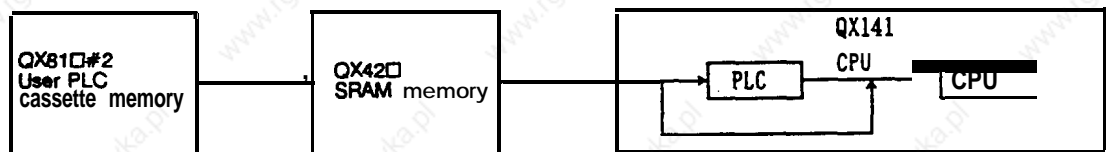
The route that the CPU uses to fetch the command from the memory is as follows:

1. System program



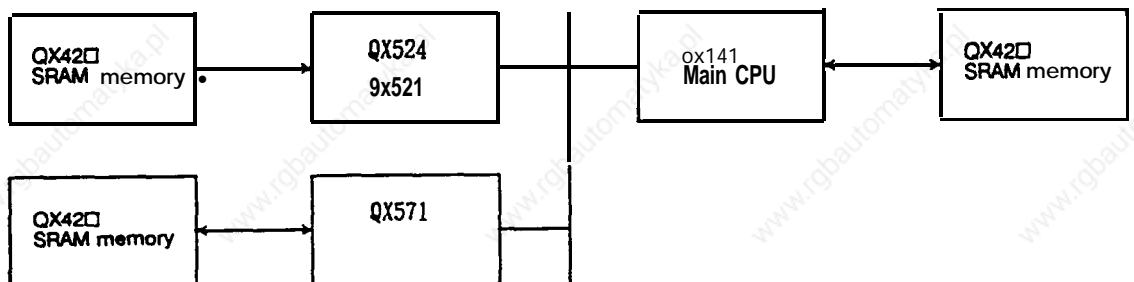
Programs in the cassette memory (system program) on the left side of the CPU module that require high speed processing, are transferred to the high speed memory in the main CPU when the system power is turned on. Thereafter, the commands are fetched from this high speed memory. (The automatic program may also fetch commands from the cassette memory in the module that has a special memory added to it.)

2. User PLC program



Programs in the cassette memory (user PLC) on the right side of the CPU module that require high speed processing, are transferred to the QX42□ SRAM memory when the system power is turned on. Thereafter, the commands are fetched from this SRAM memory.

When the memory is referred to (read, written) during the command, the data flow will be as shown below.



Machining program memory area

If the tape length is short, the machining program will be written into the QX42□ SRAM memory in the CPU module, but if long, the program will be stored in the QX42□ SRAM memory in the CRTC module.

5.3 Control Unit Functions and Handling

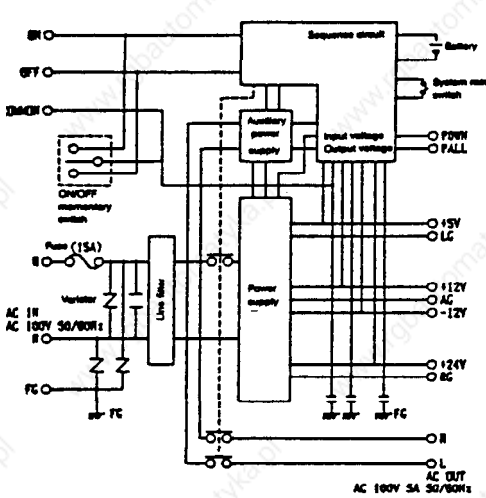
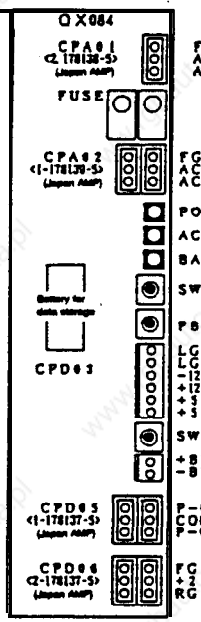
The MELDAS 500 Series control unit 4MU301, 4MU401 and 4MU601 is composed of the DC power supply QX084, back panel QX031, QX041, QX061 and various control modules. These are mounted on a compact and lightweight unit.

The configuration of this control unit is shown in the Table of configuration units in section 1.4.


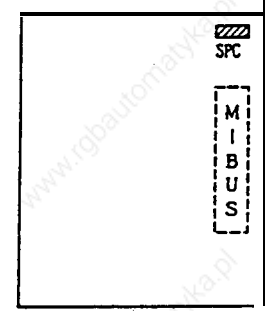
The inside of this control unit is as shown in the Internal system diagram in section 1.1.2.

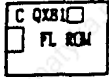
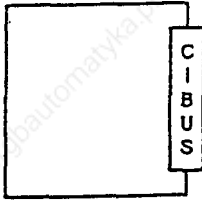
The following pages explain the setting of the various configuration elements and adjustment positions of this control unit.

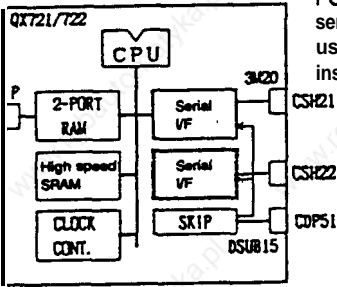
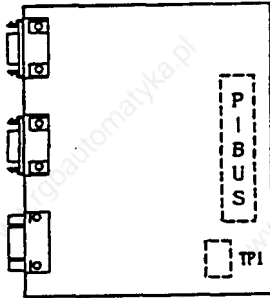
5.3.1 Power supply

| QX084 | Appearance and connection connectors | Supplementary explanation | | | | | | | | | | | | | | | | | | | | | | | | | | | | | | | | | | | | | | |
|---|---|---------------------------|--------------|---------------|------|----------------------|-----|----|------|----|------------------------|-------------|-------------|-------------|--------------|----------------|--------------|--------------|--------------|---------------|---|-------------|-------------|----------|-------|--|-----|---------|---|---------|--------|---|---------|-----|------------------------------------|---|-----|------------------------------------|---|---|
| <p>This is the M500 Series control unit's DC power supply. A 5V±12V and 24V DC voltage is created.</p> <p>Input side</p>  <p>Output</p> <p>The following values are a guideline for the output performance.</p> <table border="1" data-bbox="207 1243 685 1367"> <thead> <tr> <th>Rated output voltage</th> <th>+5V</th> <th>+12V</th> <th>-12V</th> <th>+24V</th> </tr> </thead> <tbody> <tr> <td>Rated output current</td> <td>15A</td> <td>1A</td> <td>0.5A</td> <td>2A</td> </tr> <tr> <td>Total fluctuation rate</td> <td>±2% or less</td> <td>±2% or less</td> <td>±2% or less</td> <td>±15% or less</td> </tr> <tr> <td>Ripple voltage</td> <td>50mV or less</td> <td>80mV or less</td> <td>80mV or less</td> <td>200mV or less</td> </tr> </tbody> </table> <p>AC100 OUT</p> <p>5A</p> <p>The power supply QX084 detects under-voltage or temporary stoppage of input voltage and overvoltage, undervoltage and under currents of the output voltage. When detected, the power is automatically turned off.</p> <p>However, for +24V, the output droops during an overcurrent operation and the power is not turned off. In this case, the power supply LED lamp (red) will light. This LED lamp lights when the input voltage is detected as 85V or less or 130V or higher. Once lit, it will remain lit until the power is turned on.</p> <p>If the power supply is turned off due to a detection of overvoltage in the output voltage, an error signal will be output in the power supply section and will be held. Thus, the power will not turn on even if the power ON switch is turned on. (Turn off the main I/FB (approx. 2 minutes), and turn on again. The error signal will be released, and the power can be turned on.)</p> | Rated output voltage | +5V | +12V | -12V | +24V | Rated output current | 15A | 1A | 0.5A | 2A | Total fluctuation rate | ±2% or less | ±2% or less | ±2% or less | ±15% or less | Ripple voltage | 50mV or less | 80mV or less | 80mV or less | 200mV or less | <p>Appearance and connection connectors</p>  <p>Description of settings and LED</p> <table border="1" data-bbox="723 1263 1124 1533"> <thead> <tr> <th>Setting LED</th> <th>Description</th> <th>Standard</th> </tr> </thead> <tbody> <tr> <td>POWER</td> <td>Indicates normal power supply when green LED is lit.</td> <td>Lit</td> </tr> <tr> <td>AC FAIL</td> <td>Indicates that a DC 24V error, AC input overvoltage, or AC input undervoltage has occurred when red LED is lit.</td> <td>Not lit</td> </tr> <tr> <td>BAT-AL</td> <td>Indicates that battery voltage is 2.6V or less when red LED is lit.</td> <td>Not lit</td> </tr> <tr> <td>SW1</td> <td>Top: Power ON Bottom: Power OFF</td> <td>—</td> </tr> <tr> <td>PB1</td> <td>System reset switch (Do not touch)</td> <td>—</td> </tr> </tbody> </table> | Setting LED | Description | Standard | POWER | Indicates normal power supply when green LED is lit. | Lit | AC FAIL | Indicates that a DC 24V error, AC input overvoltage, or AC input undervoltage has occurred when red LED is lit. | Not lit | BAT-AL | Indicates that battery voltage is 2.6V or less when red LED is lit. | Not lit | SW1 | Top: Power ON Bottom: Power OFF | — | PB1 | System reset switch (Do not touch) | — | <p>Supplementary explanation</p> <p>Usage format</p> <ol style="list-style-type: none"> M500 Series common power supply <p>Maintenance comment</p> <p><u>Causes of input fuse blowing</u></p> <p>A protection fuse is mounted on the AC input line in the power supply QX084. The following causes can be considered when the fuse blows.</p> <ol style="list-style-type: none"> Power capacity for AC OUT output exceeded. (including AC OUT output short circuit) Short circuit of varistor inserted between AC lines. Short circuit of rectifying diode stack in power supply. Short circuit between Cand E of the switching transistor in the power supply. Short circuit of rectifying diode stack in auxiliary power supply Short circuit between Cand E of the switching transistor in the auxiliary power supply. |
| Rated output voltage | +5V | +12V | -12V | +24V | | | | | | | | | | | | | | | | | | | | | | | | | | | | | | | | | | | | |
| Rated output current | 15A | 1A | 0.5A | 2A | | | | | | | | | | | | | | | | | | | | | | | | | | | | | | | | | | | | |
| Total fluctuation rate | ±2% or less | ±2% or less | ±2% or less | ±15% or less | | | | | | | | | | | | | | | | | | | | | | | | | | | | | | | | | | | | |
| Ripple voltage | 50mV or less | 80mV or less | 80mV or less | 200mV or less | | | | | | | | | | | | | | | | | | | | | | | | | | | | | | | | | | | | |
| Setting LED | Description | Standard | | | | | | | | | | | | | | | | | | | | | | | | | | | | | | | | | | | | | | |
| POWER | Indicates normal power supply when green LED is lit. | Lit | | | | | | | | | | | | | | | | | | | | | | | | | | | | | | | | | | | | | | |
| AC FAIL | Indicates that a DC 24V error, AC input overvoltage, or AC input undervoltage has occurred when red LED is lit. | Not lit | | | | | | | | | | | | | | | | | | | | | | | | | | | | | | | | | | | | | | |
| BAT-AL | Indicates that battery voltage is 2.6V or less when red LED is lit. | Not lit | | | | | | | | | | | | | | | | | | | | | | | | | | | | | | | | | | | | | | |
| SW1 | Top: Power ON Bottom: Power OFF | — | | | | | | | | | | | | | | | | | | | | | | | | | | | | | | | | | | | | | | |
| PB1 | System reset switch (Do not touch) | — | | | | | | | | | | | | | | | | | | | | | | | | | | | | | | | | | | | | | | |

| QX141/QX141-1 | | Appearance and connection connector | Supplementary explanation | | | | | | | | | | | | | | | | | | |
|--|---|---|---------------------------|--|----------|--|---------------------------------------|-------------|--------|--|------|---------------------------|------------|-------------|--------|---|-------------------|------|--|-------------------|--|
|  <p>The difference between the QX141 and QX141-1 is that the QX141 has floating point processing functions and the QX141-1 does not have this function. The other functions are the same.</p> | |  <p>Description of settings and LED</p> <table border="1"> <thead> <tr> <th>Setting LED</th> <th>Description</th> <th>Standard</th> </tr> </thead> <tbody> <tr> <td>CS1</td> <td>Used only for multi-CPU configuration</td> <td>0</td> </tr> <tr> <td>PB1</td> <td>Software abort switch</td> <td></td> </tr> <tr> <td>SW1</td> <td></td> <td>all OFF</td> </tr> <tr> <td>LED1</td> <td>Watch dog alarm when red LED is lit.</td> <td>Green LED flicker</td> </tr> <tr> <td>LED2</td> <td>Memory parity error when red LED is lit.</td> <td>Green LED flicker</td> </tr> </tbody> </table> | Setting LED | Description | Standard | CS1 | Used only for multi-CPU configuration | 0 | PB1 | Software abort switch | | SW1 | | all OFF | LED1 | Watch dog alarm when red LED is lit. | Green LED flicker | LED2 | Memory parity error when red LED is lit. | Green LED flicker | <p>Usage format Use only for CPU module</p> <p>Maintenance comment The machine characteristic or NC unit characteristic parameters are registered in the EEPROM the original EEPROM (with socket) must be used when this card is replaced.</p> |
| Setting LED | Description | Standard | | | | | | | | | | | | | | | | | | | |
| CS1 | Used only for multi-CPU configuration | 0 | | | | | | | | | | | | | | | | | | | |
| PB1 | Software abort switch | | | | | | | | | | | | | | | | | | | | |
| SW1 | | all OFF | | | | | | | | | | | | | | | | | | | |
| LED1 | Watch dog alarm when red LED is lit. | Green LED flicker | | | | | | | | | | | | | | | | | | | |
| LED2 | Memory parity error when red LED is lit. | Green LED flicker | | | | | | | | | | | | | | | | | | | |
| <table border="1"> <thead> <tr> <th>Specification item</th> <th>Specification</th> </tr> </thead> <tbody> <tr> <td>CPU</td> <td>32-bit high speed MPU (QX141 has FPP, QX141-1 does not have PPP)</td> </tr> <tr> <td>PLC</td> <td>LSI that executes high speed sequence processing</td> </tr> <tr> <td>EPROM</td> <td>Monitor ROM</td> </tr> <tr> <td>EEPROM</td> <td>Registers machine characteristic or NC characteristic parameters</td> </tr> <tr> <td>DRAM</td> <td>Dynamic RAM (with parity)</td> </tr> <tr> <td>Serial I/O</td> <td>RS-232 2ch.</td> </tr> <tr> <td>Others</td> <td>Interrupt control circuit CTC (Counter timer) RTC (Clock mechanism). Cassette memory read/write function</td> </tr> </tbody> </table> | Specification item | Specification | CPU | 32-bit high speed MPU (QX141 has FPP, QX141-1 does not have PPP) | PLC | LSI that executes high speed sequence processing | EPROM | Monitor ROM | EEPROM | Registers machine characteristic or NC characteristic parameters | DRAM | Dynamic RAM (with parity) | Serial I/O | RS-232 2ch. | Others | Interrupt control circuit CTC (Counter timer) RTC (Clock mechanism). Cassette memory read/write function | | | | | |
| Specification item | Specification | | | | | | | | | | | | | | | | | | | | |
| CPU | 32-bit high speed MPU (QX141 has FPP, QX141-1 does not have PPP) | | | | | | | | | | | | | | | | | | | | |
| PLC | LSI that executes high speed sequence processing | | | | | | | | | | | | | | | | | | | | |
| EPROM | Monitor ROM | | | | | | | | | | | | | | | | | | | | |
| EEPROM | Registers machine characteristic or NC characteristic parameters | | | | | | | | | | | | | | | | | | | | |
| DRAM | Dynamic RAM (with parity) | | | | | | | | | | | | | | | | | | | | |
| Serial I/O | RS-232 2ch. | | | | | | | | | | | | | | | | | | | | |
| Others | Interrupt control circuit CTC (Counter timer) RTC (Clock mechanism). Cassette memory read/write function | | | | | | | | | | | | | | | | | | | | |

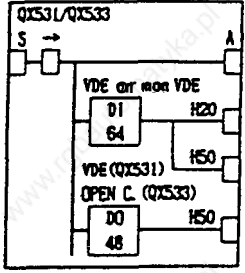
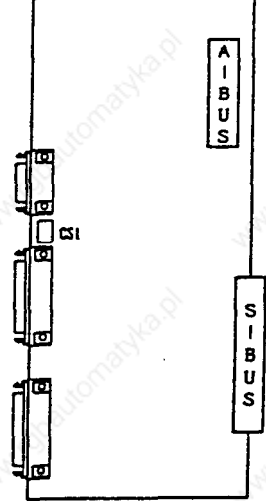
| QX423/QX424/QX425 | | Appearance and connection connector | Supplementary explanation | | | | | | |
|---|---|--|---------------------------|---|----------|----------------------|--|----|---|
|  <p>The QX42□ can be the SRAM memory card.</p> | |  <p>(View from soldered face)</p> <p>Description of settings and LED</p> <table border="1"> <thead> <tr> <th>Setting LED</th> <th>Description</th> <th>Standard</th> </tr> </thead> <tbody> <tr> <td>SPC</td> <td>ON when backing up SRAM with super capacitor</td> <td>ON</td> </tr> </tbody> </table> | Setting LED | Description | Standard | SPC | ON when backing up SRAM with super capacitor | ON | <p>Usage format CPU module (Data, stack area, machining program, user PLCs) CRTC module (large capacity memory) Special additional module (Data for automatic program, stack area)</p> <p>Maintenance comment</p> |
| Setting LED | Description | Standard | | | | | | | |
| SPC | ON when backing up SRAM with super capacitor | ON | | | | | | | |
| <table border="1"> <thead> <tr> <th>Specification item</th> <th>Specification</th> </tr> </thead> <tbody> <tr> <td>SRAM</td> <td>QX423 512kB (with parity) QX424 1MB (with parity) QX425 2MB (with parity)</td> </tr> <tr> <td>Back up</td> <td>With super capacitor</td> </tr> </tbody> </table> | Specification item | Specification | SRAM | QX423 512kB (with parity) QX424 1MB (with parity) QX425 2MB (with parity) | Back up | With super capacitor | | | |
| Specification item | Specification | | | | | | | | |
| SRAM | QX423 512kB (with parity) QX424 1MB (with parity) QX425 2MB (with parity) | | | | | | | | |
| Back up | With super capacitor | | | | | | | | |

| QX813/QX814/QX815/QX816 | | Appearance and connection connector | Supplementary explanation | | | | | | |
|--|---|--|--|-------------|----------|--|---------------------|--|--|
|  <p>The QX81□ card is a ROM card composed of the flush ROM.</p> | |  | <p>Usage format</p> <ol style="list-style-type: none"> CPU module on QX141 (System memory) CPU module on QX42□ (User PLC memory) Special additional module (For automatic programs) <p>Maintenance comments If a watch dog alarm occurs on the main CPU, this PCB may be defective. ROM-CUT is possible by this PCB on the actual machine.</p> | | | | | | |
| Specification item | Specification | Description of settings and LED | | | | | | | |
| ROM | Flush EEPROM QX813 512kB QX814 1MB QX815 2MB QX816 4MB | <table border="1"> <thead> <tr> <th>Setting LED</th> <th>Description</th> <th>Standard</th> </tr> </thead> <tbody> <tr> <td></td> <td>No settings or LEDs</td> <td></td> </tr> </tbody> </table> | Setting LED | Description | Standard | | No settings or LEDs | | |
| Setting LED | Description | Standard | | | | | | | |
| | No settings or LEDs | | | | | | | | |

| QX721/QX722 | | Appearance and connection connector | Supplementary explanation | | | | | | | | | | | | |
|---|---|--|--|-------------|----------|------|---|---------|------|------------------|--|-----|-------------|-----|--|
|  <p>The QX721 and QX722 cards are PCBs for the servo interface using the CPU inside.</p> | |  <p>(View from soldered face)</p> | <p>Usage format</p> <ol style="list-style-type: none"> CPU module (Normal position) CRTC module (Only OX721 can be mounted.) Expansion MCP module (For axis expansion) <p>Maintenance comments</p> <ol style="list-style-type: none"> This PCB is defective when LED1 is lit. If a watch dog alarm for this CPU card (QX141) occurs, this PCB may be defective. | | | | | | | | | | | | |
| Specification item | Specification | Description of settings and LED | | | | | | | | | | | | | |
| CPU High speed SRAM Z-PORT RAM Serial V/F Skip input | RISC type high speed CPU Code area, data stack area High speed 2-PORT RAM High speed serial V/F with servo amplifier QX721 1ch. QX722 2ch. Sensor input QX721 4 points QX722 8 points | <table border="1"> <thead> <tr> <th>Setting LED</th> <th>Description</th> <th>Standard</th> </tr> </thead> <tbody> <tr> <td>LED1</td> <td>Watch dog alarm for this PCB when red LED is lit.</td> <td>Not lit</td> </tr> <tr> <td>LED2</td> <td>Software monitor</td> <td></td> </tr> <tr> <td>TP1</td> <td>For testing</td> <td>Off</td> </tr> </tbody> </table> | Setting LED | Description | Standard | LED1 | Watch dog alarm for this PCB when red LED is lit. | Not lit | LED2 | Software monitor | | TP1 | For testing | Off | |
| Setting LED | Description | Standard | | | | | | | | | | | | | |
| LED1 | Watch dog alarm for this PCB when red LED is lit. | Not lit | | | | | | | | | | | | | |
| LED2 | Software monitor | | | | | | | | | | | | | | |
| TP1 | For testing | Off | | | | | | | | | | | | | |

| QX521 | | Appearance and connection connector | Supplementary explanation | | | | | | | | | | | | | | | |
|--|--|---|--|--|---|--|--|-----|-----------|--|-----|--------------|---|---------|--------------|---|---------|--|
| <p>The QX521 card is the graphic display PCB for black and white use. This card also has the operation board I/F, spindle encoder I/F, and RS-232 device I/F functions.</p> | | <p>Description of settings and LED</p> <table border="1"> <thead> <tr> <th>Setting LED</th> <th>Description</th> <th>Standard</th> </tr> </thead> <tbody> <tr> <td>LED1 (SD)</td> <td>Communication with operation board when green LED is lit</td> <td>Lit</td> </tr> <tr> <td>LED2 (RD)</td> <td>Communication with operation board when green LED is lit</td> <td>Lit</td> </tr> <tr> <td>LED3 (FBAL1)</td> <td>Spindle encoder CH1 no signal when red LED is lit</td> <td>Not lit</td> </tr> <tr> <td>LED4 (FBAL2)</td> <td>Spindle encoder CH2 no signal when red LED is lit</td> <td>Not lit</td> </tr> </tbody> </table> | Setting LED | Description | Standard | LED1 (SD) | Communication with operation board when green LED is lit | Lit | LED2 (RD) | Communication with operation board when green LED is lit | Lit | LED3 (FBAL1) | Spindle encoder CH1 no signal when red LED is lit | Not lit | LED4 (FBAL2) | Spindle encoder CH2 no signal when red LED is lit | Not lit | <p>Usage format Used only for CRTIC module</p> <p>Maintenance comment When the main CPU (QX141) operates, and trouble related to the operation board such as the key inputs from the operation board are not read or the display does not appear, this PCB may be defective.</p> |
| Setting LED | Description | Standard | | | | | | | | | | | | | | | | |
| LED1 (SD) | Communication with operation board when green LED is lit | Lit | | | | | | | | | | | | | | | | |
| LED2 (RD) | Communication with operation board when green LED is lit | Lit | | | | | | | | | | | | | | | | |
| LED3 (FBAL1) | Spindle encoder CH1 no signal when red LED is lit | Not lit | | | | | | | | | | | | | | | | |
| LED4 (FBAL2) | Spindle encoder CH2 no signal when red LED is lit | Not lit | | | | | | | | | | | | | | | | |
| <table border="1"> <thead> <tr> <th>Specification item</th> <th>Specification</th> </tr> </thead> <tbody> <tr> <td>Display I/F section CRTIC Video RAM Video I/F</td> <td>For 9 inch black and white CRT, 9.4 inch EL High speed graphic processor Frame memory (two-sides) Font ROM (JIS Class 1 standards) Shift register, expansion character I/F High speed serial I/F with operation board</td> </tr> <tr> <td>Serial I/F IOP section CPU SRAM Serial I/F Spindle encoder I/F</td> <td>CPU IOP code and stack area RS-232 2ch. Spindle encoder (differential) I/F 2ch.</td> </tr> </tbody> </table> | Specification item | Specification | Display I/F section CRTIC Video RAM Video I/F | For 9 inch black and white CRT, 9.4 inch EL High speed graphic processor Frame memory (two-sides) Font ROM (JIS Class 1 standards) Shift register, expansion character I/F High speed serial I/F with operation board | Serial I/F IOP section CPU SRAM Serial I/F Spindle encoder I/F | CPU IOP code and stack area RS-232 2ch. Spindle encoder (differential) I/F 2ch. | | | | | | | | | | | | |
| Specification item | Specification | | | | | | | | | | | | | | | | | |
| Display I/F section CRTIC Video RAM Video I/F | For 9 inch black and white CRT, 9.4 inch EL High speed graphic processor Frame memory (two-sides) Font ROM (JIS Class 1 standards) Shift register, expansion character I/F High speed serial I/F with operation board | | | | | | | | | | | | | | | | | |
| Serial I/F IOP section CPU SRAM Serial I/F Spindle encoder I/F | CPU IOP code and stack area RS-232 2ch. Spindle encoder (differential) I/F 2ch. | | | | | | | | | | | | | | | | | |

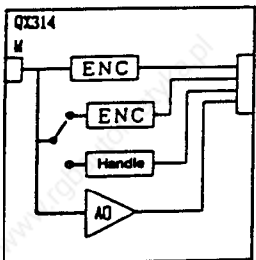
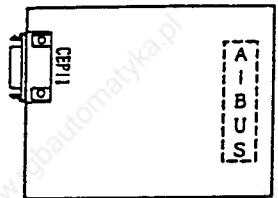
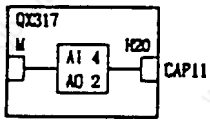
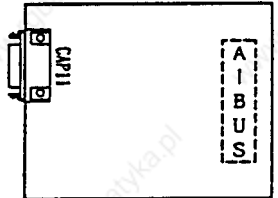
| QX524 | | Appearance and connection connector | Supplementary explanation | | | | | | | | | | | | | | | |
|--|---|---|--|---|---|---|--|-----|-----------|--|-----|--------------|---|---------|--------------|---|---------|--|
| <p>The QX524 card is the graphic display PCB for color use. This card also has the operation board I/F, spindle encoder I/F, and RS232 device I/F functions.</p> | | <p>Description of settings and LED</p> <table border="1"> <thead> <tr> <th>Setting LED</th> <th>Description</th> <th>Standard</th> </tr> </thead> <tbody> <tr> <td>LED1 (SD)</td> <td>Communication with operation board when green LED is lit</td> <td>Lit</td> </tr> <tr> <td>LED2 (RD)</td> <td>Communication with operation board when green LED is lit</td> <td>Lit</td> </tr> <tr> <td>LED3 (FBAL1)</td> <td>Spindle encoder CH1 no signal when red LED is lit</td> <td>Not lit</td> </tr> <tr> <td>LED4 (FBAL2)</td> <td>Spindle encoder CH2 no signal when red LED is lit</td> <td>Not lit</td> </tr> </tbody> </table> | Setting LED | Description | Standard | LED1 (SD) | Communication with operation board when green LED is lit | Lit | LED2 (RD) | Communication with operation board when green LED is lit | Lit | LED3 (FBAL1) | Spindle encoder CH1 no signal when red LED is lit | Not lit | LED4 (FBAL2) | Spindle encoder CH2 no signal when red LED is lit | Not lit | <p>Usage format Used only for CRTIC module</p> <p>Maintenance comment When the main CPU (QX141) operates, and trouble related to the operation board such as the key inputs from the operation board are not read or the display does not appear, this PCB may be defective.</p> |
| Setting LED | Description | Standard | | | | | | | | | | | | | | | | |
| LED1 (SD) | Communication with operation board when green LED is lit | Lit | | | | | | | | | | | | | | | | |
| LED2 (RD) | Communication with operation board when green LED is lit | Lit | | | | | | | | | | | | | | | | |
| LED3 (FBAL1) | Spindle encoder CH1 no signal when red LED is lit | Not lit | | | | | | | | | | | | | | | | |
| LED4 (FBAL2) | Spindle encoder CH2 no signal when red LED is lit | Not lit | | | | | | | | | | | | | | | | |
| <table border="1"> <thead> <tr> <th>Specification item</th> <th>Specification</th> </tr> </thead> <tbody> <tr> <td>Display I/F section CRTIC Video RAM Video I/F</td> <td>For 14 inch color CRT, 10.4 inch color LCD High speed graphic processor Frame memory (four-sides) Font ROM (JIS Class 1 standards) Shift register, color pallet High speed serial I/F with operation board</td> </tr> <tr> <td>Serial I/F IOP section CPU SRAM Serial I/F Spindle encoder I/F</td> <td>CPU IOP code and stack area RS-232 2ch. Spindle encoder (differential) I/F 2ch</td> </tr> </tbody> </table> | Specification item | Specification | Display I/F section CRTIC Video RAM Video I/F | For 14 inch color CRT, 10.4 inch color LCD High speed graphic processor Frame memory (four-sides) Font ROM (JIS Class 1 standards) Shift register, color pallet High speed serial I/F with operation board | Serial I/F IOP section CPU SRAM Serial I/F Spindle encoder I/F | CPU IOP code and stack area RS-232 2ch. Spindle encoder (differential) I/F 2ch | | | | | | | | | | | | |
| Specification item | Specification | | | | | | | | | | | | | | | | | |
| Display I/F section CRTIC Video RAM Video I/F | For 14 inch color CRT, 10.4 inch color LCD High speed graphic processor Frame memory (four-sides) Font ROM (JIS Class 1 standards) Shift register, color pallet High speed serial I/F with operation board | | | | | | | | | | | | | | | | | |
| Serial I/F IOP section CPU SRAM Serial I/F Spindle encoder I/F | CPU IOP code and stack area RS-232 2ch. Spindle encoder (differential) I/F 2ch | | | | | | | | | | | | | | | | | |

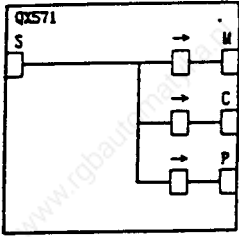
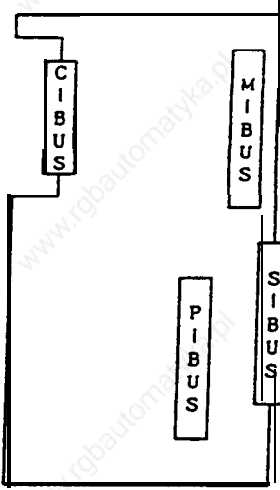
| QX531/QX533 | | Appearance and connection connector | Supplementary explanation |
|--|--|--|---|
|  <p>The QX531 and QX533 cards are I/O interface DIO-A PCBs that use Honda connectors. The wcontact input for these two PCBs can be either the 24V wcommon or GND wcommon. The VDE regulation for the QX531 card is contact output. The contact output for the QX533 is an open collector.</p> | |  | <p>Usage format Used only for DIO module</p> <p>Maintenance comment When the contact output is short circuited, the output IC in the PCB may be damaged. Always confirm the connection with a tester, etc., before turning on the NC power.</p> |
| Specification item | Specification | Description of settings and LED | |
| Contact input | 64-point (Either 24V wcommon or GND wcommon is possible with external connection.) | Setting LED | Description |
| Contact output | 48-point QX531 WE (open emitter) QX533 Open collector | CS1 | This is used for separation when several DIO modules are mounted in the control unit. |
| | | | 1st 0 2nd 2 3rd 4 etc. |

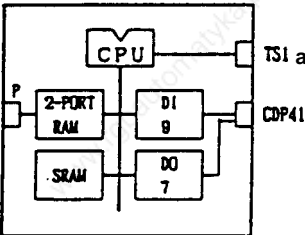
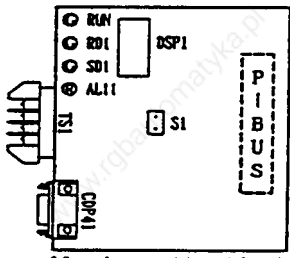
| QX535/QX537 | | Appearance and connection connector | Supplementary explanation |
|--|--|--|--|
|  <p>The QX535 and QX537 cards are I/O interface DIO-A PCBs that use flat cable connectors. The wcontact input for the QX535 card, and GND wcommon for QX537. However, 32 points can be changed over. The WE regulation for the QX535 card is contact output. The contact output for the QX537 is an open collector.</p> | |  | <p>Usage format Used only for DIO module</p> <p>Maintenance comment When the wcontact output is short circuited, the output IC in the PCS may be damaged. Always confirm the connection with a tester, etc., before turning on the NC power.</p> |
| Specification item | Specification | Description of settings and LED | |
| Contact input | 80-point QX535: 24V wcommon QX537: GND wcommon (32 points can be changed to 24V wcommon or GND common with external connection.) | Setting LED | Description |
| Contact output | 80-point QX535 WE (open emitter) QX537 Open collector | CS1 | This is used for separation when several DIO modules are mounted in the control unit. |
| | | | 1st 0 2nd 2 3rd 4 etc. |

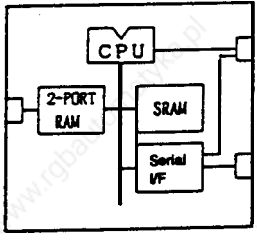
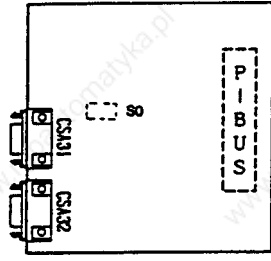
| QX539 | | Appearance and connection connector | Supplementary explanation | | | | | | | | | | |
|---|---|--|---------------------------|-----------------------|----------------|----------------|---|---------------------------------|---|---------|--|--|--|
|  <p>The QX539 card is an i/o interface DIO-A PCB that use a Honda connector. The front surface is completely filled with connectors so an add-on-card cannot be added. Ich of the analog input is input from the front connector, but when 2ch or more are used, a separate connection adaptor is required. In this case, a mounting space of two slots is required.</p> | |  <p style="text-align: center;">Description of settings and LED</p> <table border="1"> <thead> <tr> <th>Setting LED</th> <th>Description</th> <th>Standard</th> </tr> </thead> <tbody> <tr> <td>CS1</td> <td>This is used for separation when several DIO modules are mounted in the control unit.</td> <td>1st 0 2nd 2 3rd 4 etc.</td> </tr> </tbody> </table> | Setting LED | Description | Standard | CS1 | This is used for separation when several DIO modules are mounted in the control unit. | 1st 0 2nd 2 3rd 4 etc. | <p>Usage format Used only for DIO module</p> <p>Maintenance comment When the contact output is short circuited, the output IC in the PCB may be damaged. Always confirm the connection with a tester, etc., before turning on the NC power.</p> | | | | |
| Setting LED | Description | Standard | | | | | | | | | | | |
| CS1 | This is used for separation when several DIO modules are mounted in the control unit. | 1st 0 2nd 2 3rd 4 etc. | | | | | | | | | | | |
| <table border="1"> <thead> <tr> <th>Specification item</th> <th>Specification</th> </tr> </thead> <tbody> <tr> <td>Contact input</td> <td>64-point (24V common)</td> </tr> <tr> <td>Contact output</td> <td>64-point (VDE)</td> </tr> <tr> <td>Analog input</td> <td>B-point</td> </tr> <tr> <td>Analog output</td> <td>I-point</td> </tr> </tbody> </table> | Specification item | Specification | Contact input | 64-point (24V common) | Contact output | 64-point (VDE) | Analog input | B-point | Analog output | I-point | | | |
| Specification item | Specification | | | | | | | | | | | | |
| Contact input | 64-point (24V common) | | | | | | | | | | | | |
| Contact output | 64-point (VDE) | | | | | | | | | | | | |
| Analog input | B-point | | | | | | | | | | | | |
| Analog output | I-point | | | | | | | | | | | | |

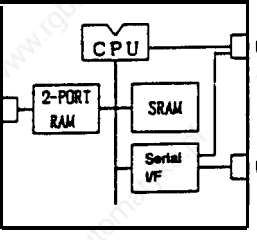
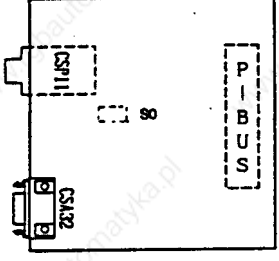
| QX311/QX312 | | Appearance and connection connector | Supplementary explanation | | | | | | |
|--|--|---|---------------------------|--|----------|--|---------------------|--|---|
|  <p>The OX31 1/ QX312 cards are i/o interface DIO-A add-on PCBs that use Honda connectors. The VDE regulation for OX31 1 is contact output. The contact output for OX312 is open collector.</p> | |  <p style="text-align: center;">Description of settings and LED</p> <table border="1"> <thead> <tr> <th>Setting LED</th> <th>Description</th> <th>Standard</th> </tr> </thead> <tbody> <tr> <td></td> <td>No settings or LEDs</td> <td></td> </tr> </tbody> </table> | Setting LED | Description | Standard | | No settings or LEDs | | <p>Usage format Used only for DIO module</p> <p>Maintenance comment When the contact output is short circuited, the output IC in the PCB may be damaged. Always confirm the connection with a tester, etc., before turning on the NC power.</p> |
| Setting LED | Description | Standard | | | | | | | |
| | No settings or LEDs | | | | | | | | |
| <table border="1"> <thead> <tr> <th>Specification item</th> <th>Specification</th> </tr> </thead> <tbody> <tr> <td>Contact output</td> <td>16-point OX311 ME OX312 Open collector</td> </tr> </tbody> </table> | Specification item | Specification | Contact output | 16-point OX311 ME OX312 Open collector | | | | | |
| Specification item | Specification | | | | | | | | |
| Contact output | 16-point OX311 ME OX312 Open collector | | | | | | | | |

| QX314 | | Appearance and connection connector | Supplementary explanation | | | | | | | | | | | | | | |
|---|--|--|---|--|---------------|---------|--|---------------------------------|--|--|-------------|-------------|----------|--|---------------------|--|----------------------------|
|  <p>The QX314 card is an add-on PCB for spindle encoder interface and analog output that uses a D-SUB connector.</p> | |  | Usage format Used only for DIO module | | | | | | | | | | | | | | |
| <table border="1"> <thead> <tr> <th>Specification item</th> <th>Specification</th> </tr> </thead> <tbody> <tr> <td>Spindle encoder interface</td> <td>2-point (Ioh can be changed with the manual handle)</td> </tr> <tr> <td>Analog output</td> <td>2-point</td> </tr> </tbody> </table> | Specification item | Specification | Spindle encoder interface | 2-point (Ioh can be changed with the manual handle) | Analog output | 2-point | <table border="1"> <thead> <tr> <th colspan="3">Description of settings and LED</th> </tr> <tr> <th>Setting LED</th> <th>Description</th> <th>Standard</th> </tr> </thead> <tbody> <tr> <td></td> <td>No settings or LEDs</td> <td></td> </tr> </tbody> </table> | Description of settings and LED | | | Setting LED | Description | Standard | | No settings or LEDs | | Maintenance comment |
| Specification item | Specification | | | | | | | | | | | | | | | | |
| Spindle encoder interface | 2-point (Ioh can be changed with the manual handle) | | | | | | | | | | | | | | | | |
| Analog output | 2-point | | | | | | | | | | | | | | | | |
| Description of settings and LED | | | | | | | | | | | | | | | | | |
| Setting LED | Description | Standard | | | | | | | | | | | | | | | |
| | No settings or LEDs | | | | | | | | | | | | | | | | |
| ax317 | | Appearance and connection connector | Supplementary explanation | | | | | | | | | | | | | | |
|  <p>The QX317 card is an add-on PCB for analog input and analog output that uses a DSUB connector.</p> | |  | Usage format Used only for DIO module | | | | | | | | | | | | | | |
| <table border="1"> <thead> <tr> <th>Specification item</th> <th>Specification</th> </tr> </thead> <tbody> <tr> <td>Analog input</td> <td>4-point</td> </tr> <tr> <td>Analog output</td> <td>2-point</td> </tr> </tbody> </table> | Specification item | Specification | Analog input | 4-point | Analog output | 2-point | <table border="1"> <thead> <tr> <th colspan="3">Description of settings and LED</th> </tr> <tr> <th>Setting LED</th> <th>Description</th> <th>Standard</th> </tr> </thead> <tbody> <tr> <td></td> <td>No settings or LEDs</td> <td></td> </tr> </tbody> </table> | Description of settings and LED | | | Setting LED | Description | Standard | | No settings or LEDs | | Maintenance comment |
| Specification item | Specification | | | | | | | | | | | | | | | | |
| Analog input | 4-point | | | | | | | | | | | | | | | | |
| Analog output | 2-point | | | | | | | | | | | | | | | | |
| Description of settings and LED | | | | | | | | | | | | | | | | | |
| Setting LED | Description | Standard | | | | | | | | | | | | | | | |
| | No settings or LEDs | | | | | | | | | | | | | | | | |

| QX571 | | Appearance and connection connector | Supplementary explanation | | | | | | | |
|---|--|---|---------------------------|-------------|-----------------|------|--|---------------------------|--|--|
|  <p>This PCB functions only after the M-BUS PCB, P-BUS PCB and CBUS PCBs are mounted. (This PCB has no functions on its own.)</p> | |  <p>Description of settings and LED</p> <table border="1"> <thead> <tr> <th>Setting LED</th> <th>Description</th> <th>Standard</th> </tr> </thead> <tbody> <tr> <td>XIF2</td> <td>Set to the 2nd PCB when using two of these PCBs.</td> <td>1st PCB OFF 2nd PCB ON</td> </tr> </tbody> </table> | Setting LED | Description | Standard | XIF2 | Set to the 2nd PCB when using two of these PCBs. | 1st PCB OFF 2nd PCB ON | <p>Usage format</p> <ol style="list-style-type: none"> Module with special memory Module for axis expansion <p>Maintenance comment</p> | |
| Setting LED | Description | | Standard | | | | | | | |
| XIF2 | Set to the 2nd PCB when using two of these PCBs. | 1st PCB OFF 2nd PCB ON | | | | | | | | |
| <table border="1"> <thead> <tr> <th>Specification item</th> <th>Specification</th> </tr> </thead> <tbody> <tr> <td>M-BUS expansion</td> <td></td> </tr> <tr> <td>P-BUS expansion</td> <td></td> </tr> <tr> <td>C-BUS expansion</td> <td></td> </tr> </tbody> </table> | Specification item | Specification | M-BUS expansion | | P-BUS expansion | | C-BUS expansion | | | |
| Specification item | Specification | | | | | | | | | |
| M-BUS expansion | | | | | | | | | | |
| P-BUS expansion | | | | | | | | | | |
| C-BUS expansion | | | | | | | | | | |

| QX738 | | Appearance and connection connector | Supplementary explanation | | | | | | | | | | | | | | | | | | | | | |
|---|---|--|---------------------------|-------------|----------|----------------------------|-------------|---|------------|---|---------------------------------|--|--|---------|-----|--|-----|-----|--|-----|-----|---|--|---|
|  <p>This PCB is used for the M-NET interface that is an interface with the sequencer.</p> | |  <p>(View from soldered face)</p> <p>Note 1) The terminating resistor is added to the transmission end and reception end of both stations that are connected to the RS-422 interface so that distortion is not generated in the transmission signal waveform. If QX738 is the last station, turn ON, and if not the last station, turn OFF.</p> <p>Description of settings and LED</p> <table border="1"> <thead> <tr> <th>Setting LED</th> <th>Description</th> <th>Standard</th> </tr> </thead> <tbody> <tr> <td>S1</td> <td>For testing</td> <td>OFF</td> </tr> <tr> <td>DSP1</td> <td>DSP1-1 ~ DSP1-4 station No. setting DSP1-5 ON 57.6Kbps series OFF 38.4Kbps series DSP1-8 Terminating resistor ON</td> <td>Station No. Refer to Note 1)</td> </tr> <tr> <td>RUN</td> <td>Software is operating normally when green LED is flickering.</td> <td>Flicker</td> </tr> <tr> <td>RD1</td> <td>Serial transmission (reception) is normal when green LED is lit.</td> <td>Lit</td> </tr> <tr> <td>SD1</td> <td>Serial transmission (reception) is normal when green LED is lit.</td> <td>Lit</td> </tr> <tr> <td>ALM</td> <td>Error has occurred when red LED is lit.</td> <td></td> </tr> </tbody> </table> | Setting LED | Description | Standard | S1 | For testing | OFF | DSP1 | DSP1-1 ~ DSP1-4 station No. setting DSP1-5 ON 57.6Kbps series OFF 38.4Kbps series DSP1-8 Terminating resistor ON | Station No. Refer to Note 1) | RUN | Software is operating normally when green LED is flickering. | Flicker | RD1 | Serial transmission (reception) is normal when green LED is lit. | Lit | SD1 | Serial transmission (reception) is normal when green LED is lit. | Lit | ALM | Error has occurred when red LED is lit. | | <p>Usage format</p> <p>CRTC module</p> <p>Maintenance comment</p> <p>When the contact output is short circuited the output IC in the PCB may be damaged. Always confirm the connection with a tester, etc., before turning on the NC power.</p> |
| Setting LED | Description | | Standard | | | | | | | | | | | | | | | | | | | | | |
| S1 | For testing | OFF | | | | | | | | | | | | | | | | | | | | | | |
| DSP1 | DSP1-1 ~ DSP1-4 station No. setting DSP1-5 ON 57.6Kbps series OFF 38.4Kbps series DSP1-8 Terminating resistor ON | Station No. Refer to Note 1) | | | | | | | | | | | | | | | | | | | | | | |
| RUN | Software is operating normally when green LED is flickering. | Flicker | | | | | | | | | | | | | | | | | | | | | | |
| RD1 | Serial transmission (reception) is normal when green LED is lit. | Lit | | | | | | | | | | | | | | | | | | | | | | |
| SD1 | Serial transmission (reception) is normal when green LED is lit. | Lit | | | | | | | | | | | | | | | | | | | | | | |
| ALM | Error has occurred when red LED is lit. | | | | | | | | | | | | | | | | | | | | | | | |
| <table border="1"> <thead> <tr> <th>Specification item</th> <th>Specification</th> </tr> </thead> <tbody> <tr> <td>CPU</td> <td>S-bit CPU</td> </tr> <tr> <td>RAM</td> <td>Code area, data stack area</td> </tr> <tr> <td>2-PORT RAM</td> <td>For communication with main CPU (QX141)</td> </tr> <tr> <td>Serial I/F</td> <td>M-NET (RS-422 multi-drop)</td> </tr> <tr> <td>Machine I/O I/F</td> <td>Machine contact input g-point (including emergency stop) Machine contact output 7-point (VDE)</td> </tr> </tbody> </table> | Specification item | Specification | CPU | S-bit CPU | RAM | Code area, data stack area | 2-PORT RAM | For communication with main CPU (QX141) | Serial I/F | M-NET (RS-422 multi-drop) | Machine I/O I/F | Machine contact input g-point (including emergency stop) Machine contact output 7-point (VDE) | | | | | | | | | | | | |
| Specification item | Specification | | | | | | | | | | | | | | | | | | | | | | | |
| CPU | S-bit CPU | | | | | | | | | | | | | | | | | | | | | | | |
| RAM | Code area, data stack area | | | | | | | | | | | | | | | | | | | | | | | |
| 2-PORT RAM | For communication with main CPU (QX141) | | | | | | | | | | | | | | | | | | | | | | | |
| Serial I/F | M-NET (RS-422 multi-drop) | | | | | | | | | | | | | | | | | | | | | | | |
| Machine I/O I/F | Machine contact input g-point (including emergency stop) Machine contact output 7-point (VDE) | | | | | | | | | | | | | | | | | | | | | | | |

| OX731 | | Appearance and connection connector | Supplementary explanation | | | | | | |
|---|--|---|---|-------------|----------|----|-------------|-----|----------------------------|
| <p>This PCB is for computer linking.</p>  <p>CSA32 (1ch is for debugging)</p> <p>CSA31</p> | |  | <p>Usage format 1. CRTC module</p> | | | | | | |
| Specification item | Specification | Description of settings and LED | | | | | | | |
| CPU Serial I/F SRAM 2-PORT RAM | High speed 16-bit CPU 2ch (max. 38, 4KBPS) Code area, data stack area For communication with main CPU | <table border="1"> <thead> <tr> <th>Setting LED</th> <th>Description</th> <th>Standard</th> </tr> </thead> <tbody> <tr> <td>SO</td> <td>For testing</td> <td>OFF</td> </tr> </tbody> </table> | Setting LED | Description | Standard | SO | For testing | OFF | Maintenance comment |
| Setting LED | Description | Standard | | | | | | | |
| SO | For testing | OFF | | | | | | | |

| OX771 | | Appearance and connection connector | Supplementary explanation | | | | | | |
|--|---|---|--|-------------|----------|----|-------------|-----|---|
| <p>This PCB is used for interfacing with the data server.</p>  <p>CSA32 (1ch is for debugging)</p> <p>CSP11</p> | |  | <p>Usage format 1. Module with special memory</p> | | | | | | |
| Specification item | Specification | Description of settings and LED | | | | | | | |
| CPU Data server I/F Serial I/F SRAM 2-PORT RAM | High speed 16-bit CPU 1ch (max. 38.4KBPS) Optical link 1ch (max. 38.4KBPS) Code area, data stack area For communication with main CPU | <table border="1"> <thead> <tr> <th>Setting LED</th> <th>Description</th> <th>Standard</th> </tr> </thead> <tbody> <tr> <td>SO</td> <td>For testing</td> <td>OFF</td> </tr> </tbody> </table> | Setting LED | Description | Standard | SO | For testing | OFF | Maintenance comment The optical link module has a life. |
| Setting LED | Description | Standard | | | | | | | |
| SO | For testing | OFF | | | | | | | |

5.4 Functions and Handling of the Operation Board

Outline of functions

The operation board is used to input data to the control unit and to display the execution state, etc.

5.4.1 CRT

The MELDAS 500 Series uses a 14 inch color CRT or 9 inch black and white CRT according to the model. These CRTs are open frame type CRTs with built-in AFC for data industries that required a high reliability and high resolution play back. These are compact and light weight, and most of the circuits are integrated on one PCB. The reliability is high, and maintainability is easy so stable operation can be expected over a long period.

14 inch color CRT : AIQA8DSP40/CD1472D1 M2 BKO-NC6542

9 inch black and white CRT: MDT-952-01/MDT-962B-1A BKO-NC6216

Adjustment

There are various positions on the CRT to be adjusted, but these have been adjusted before shipment, so readjustment is not required.

Precautions for use

(1) Affect of magnetic fields

The CRT displays data by scanning an electronic beam with a magnetic field. Therefore, external magnetic fields will affect the display and will cause 'screen distortion', 'screen swaying' and 'color distortion'. Take special care to external magnetic fields.

For example, if the case in which the CRT is stored is made of steel plates, etc., the case will be magnetized if a magnetic stand, etc., is installed. Note that this will cause 'screen distortion.. The CRT is also affected by magnetic fields from motors, transformers and magnetized workpieces.

(2) Cathode-ray tube life

The life of the cathode-ray tube is said to be approximately 7,000 hours.

However, this is the time for the emission efficiency to drop to 70% of the initial value (this will differ according to the tube maker), and does not mean that the tube cannot be used. The phenomenon will be a darkening of the screen, and the CRT can be used continuously.

5.4.2 EL display

The MELDAS 500 Series uses a 640 x 480 dot EL display (Electro Luminance Display). The EL display has an outstanding display class, and is a lightweight, thin and low power consuming display.

EL display: LJ640U48

Precautions for use

(1) EL display life

The EL display life is approximately 10,000 hours/O to 55°C for the brightness to drop 20%. This will depend greatly on the temperature, so keep the ambient temperature as low as possible.

(2) Installation

When installing the EL display in a panel, the heat that is generated by a heat source or shielded product around the display (especially on top and bottom) will build up, and will affect the life. Layout the display so that a convection can be established.

5.4.3 Color LCD

The MELDAS 500 Series uses a transparent type color LCD which is composed of the color TFT-LCD panel (640 × 480), driver IC, control circuit, power supply circuit and back light unit.

10.5' color LCD LQ10D021

Precautions for use

(1) Back light life

The life of the back light is the time that it takes for the brightness to drop to 50% of the initial brightness, which is 10000 hours at 25°C. The life greatly depends on the temperature, so use at room temperature 25°C is the most suitable.

(2) Adjustment

The color LCD's dials and DIP switches have been set to the optimum value before shipment, and thus further adjustment is not required.

(3) Installation

To protect the liquid crystals from ultraviolet rays, avoid leaving the unit in direct sunlight or in strong ultraviolet rays for long periods.

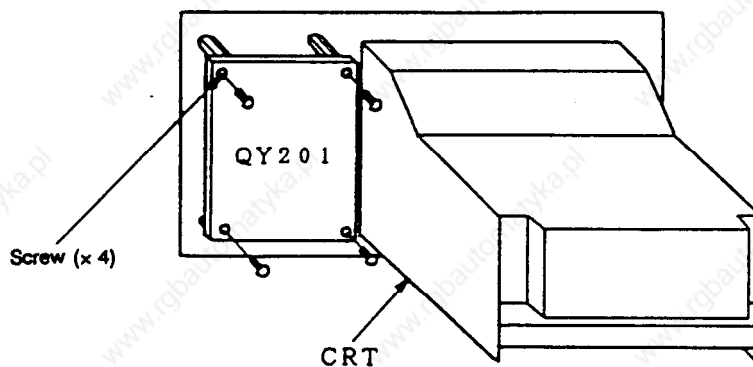
5.4.4 Floppy disk unit

Refer to section 2.4 Maintenance and Handling of the Floppy Disk Unit.

5.4.5 Replacement of each module in operation board

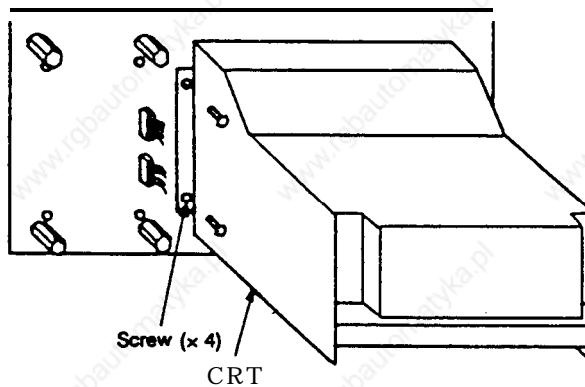
(A) Replacement of 9 inch CRT standard board PCB

(1) Control PCB



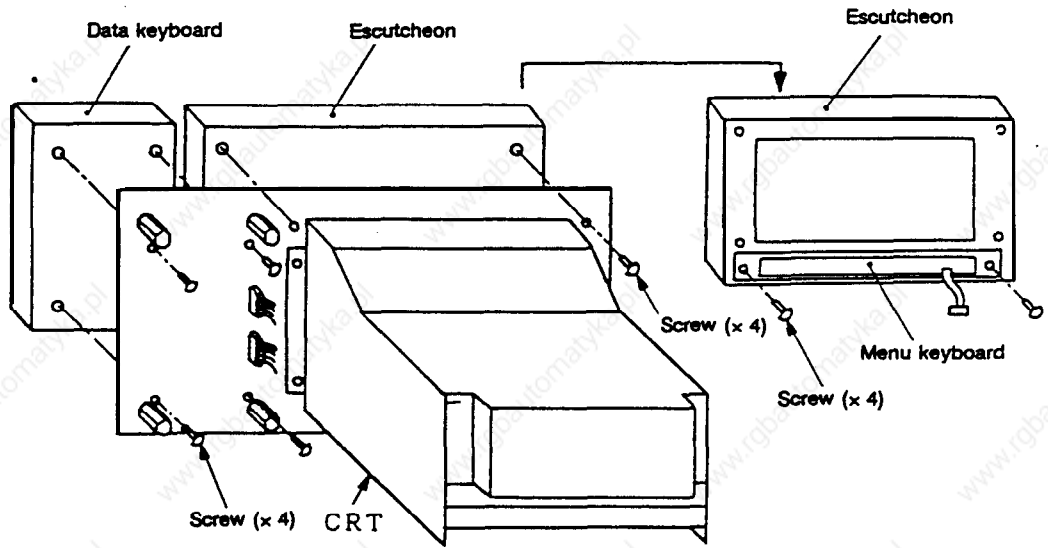
- 1) Disconnect the cables connected to the PCB.
- 2) Remove the screws.

(2) CRT



- 1) Follow procedure (1) 1).
- 2) Remove the screws fixing the CRT.

(3) Keyboard (data keyboard/menu keyboard)



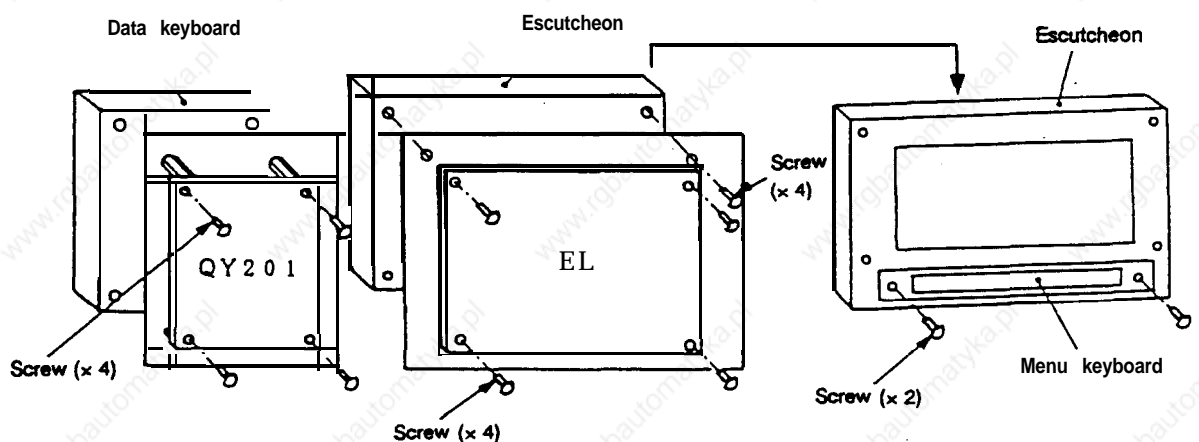
① Data keyboard

- 1) Follow procedure (1) 1). (Remove board control PCB.)
- 2) Remove the screws fixing the keyboard.

② Menu keyboard (fixed on escutcheon)

- 1) After disconnecting the cable, remove the four screws fixing the escutcheon. (The CRT does not need to be removed.)
- 2) Remove the two screws fixing the menu keyboard.

(B) Replacement of EL standard separated board PCB



Follow procedures (1), (2) and (3) to remove the control PCB, EL and keyboard.

(C) Replacement of 14 inch CRT standard board PCB



(1) Control PCB

- 1) Disconnect the cable connected to the PCB.
- 2) Remove the four screws.

(2) Data keyboard

- 1) Disconnect the two cables connected to the keyboard PCB.
- 2) Remove the four screws. (The control PCB does not need to be removed.)

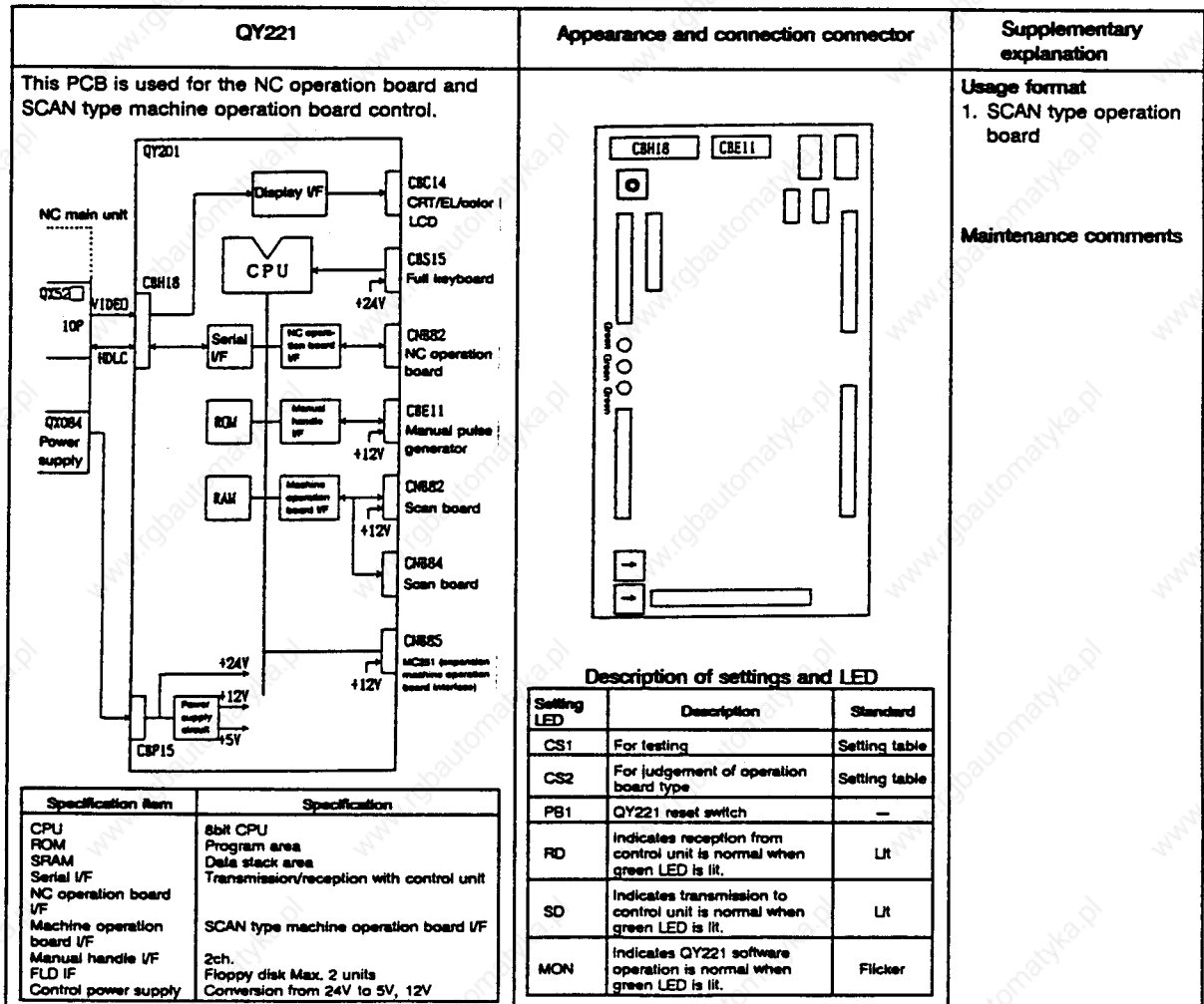
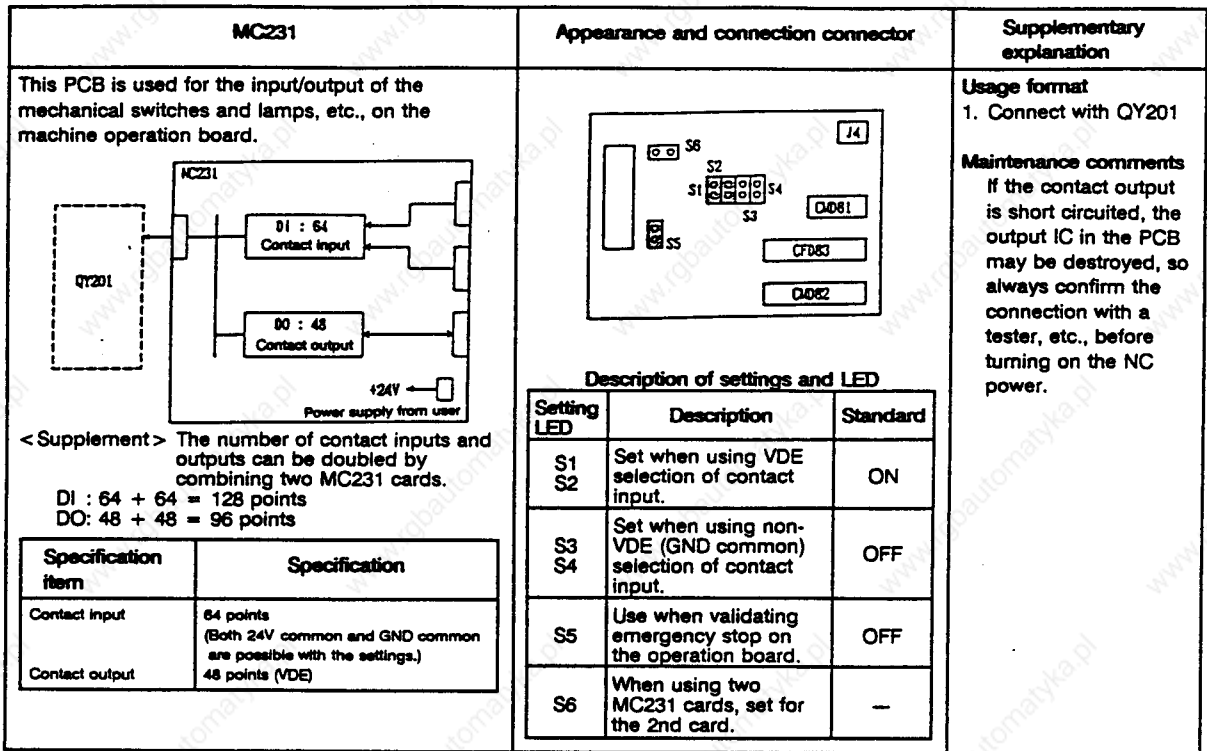
(3) Menu keyboard (fixed to escutcheon)

- 1) Disconnect the cable.
- 2) Remove the Power ON/OFF button contact block (wiring side).
- 3) Remove the four screws and remove the escutcheon.
- 4) Remove the six screws fixing the menu keyboard.

5.4.6 PCB functions and handling

| QY201 | | Appearance and connection connector | Supplementary explanation | | | | | | | | | | | | | | | | | | | | | | | | | | | | | | | | | | | | | | | | | | | |
|---|---|-------------------------------------|--|--------------------|---------------|-----|----------|-----|--------------|------|-----------------|------------|--|------------------------|--|-----------------------------|--|-------------------|------|---------|--------------------------|-----------|---|----------------------|--------------------------------|---|--|-------------|-------------|----------|-----|-------------|---------------|-----|---------------------------------------|---------------|-----|--------------------|---|----|--|-----|----|---|-----|-----|
| <p>This PCB is the PCB for the NC operation board and machine operation board control.</p> | | | <p>Usage format</p> <ol style="list-style-type: none"> Standard operation board <p>Maintenance comments</p> | | | | | | | | | | | | | | | | | | | | | | | | | | | | | | | | | | | | | | | | | | | |
| <table border="1"> <thead> <tr> <th>Specification item</th> <th>Specification</th> </tr> </thead> <tbody> <tr> <td>CPU</td> <td>8bit CPU</td> </tr> <tr> <td>ROM</td> <td>Program area</td> </tr> <tr> <td>SRAM</td> <td>Data stack area</td> </tr> <tr> <td>Serial I/F</td> <td>Transmission/reception with control unit</td> </tr> <tr> <td>NC operation board I/F</td> <td></td> </tr> <tr> <td>Machine operation board I/F</td> <td></td> </tr> <tr> <td>Manual handle I/F</td> <td>1ch.</td> </tr> <tr> <td>FLD I/F</td> <td>Floppy disk Max. 2 units</td> </tr> <tr> <td>QY271 I/F</td> <td>QY271 (audio output) installation connector</td> </tr> <tr> <td>Control power supply</td> <td>Conversion from 24V to 5V, 12V</td> </tr> </tbody> </table> | | | | Specification item | Specification | CPU | 8bit CPU | ROM | Program area | SRAM | Data stack area | Serial I/F | Transmission/reception with control unit | NC operation board I/F | | Machine operation board I/F | | Manual handle I/F | 1ch. | FLD I/F | Floppy disk Max. 2 units | QY271 I/F | QY271 (audio output) installation connector | Control power supply | Conversion from 24V to 5V, 12V | <p>Description of settings and LED</p> <table border="1"> <thead> <tr> <th>Setting LED</th> <th>Description</th> <th>Standard</th> </tr> </thead> <tbody> <tr> <td>CS1</td> <td>For testing</td> <td>Setting table</td> </tr> <tr> <td>CS2</td> <td>For judgement of operation board type</td> <td>Setting table</td> </tr> <tr> <td>PB1</td> <td>QY201 reset switch</td> <td>—</td> </tr> <tr> <td>RD</td> <td>Indicates reception from control unit is normal when green LED is lit.</td> <td>Lit</td> </tr> <tr> <td>SD</td> <td>Indicates transmission to control unit is normal when green LED is lit.</td> <td>Lit</td> </tr> <tr> <td>MON</td> <td>Indicates QY201 software operation is normal when green LED is lit.</td> <td>Flicker</td> </tr> </tbody> </table> | | Setting LED | Description | Standard | CS1 | For testing | Setting table | CS2 | For judgement of operation board type | Setting table | PB1 | QY201 reset switch | — | RD | Indicates reception from control unit is normal when green LED is lit. | Lit | SD | Indicates transmission to control unit is normal when green LED is lit. | Lit | MON |
| Specification item | Specification | | | | | | | | | | | | | | | | | | | | | | | | | | | | | | | | | | | | | | | | | | | | | |
| CPU | 8bit CPU | | | | | | | | | | | | | | | | | | | | | | | | | | | | | | | | | | | | | | | | | | | | | |
| ROM | Program area | | | | | | | | | | | | | | | | | | | | | | | | | | | | | | | | | | | | | | | | | | | | | |
| SRAM | Data stack area | | | | | | | | | | | | | | | | | | | | | | | | | | | | | | | | | | | | | | | | | | | | | |
| Serial I/F | Transmission/reception with control unit | | | | | | | | | | | | | | | | | | | | | | | | | | | | | | | | | | | | | | | | | | | | | |
| NC operation board I/F | | | | | | | | | | | | | | | | | | | | | | | | | | | | | | | | | | | | | | | | | | | | | | |
| Machine operation board I/F | | | | | | | | | | | | | | | | | | | | | | | | | | | | | | | | | | | | | | | | | | | | | | |
| Manual handle I/F | 1ch. | | | | | | | | | | | | | | | | | | | | | | | | | | | | | | | | | | | | | | | | | | | | | |
| FLD I/F | Floppy disk Max. 2 units | | | | | | | | | | | | | | | | | | | | | | | | | | | | | | | | | | | | | | | | | | | | | |
| QY271 I/F | QY271 (audio output) installation connector | | | | | | | | | | | | | | | | | | | | | | | | | | | | | | | | | | | | | | | | | | | | | |
| Control power supply | Conversion from 24V to 5V, 12V | | | | | | | | | | | | | | | | | | | | | | | | | | | | | | | | | | | | | | | | | | | | | |
| Setting LED | Description | Standard | | | | | | | | | | | | | | | | | | | | | | | | | | | | | | | | | | | | | | | | | | | | |
| CS1 | For testing | Setting table | | | | | | | | | | | | | | | | | | | | | | | | | | | | | | | | | | | | | | | | | | | | |
| CS2 | For judgement of operation board type | Setting table | | | | | | | | | | | | | | | | | | | | | | | | | | | | | | | | | | | | | | | | | | | | |
| PB1 | QY201 reset switch | — | | | | | | | | | | | | | | | | | | | | | | | | | | | | | | | | | | | | | | | | | | | | |
| RD | Indicates reception from control unit is normal when green LED is lit. | Lit | | | | | | | | | | | | | | | | | | | | | | | | | | | | | | | | | | | | | | | | | | | | |
| SD | Indicates transmission to control unit is normal when green LED is lit. | Lit | | | | | | | | | | | | | | | | | | | | | | | | | | | | | | | | | | | | | | | | | | | | |
| MON | Indicates QY201 software operation is normal when green LED is lit. | Flicker | | | | | | | | | | | | | | | | | | | | | | | | | | | | | | | | | | | | | | | | | | | | |

| QY271 | | Appearance and connection connector | Supplementary explanation | | | | | | | | | | | | |
|--|----------------------------|-------------------------------------|---|--------------------|---------------|-------------------------|-------------------------|-----|----------------|--|--|-------------|-------------|----------|-----|
| <p>This PCB is used for audio output. Audio output is possible by connecting a speaker to the connector.</p> | | | <p>Usage format</p> <ol style="list-style-type: none"> On QY201 <p>Maintenance comment</p> | | | | | | | | | | | | |
| <table border="1"> <thead> <tr> <th>Specification item</th> <th>Specification</th> </tr> </thead> <tbody> <tr> <td>Voice synthesis circuit</td> <td>Voice synthesis circuit</td> </tr> <tr> <td>ROM</td> <td>Audio data ROM</td> </tr> </tbody> </table> | | | | Specification item | Specification | Voice synthesis circuit | Voice synthesis circuit | ROM | Audio data ROM | <p>Description of settings and LED</p> <table border="1"> <thead> <tr> <th>Setting LED</th> <th>Description</th> <th>Standard</th> </tr> </thead> <tbody> <tr> <td>VR1</td> <td>Dial for volume adjustment</td> <td>—</td> </tr> </tbody> </table> | | Setting LED | Description | Standard | VR1 |
| Specification item | Specification | | | | | | | | | | | | | | |
| Voice synthesis circuit | Voice synthesis circuit | | | | | | | | | | | | | | |
| ROM | Audio data ROM | | | | | | | | | | | | | | |
| Setting LED | Description | Standard | | | | | | | | | | | | | |
| VR1 | Dial for volume adjustment | — | | | | | | | | | | | | | |



5.5 Functions and Handling of Manual Handle (HD60)

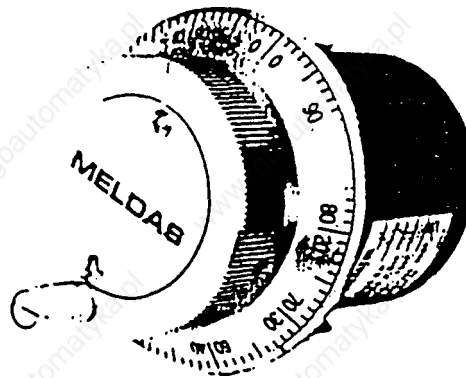


Fig. 5.5 Appearance of manual handle (HD60)

5.5.1 Functions

(1) Outline

The manual handle is rotated by hand, and when rotated, two types of pulse signals are generated in proportion to the rotated angle.

(2) Electrical characteristics

① Input/output terminals

| Terminal block No. | Signals |
|--------------------|-----------------------|
| +12V | +12V |
| 0V | 0V |
| A | A phase signal output |
| B | B phase signal output |

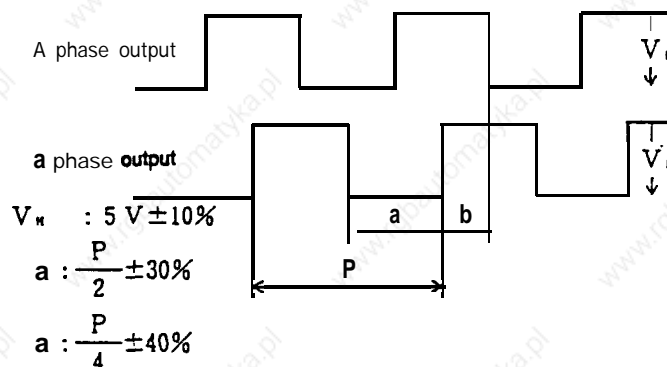
② Power

A 12V voltage is required.

③ Signal output

The A phase output and B phase output signals are output, and the following outputs are made according to the handle's rotated angle.

Output waveform and phase relation (When handle is rotated in positive (+) direction)



④ Maximum output frequency 100Hz or more

5.5.2 Replacement and handling

If DC12V is impressed, the signals will be automatically output from the A phase and B phase. If the signals are no longer output, the handle must be replaced. (The LEDs on the back will attenuately flicker when the handle is rotated.)

Take special care not to mistaken the wiring when replacing the handle. The handle will be damaged if the wiring is mistaken.