

STK5U4UF90D-E

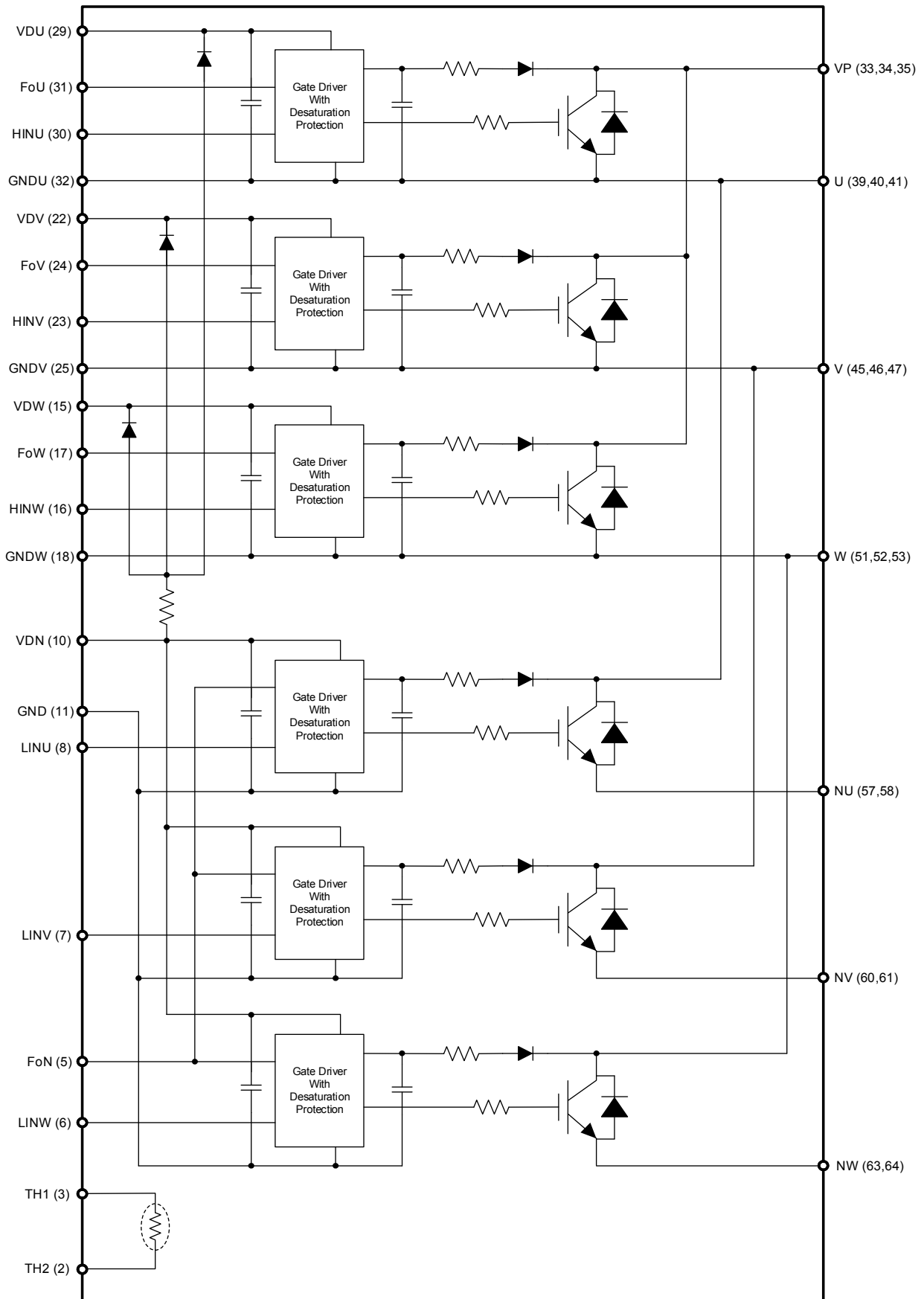


Figure 3. Equivalent Block Diagram

STK5U4UF90D-E

PIN FUNCTION DESCRIPTION

Pin	Name	Description
2	TH1	Thermistor connection
3	TH2	Thermistor connection
5	FoN	Fault output low side
6	LINW	Logic Input Low Side Gate Driver - Phase W
7	LINV	Logic Input Low Side Gate Driver - Phase V
8	LINU	Logic Input Low Side Gate Driver - Phase U
10	VDN	Control power supply low side
11	GND	Control power GND low side
15	VDW	Control power supply high side – Phase W
16	HINW	Logic input high side – Phase W
17	FoW	Fault output high side – Phase W
18	GNDW	Control power GND high side – Phase W
22	VDV	Control power supply high side – Phase V
23	HINV	Logic input high side – Phase V
24	FoV	Fault output high side – Phase V
25	GNDV	Control power GND high side – Phase V
29	VDU	Control power supply high side – Phase U
30	HINU	Logic input high side – Phase U
31	FoU	Fault output high side – Phase U
32	GNDU	Control power GND high side – Phase U
33,34,35	VP	Positive Bus Input Voltage
39,40,41	U	U Phase Output
45,46,47	V	V Phase Output
51,52,53	W	W Phase Output
57,58	NU	Low Side Emitter Connection - Phase U
60,61	NV	Low Side Emitter Connection - Phase V
63,64	NW	Low Side Emitter Connection - Phase W

Note : Pins 1, 4, 9, 12, 13, 14, 19, 20, 21, 26, 27, 28, 36, 37, 38, 42, 43, 44, 48, 49, 50, 54, 55, 56, 59, and 62 are not present