

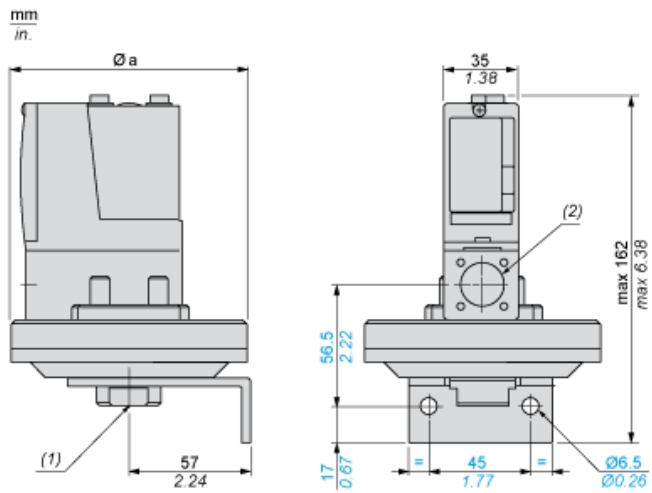
Offer Sustainability

| | |
|----------------------------------|---|
| RoHS (date code: YYWW) | Compliant - since 0928 - Schneider Electric declaration of conformity Schneider Electric declaration of conformity |
| REACH | Reference not containing SVHC above the threshold Reference not containing SVHC above the threshold |
| Product end of life instructions | Need no specific recycling operations |
| California proposition 65 | WARNING: This product can expose you to chemicals including: |
| - - - - - Substance 1 | Diisononyl phthalate (DINP), which is known to the State of California to cause cancer, and |
| - - - - - Substance 2 | Di-isodecyl phthalate (DIDP), which is known to the State of California to cause birth defects or other reproductive harm. |
| - - - - - More information | For more information go to www.p65warnings.ca.gov |

Contractual warranty

| | |
|-----------------|-----------|
| Warranty period | 18 months |
|-----------------|-----------|

Dimensions



- $\varnothing a =$ 110 mm / 4.33 in.
(1) 1 fluid entry, tapped G1/4 (BSP female)
(2) 1 electrical connections entry, tapped Pg 13.5