

SPEC.NO.	TQ3C-8EACO-E1CWC15-01
DATE	April 23, 2001

# S P E C

FOR : \_\_\_\_\_

TYPE : KCS057QV1AJ-G23

## CONTENTS

1. Application
2. Construction and Outline
3. Mechanical Specifications
4. Absolute Maximum Ratings
5. Electrical Characteristics
6. Optical Characteristics
7. Circuit Block Diagram
8. Interface Signals
9. Interface Timing Chart
10. Data and Screen
11. Input Timing Characteristics
12. Supply Voltage Sequence Condition
13. Backlight Characteristics
14. Lot Number Identification
15. Warranty
16. Precautions for Use
17. Reliability Data / Environmental Test
18. Outline Drawing

Issued  
 Date: MAY. 07. 2001  
 KYOCERA  
 Hayato LCD Division

KYOCERA CORPORATION  
 KAGOSHIMA HAYATO PLANT  
 LCD DIVISION

This specification is subject to change without notice.  
 Consult Kyocera before ordering.

Original	Designed by : Engineering Dept.			Confirmed by : QA Dept.	
	Issue Data	Prepared	Checked	Approved	Checked
August 10, 2000	T. Yamaguchi	Y. Matsumoto	T. Minami	S. Hayashi	Y. Yoshida

## Caution

1. This Kyocera LCD module has been specifically designed for use only in electronic devices in the areas of audio control, office automation, industrial control, home appliances, etc. The modules should not be used in medical applications where module failure could result in physical harm or loss of life, and Kyocera expressly disclaims any and all liability relating in any way to the use of the module in such medical applications.
2. Customer agrees to indemnify, defend and hold Kyocera harmless from and against any and all actions, claims, losses, damages, liabilities, awards, costs, and expenses, including legal fees, resulting from or arising out of Customer's use, or sale for use, of Kyocera modules in medical applications.
3. Kyocera shall have the right, which Customer hereby acknowledges, to immediately scrap or destroy tooling for Kyocera modules for which no Purchase Orders have been received from the Customer in a two-year period.

Revision Record

Date		Designed by: Engineering Dept.			Confirmed by: QA Dept.	
		Prepared	Checked	Approved	Checked	Approved
April 23, 2001		T. Yamaguchi	Y. Matsumoto	T. Minami	S. Hayashi	Y. Yoshida
Rev. No.	Date	Page	Descriptions			
0 0	August 10, 2000	—	Change SPEC No. "TQ3C-8EACO-E1AAWC154-01" → "TQ3C-8EACO-E1CWC15-00" Change ALL.			
0 1	April 23, 2001	—	ALL PAGE. ~Change unit			

## 1. Application

This data sheet defines the specification for a  $(320 \times R.G.B) \times 240$  dot, STN Transmissive color dot matrix type Liquid Crystal Display with CFL backlight.

## 2. Construction and Outline

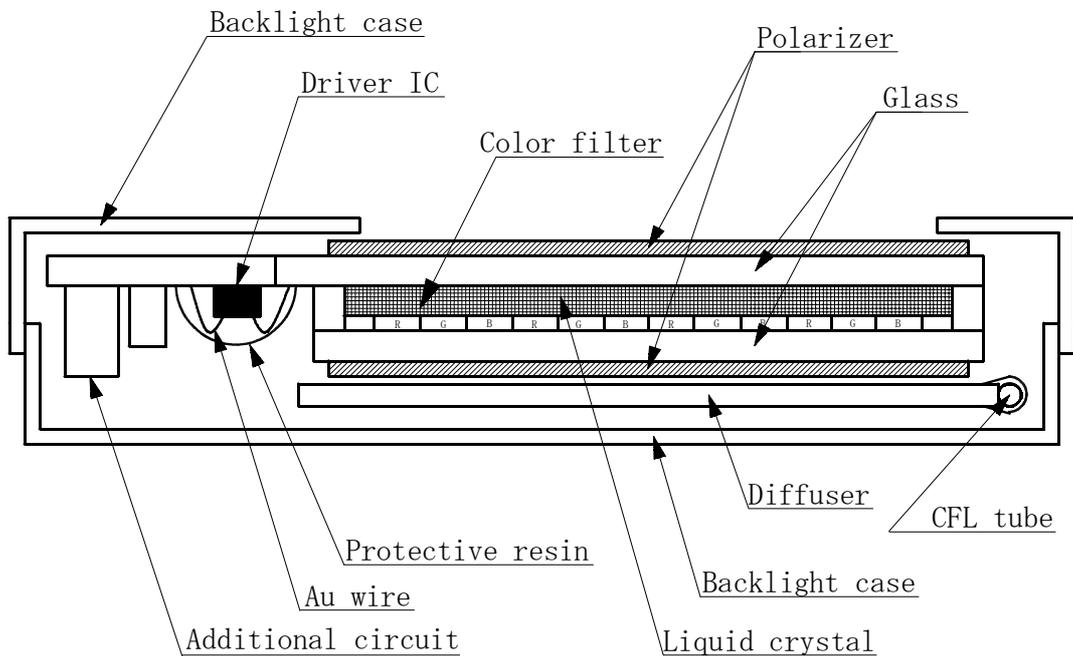
$(320 \times R.G.B) \times 240$  dots, COB type LCD with CFL backlight.

Backlight system : Side-edge type CFL (1 tube).

Inverter : Option.  
Recommended Inverter : PH-BLC08-K3 (HITACHI MEDIA ELECTRONICS)  
or equivalent.

Polarizer : Glare treatment.

Additional circuit : Bias voltage circuit, Randomizing circuit.



This drawing is showing conception only.

### 3. Mechanical Specifications

ITEM	SPECIFICATION	UNIT
Outline dimensions	154.6 (W) × 114.8 (H) × 8.5 (D)	mm
Effective viewing area	118.18 (W) × 89.38 (H)	mm
Dot number	(320×R.G.B) (W) × 240 (H)	Dots
Dot size	0.10 (W) × 0.34 (H)	mm
Dot pitch	0.12 (W) × 0.36 (H)	mm
Display color *1	White *2	—
Base color *1	Black *2	—
Mass	200	g

\*1 Due to the characteristics of the LC material, the color vary with environmental temperature.

\*2 Negative-type display

Display data "H" :R, G, B Dots ON : White

Display data "L" :R, G, B Dots OFF : Black

### 4. Absolute Maximum Ratings

#### 4-1. Electrical absolute maximum ratings

ITEM	SYMBOL	MIN.	MAX.	UNIT
Supply voltage for logic	VDD	0	7.0	V
Supply voltage for LCD driving	VEE	0	33.0	V
Input signal voltage *1	Vin	0	VDD	V

\*1 Input signal :CP, LOAD, FRM, DISP, D0~D7

4-2. Environmental absolute maximum ratings

ITEM	SYMBOL	MIN	MAX	UNIT
Operating temperature *1	Top	0	60	°C
Storage temperature *2	T <sub>STO</sub>	-20	60	°C
Operating humidity *3	H <sub>OP</sub>	10	*4	%RH
Storage humidity *3	H <sub>STO</sub>	10	*4	%RH
Vibration	—	*5	*5	—
Shock	—	*6	*6	—

\*1 LCD's display quality shall not be guaranteed at the temperature range of :  
below 0°C and upper 40°C.

\*2 Temp. = -20°C < 48 h , Temp = 60°C < 168 h  
Store LCD panel at normal temperature/humidity.  
Keep it free from vibration and shock.  
LCD panel that is kept at low or high temperature for a long time can be defective due to  
the other conditions, even if the temperature satisfies standard.

\*3 Non-condensation.

\*4 Temp. ≤ 40°C, 85% RH Max.  
Temp. > 40°C, Absolute Humidity shall be less than 85%RH at 40°C.

\*5

Frequency	10~55 Hz	Converted to acceleration value : (0.3~9 m/s <sup>2</sup> )
Vibration width	0.15 mm	
Interval	10-55-10 Hz 1 minute	

2 hours in each direction X/Y/Z (6 hours as total)  
EIAJ ED-2531

\*6 Acceleration: 490m/s<sup>2</sup>  
Pulse width : 11 ms  
3 times in each direction : ±X/±Y/±Z.  
EIAJ ED-2531



## 6. Optical Characteristics

Temp. = 25°C

ITEM		SYMBOL	CONDITION		MIN.	TYP.	MAX.	UNIT
Response time	Rise	Tr	$\theta = \phi = 0^\circ$		—	220	320	ms
	Down	Td	$\theta = \phi = 0^\circ$		—	110	210	ms
Viewing angle range		$\theta$	CR $\geq 2$	$\phi = 0^\circ$	-30	—	30	deg.
		$\phi$		$\theta = 0^\circ$	-50	—	50	deg.
Contrast ratio		CR	$\theta = \phi = 0^\circ$		20.0	40.0	—	—
Brightness(IL=5.0mA)		L	—		140	200	—	cd/m <sup>2</sup>
Chromaticity coordinates	Red	x	$\theta = \phi = 0^\circ$		0.50	0.55	0.60	—
		y			0.30	0.35	0.40	
	Green	x	$\theta = \phi = 0^\circ$		0.26	0.31	0.36	
		y			0.47	0.52	0.57	
	Blue	x	$\theta = \phi = 0^\circ$		0.11	0.16	0.21	
		y			0.12	0.17	0.22	
	White	x	$\theta = \phi = 0^\circ$		0.27	0.32	0.37	
		y			0.30	0.35	0.40	
	Black	x	$\theta = \phi = 0^\circ$		0.25	0.30	0.35	
		y			0.26	0.31	0.36	

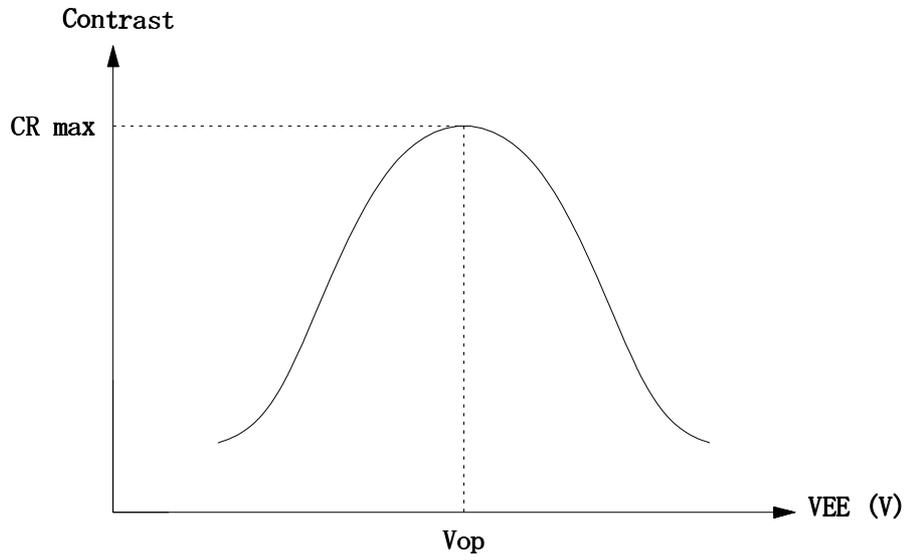
Optimum contrast is obtained by adjusting the LCD driving voltage(Vop) while at the viewing angle of  $\theta = \phi = 0^\circ$ .

6-1 Contrast ratio is defined as follows:

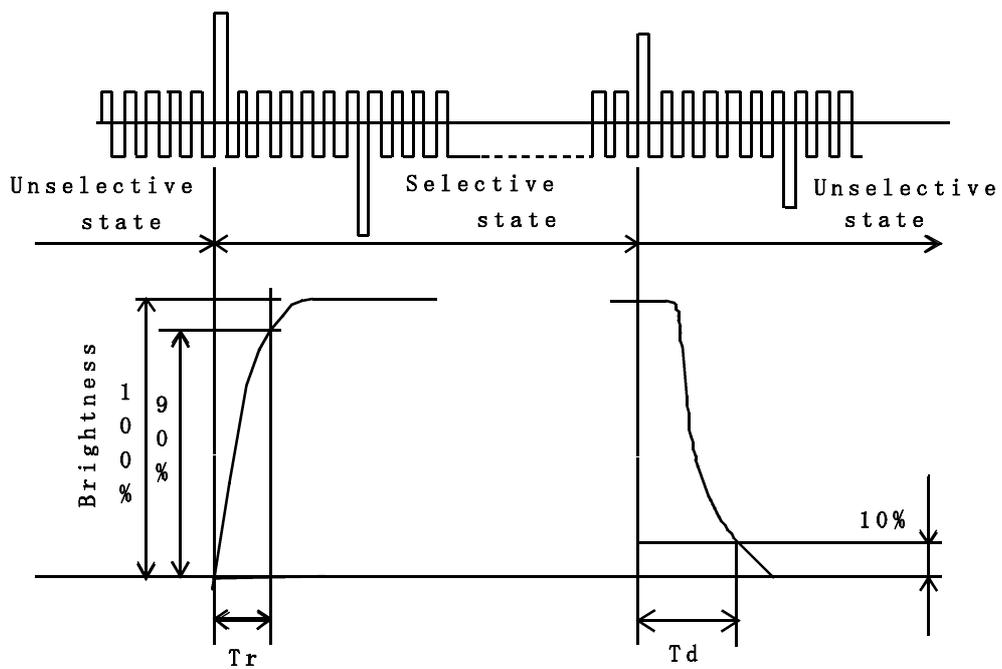
$$CR = \frac{\text{Brightness all pixels "White"}}{\text{Brightness all pixels "Black"}}$$



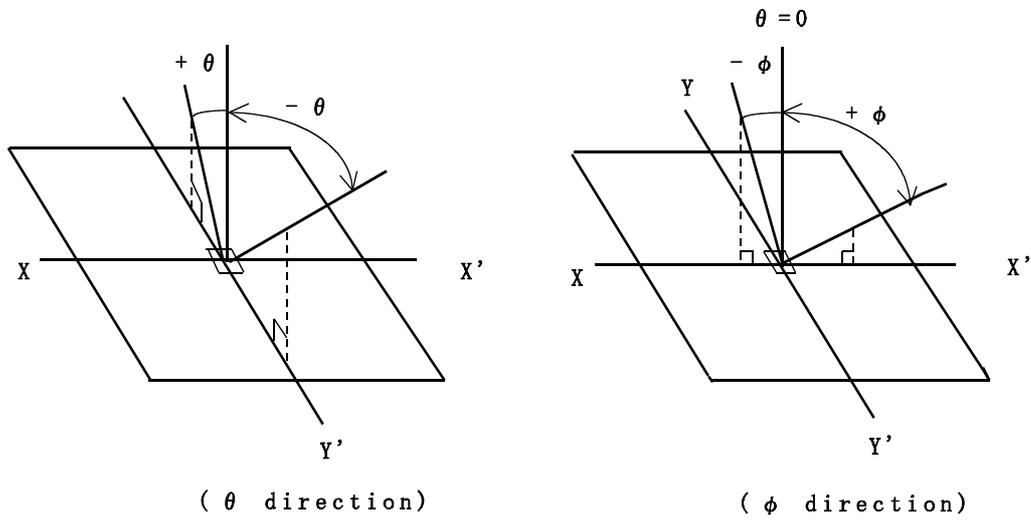
6-2. Definition of  $V_{op}$



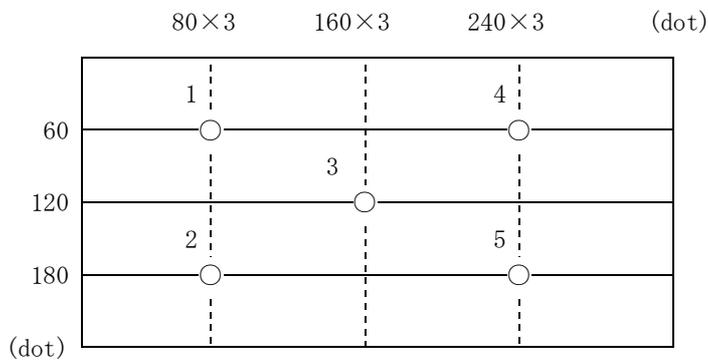
6-3. Definition of response time



6-4. Definition of viewing angle

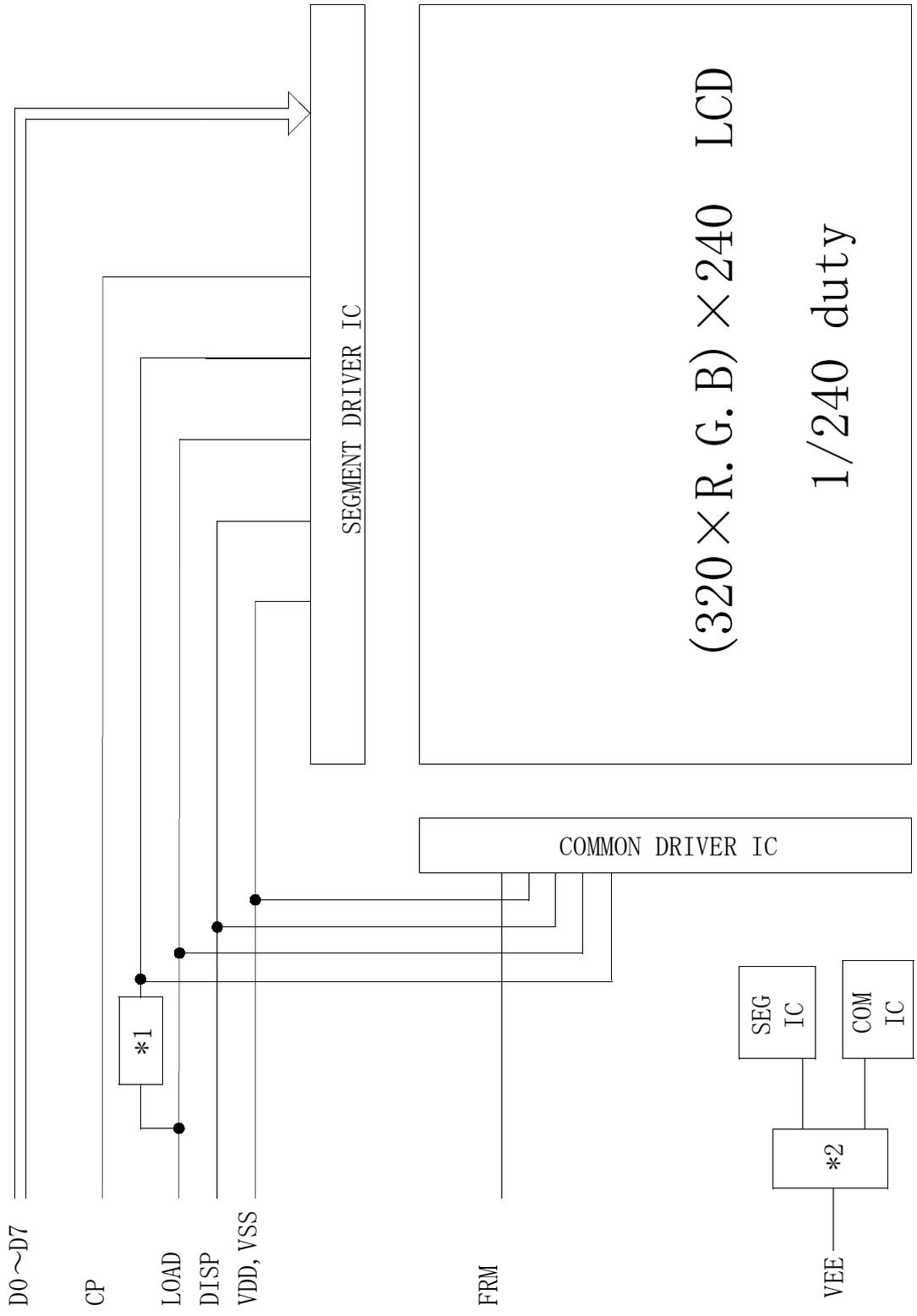


6-5. Measuring points



- 1) Rating is defined as the average brightness inside the viewing area.
- 2) 30 minutes after CFL is turned on. (Ambient Temp.=25°C)
- 3) The inverter should meet the eccentric conditions;  
-Sine, symmetric waveform without spike in positive and negative.
- 4) Measuring Inverter : PH-BLC08-K3 (HITACHI MEDIA ELECTRONICS)

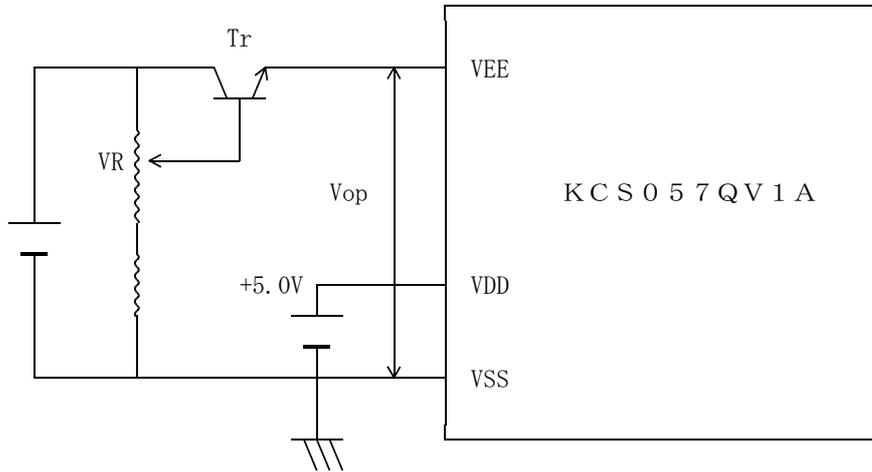
7. Circuit Block Diagram



\*1 Randomizing circuit

\*2 Bias voltage circuit

7-1. Power supply



## 8. Interface signals

### 8-1. LCD

CN1 : 53261-1510(Molex)

PIN NO.	SYMBOL	DESCRIPTION	LEVEL
1	FRM	Synchronous signal for driving scanning line	H
2	LOAD	Data signal latch clock	H → L
3	CP	Data signal shift clock	H → L
4	DISP	Display control signal	H(ON), L(OFF)
5	VDD	Power supply for logic	—
6	VSS	GND	—
7	VEE	Power supply for LCD	—
8	D7	Display data	H(ON), L(OFF)
9	D6		
10	D5		
11	D4		
12	D3		
13	D2		
14	D1		
15	D0		

Recommended matching connector : 51021-1500(Molex)

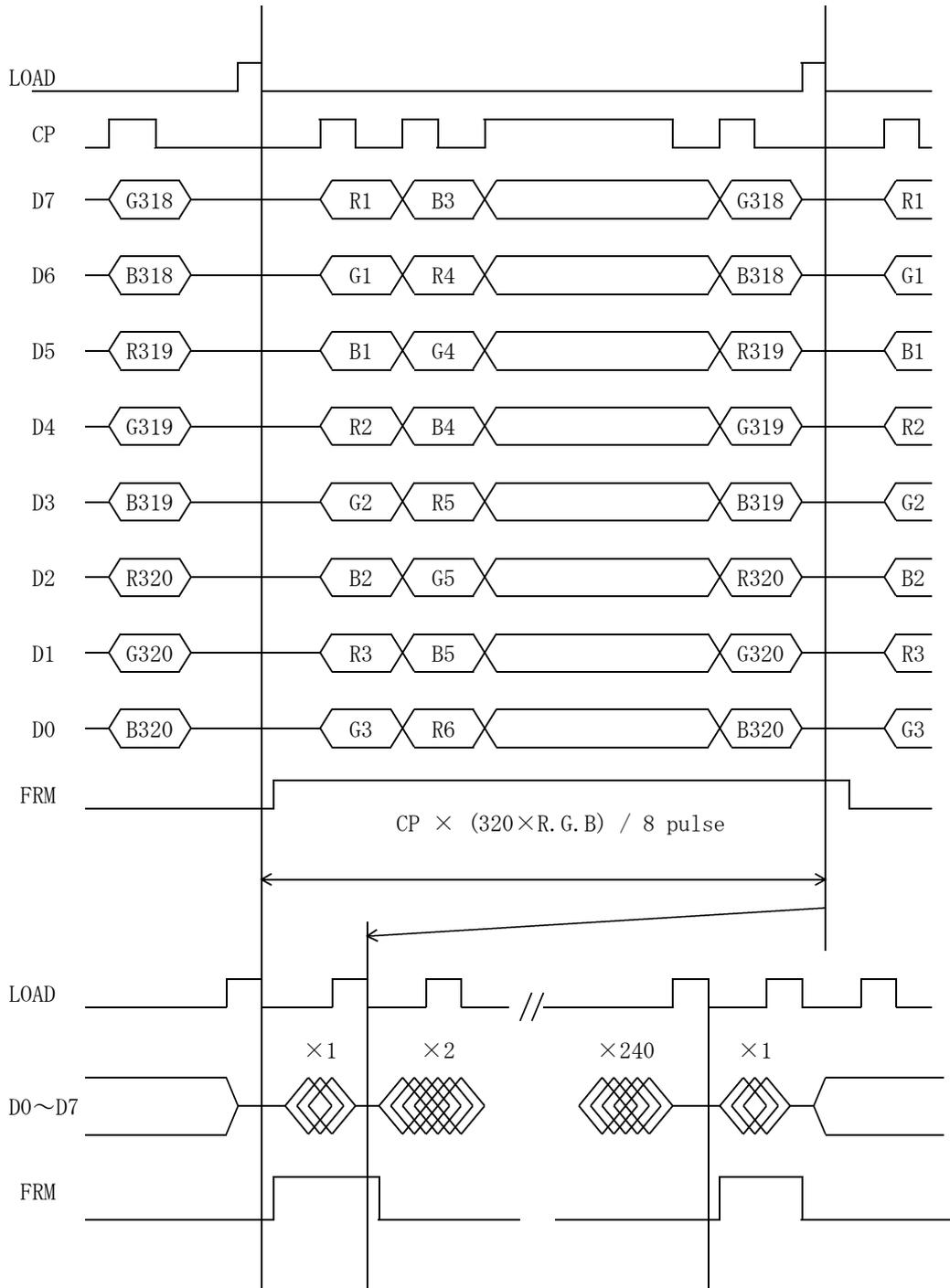
NOTE) This is assignment is the reverse of what Molex defined.  
Remember that for your designing.

### 8-2. CFL

PIN No	SYMBOL	DESCRIPTION	LEVEL
1	HV	Power supply for CFL	AC
2	NC	—	—
3	GND	Ground line(from inverter)	—

LCD side connector : BHR-03VS-1 (JST)  
Recommended matching connector : SM02-(8.0)B-BHS-1 (JST)

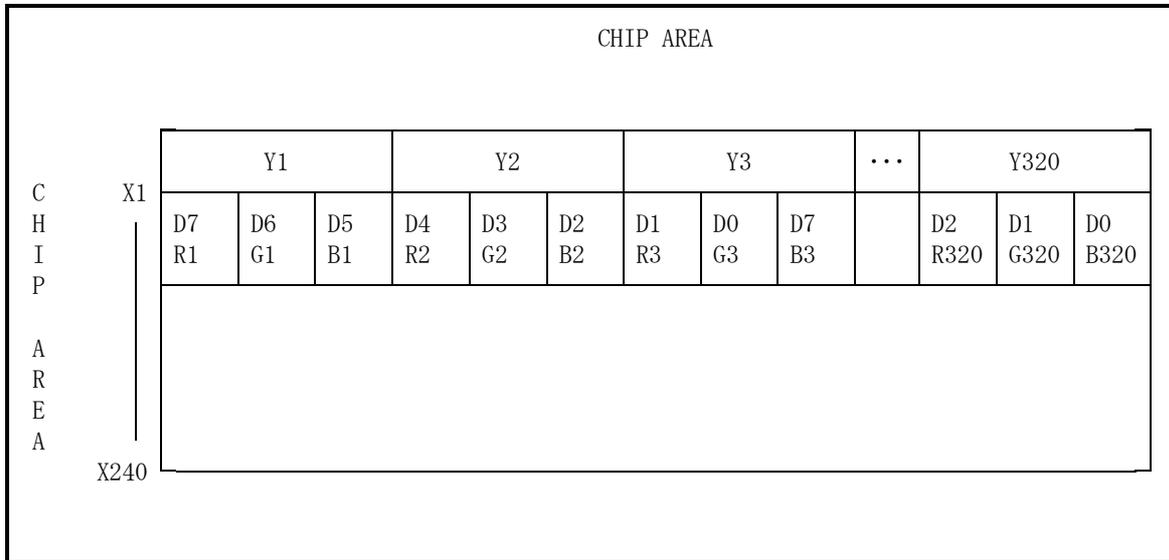
## 9. Interface Timing Chart



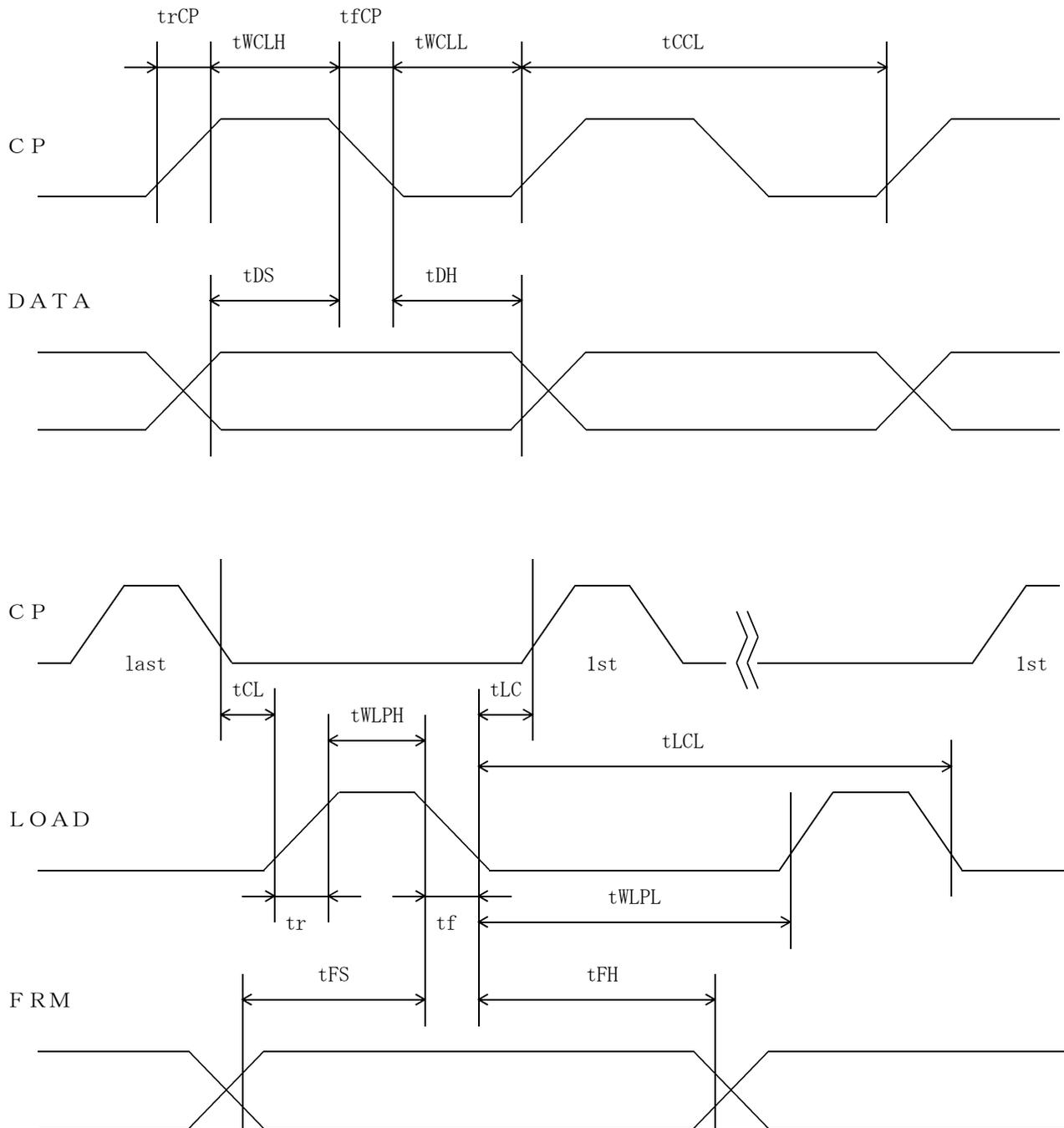
\* The cycle of load signal should be stable and continuously applied without interruption.

\* The above-mentioned timing chart shows a reference to set up a LCD module, not an electrical rating

10. Data and Screen



## 11. Input Timing Characteristics





11-1. Switching characteristics

Input Characteristics ; VDD = +5.0V ± 5%, Temp. = 25 °C

ITEM	SYMBOL	MIN.	MAX.	UNIT
CP Cycle *1,*2	tCCL	62	—	ns
CP "H" Pulse Width *2	tWCLH	25	—	ns
CP "L" Pulse Width *2	tWCLL	25	—	ns
CP Rise Up Time *2	trCP	—	30	ns
CP Fall Down Time *2	tfCP	—	30	ns
Data Set Up Time	tDS	20	—	ns
Data Hold Time	tDH	15	—	ns
LOAD "H" Pulse Width	tWLPH	50	—	ns
LOAD "L" Pulse Width	tWLPL	370	—	ns
LOAD Cycle *3	tLCL	420	—	ns
CP→LOAD Delay Time	tCL	0	—	ns
LOAD→CP Delay Time *4	tLC	120-tWLPH	—	ns
Input Signal Rise Up Time	tr	—	30	ns
Input Signal Fall Down Time	tf	—	30	ns
FRM Data Set Up Time	tFS	100	—	ns
FRM Data Hold Time	tFH	30	—	ns

\*1 CP Cycle is adjust so that FRM signal is 75Hz.

\*2 The formula of condition

$$\textcircled{1} \text{ trCP} + \text{tfCP} \leq \text{tCCL} - (\text{tWCLH} + \text{tWCLL})$$

$$\textcircled{2} \text{ trCP}, \text{tfCP} \leq 30 \text{ ns}$$

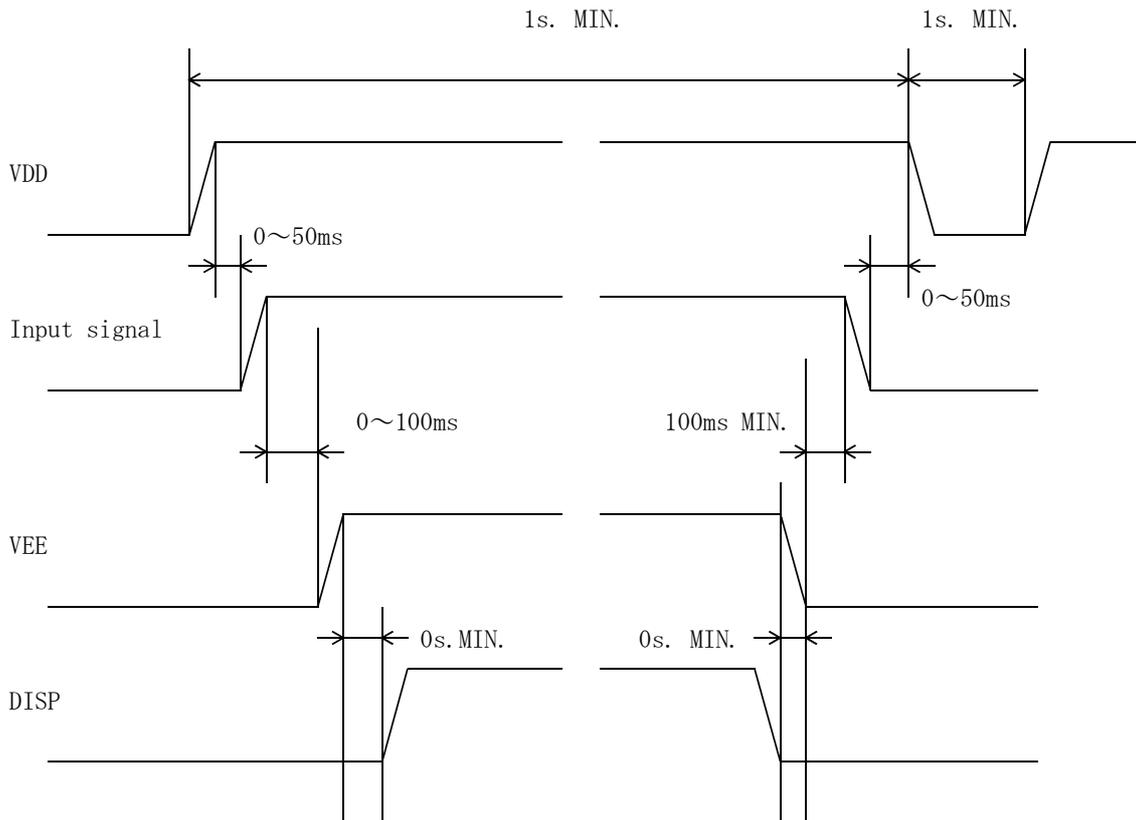
Please use on condition that ①, ② are filled.

\*3 LOAD Cycle is const.

\*4  $t_{LC} \geq 0$

## 12. Supply Voltage Sequence Condition

DO NOT apply DC voltage to the LCD panel. DC voltage induce irreversible electrochemical reactions and reduce LCD life. Always follow the power supply ON/OFF sequence of VDD first, input signal second, VEE third and finally DISP. This will prevent DC driving of the LCD or CMOS LSI latch up as shown below.



\* The above sequence should be designed as to keep each normal figure on condition that liquid crystal module is loaded on your system.

\* Control the input signal and VEE to the above ON - OFF timing when you switch ON/OFF the display during VDD and DISP are on.

And design the circuit as VEE's OFF level become GND level at the same time.

### 13. Backlight Characteristics

Temp. = 25°C

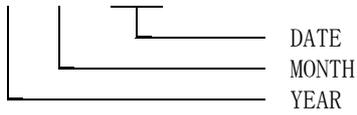
ITEM	SYMBOL	MIN.	TYP.	MAX.	NOTE
Starting discharge Voltage *1	VS	—	—	795 Vrms.	0 °C
		—	—	530 Vrms.	25 °C
Discharging tube current *2, *3	IL	2.0 mArms.	5.0 mArms.	6.0 mArms.	—
Discharging tube voltage	VL	—	320 Vrms.	—	—
Operating life (IL=5.0 mArms.) *4	T	25,000 h	40,000 h	—	—
Operating frequency	F	30 kHz	—	100 kHz	—

- \*1 The Non-load output voltage (VS) of the inverter should be designed to have some margin, because VS may increase due to the leak current which may be caused by wiring of CFL cables. (Reference value: 1035 Vrms MIN.)
- \*2 We recommend that you should set the discharging tube current at lower than typical value so as to prevent the heat accumulation of CFL tube from deteriorating a performance of the LCD.
- \*3 Do not apply more than (6.0)mA discharge tube current. Because CFL maybe broken due to over current.
- \*4 When the illuminance or quantity of light has decreased to 50 % of the initial value. Average life time of CFL will be decreased when LCD is operating at lower and Higher temperature.

14. Lot Number Identification

The lot number shall be indicated on the back of the backlight case of each LCD.

K C S 0 5 7 Q V 1 A J - G 2 3 -   -



YEAR	2001	2002	2003	2004	2005	2006
CODE	1	2	3	4	5	6

MONTH	JAN.	FEB.	MAR.	APR.	MAY	JUN.
CODE	1	2	3	4	5	6

MONTH	JUL.	AUG.	SEP.	OCT.	NOV.	DEC.
CODE	7	8	9	X	Y	Z

15. Warranty

15-1. Incoming inspection

Please inspect the LCD within one month after your receipt.

15-2. Production Warranty

Kyocera warrants its LCDs for a period of 12 months after receipt by the purchaser, and within the limits specified. Kyocera shall, by mutual agreement, replace or rework defective LCDs that are shown to be Kyocera's responsibility.

## 16. Precautions for use

### 16-1. Installation of the LCD

1. Please ground either of the mounting (screw) holes located at each corner of an LCD module, in order to stabilize brightness and display quality.
2. A transparent protection plate shall be added to protect the LCD and its polarizers.
3. The LCD shall be installed so that there is no pressure on the LSI chips.
4. The LCD shall be installed flat, without twisting or bending.
5. The display window size should be the same as the effective viewing area.
6. In case you use outside frame of effective viewing area as outward appearance of your product, unevenness of its outward appearance is out of guarantee.
7. Do not pull the CFL lead wires and do not bend the root of the wires.  
Housing should be designed to protect CFL lead wires from external stress.

### 16-2. Static Electricity

1. Since CMOS ICs are mounted directly onto the LCD glass, protection from static electricity is required. Operation should wear ground straps.

### 16-3. LCD Operation

1. The LCD shall be operated within the limits specified. Operation at values outside of these limits may shorten life, and/or harm display images.
2. Vop must be adjusted to optimize viewing angle and contrast.
3. Operation of the LCD at temperature below the limit specified may cause image degradation and/or bubbles.

It may also change the characteristics of the liquid crystal.

This phenomenon may not recover. The LCD shall be operated within the temperature limits specified.

### 16-4. Storage

1. The LCD shall be stored within the temperature and humidity limits specified.  
Store in a dark area, and protected the LCD from direct sunlight or fluorescent light.
2. The LCD should be packaged to prevent damage.

### 16-5. Screen Surface

1. DO NOT store in a high humidity environment for extended periods.  
Image degradation, bubbles, and/or peeling off of polarizer may result.
2. The front polarizer is easily scratched or damaged.  
Prevent touching it with any hard material, and from being pushed or rubbed.
3. The LCD screen may be cleaned with a soft cloth or cotton pad.  
Methanol, or Isopropyl Alcohol may be used, but insure that all solvent residue is removed.
4. Water may cause damage or discoloration of the polarizer.  
Clean any condensation or moisture from any source immediately.
5. Always keep the LCD free from condensation during testing.  
Condensation may permanently spot or stain the polarizers.

17. Reliability Data / Environmental Test

TEST ITEM	TEST CONDITION	TEST TIME	RESULT
High Temp. Atmosphere	70°C	240 h	Display Quality : No defect Display Function : No defect Current Consumption : No defect
Low Temp. Atmosphere	-20°C	240 h	Low Temp. Bubble : None Solid Crystallization of Liquid Crystal : None Display Quality : No defect Display Function : No defect Current Consumption : No defect
High Temp. Humidity Atmosphere	40°C 90%RH	240 h	Display Quality : No defect Display Function : No defect Peel-off of Organic Sealing : None Current Consumption : No defect
Temp. Cycle	-20°C 0.5 h R.T. 0.5 h 60°C 0.5 h	10 cycles	Display Quality : No defect Display Function : No defect Peel-off of Organic Sealing : None Bubble on Cell : None
High Temp. Operation	60°C Vop	500 h	Display Quality : No defect Current Consumption : No defect

\* Each test item uses a test LCD only once. The tested LCD is not used in any other tests.

\* The LCD is tested in circumstances in which there is no condensation.

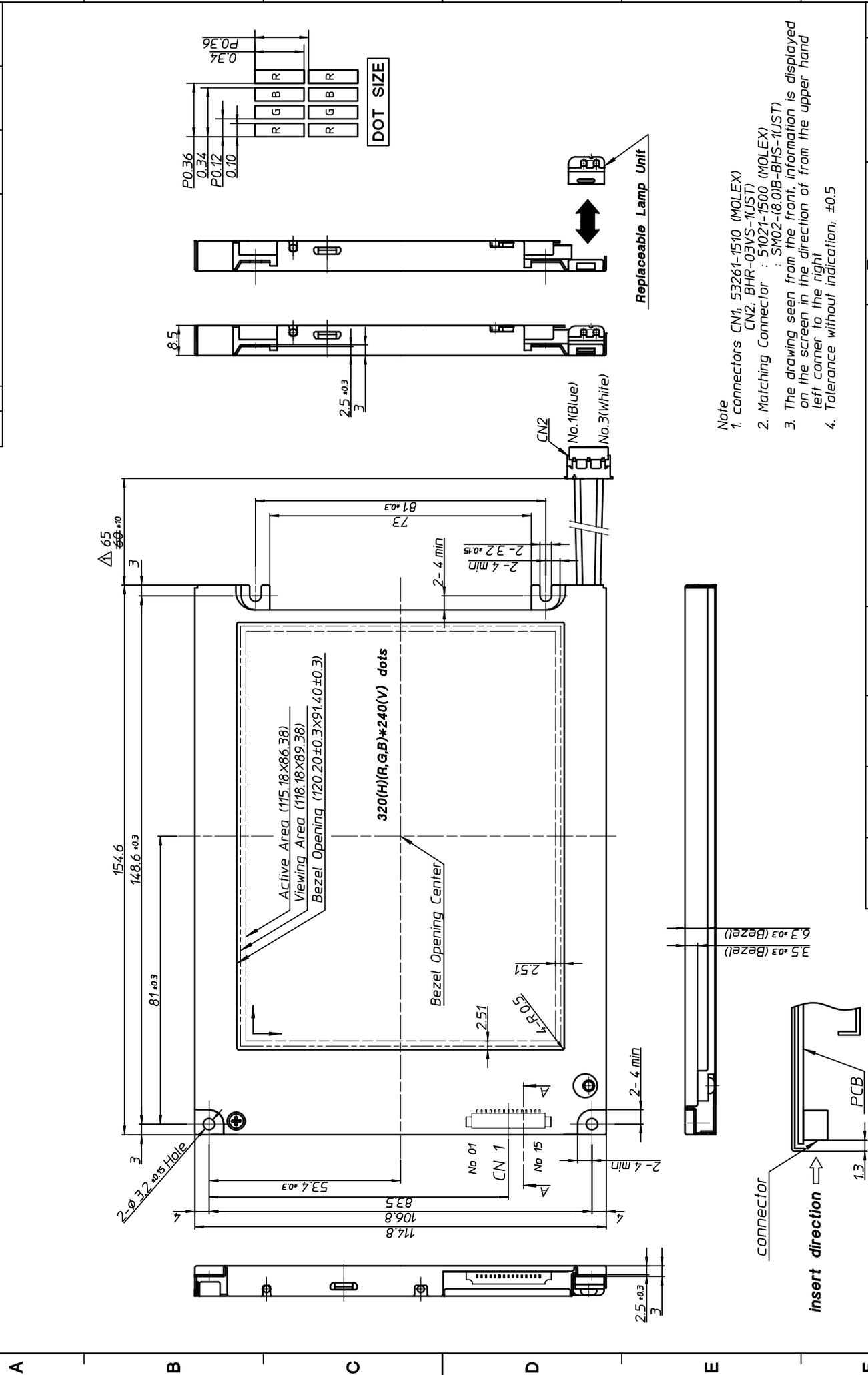
\* The tested LCD is inspected after 24 hours of storage at room temperature and room humidity after each test is finished.

\* The reliability test is not an out-going inspection.

\* The result of the reliability test are for your reference purpose only.  
The reliability test is conducted only to examine the LCD's capability.

6 7 8

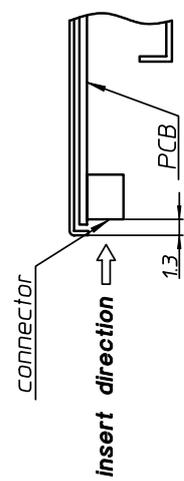
Rev No	Description	Drwn	Chk	App
1	Change dimension (wire)	米満	今村	竹本



- Note
- connectors CN1: 53261-1510 (MOLEX)  
CN2: BHR-03VS-1(JST)
  - Matching Connector : 51021-1500 (MOLEX)  
: SM02-18.0)B-BHS-1(JST)
  - The drawing seen from the front, information is displayed on the screen in the direction of from the upper hand left corner to the right
  - Tolerance without indication: ±0.5

Approved	Checked	Drawn	Scale	Title	Year-Month-Day		Size
99-04-08	99-04-08	米満	1/1	KCS057QV1AJ	99-04-08	99-04-08	3
竹本	今村	米満		Outline Dimensions	Drawing No.		
					121A0088500-1		

SECTION A-A



1 2 3 4 5 6 7 8

SPEC.NO.	TQ3C-8EAC0-E2CWC16-00
DATE	August 10,2000

FOR : \_\_\_\_\_

KYOCERA INSPECTION STANDARD

TYPE : KCS057QV1AJ-G23

KYOCERA CORPORATION  
KAGOSHIMA HAYATO PLANT  
LCD DIVISION

Original	Designed by :Engineering Dept.			Confirmed by :QA Dept.	
Issue Data	Prepared	Checked	Approved	Checked	Approved
August 10,2000	<i>Y. Yamazaki</i>	<i>Y. Matsumoto</i>	<i>Y. Matsumoto</i>	<i>S. Hayashi</i>	<i>Y. Yoshida</i>



Revision Record

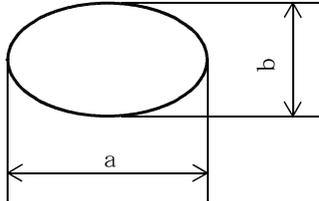
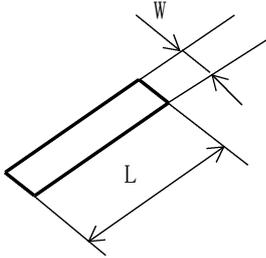
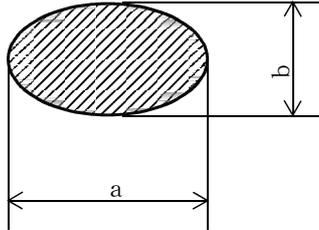
Date		Designed by: Engineering Dept.			Confirmed by: QA Dept.	
		Prepared	Checked	Approved	Checked	Approved
August 10, 2000		<i>Y. Yamazaki</i>	<i>Y. Matsumura</i>	<i>Y. Matsumura</i>	<i>S. Hayashi</i>	<i>Y. Yoshida</i>
Rev. No.	Date	Page	Descriptions			
00	August 10, 2000	-	Change SPEC No. "TQ3C-8EACO-E2AAWC154-00" → "TQ3C-8EACO-E2CWC16-00"			

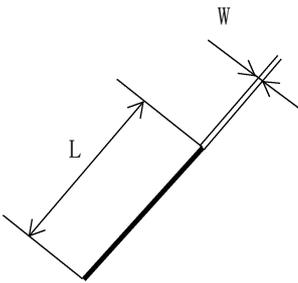
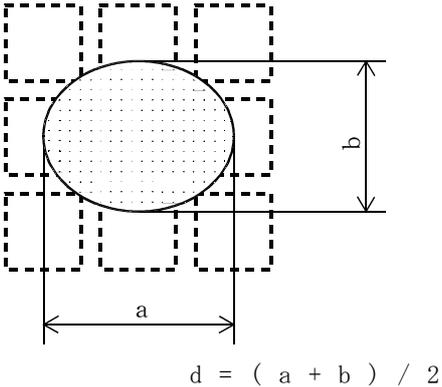
# Visuals specification

## 1)Note

Item	Note						
General	<p>1. When defects specified in this Inspection Standards are inspected, operating voltage(Vop) shall be set at the level where optimized contrast is available. Display quality is applied up to effective viewing area. (Bi-Level INSPECTION)</p> <p>2. This inspection standard about the image quality shall be applied to any defect within the effective viewing area and shall not be applicable to outside of the area.</p> <p>3. Should any defects which are not specified in this standard happen, additional standard shall be determined by mutual agreement between customer and Kyocera.</p> <p>4. Inspection conditions</p> <p>Luminance : 500 Lux minimum .            Inspection distance : 300 mm (from the sample)            Temperature : 25 ± 5 °C            Direction : right above</p>						
Definition of Inspection item	<table border="1"> <tr> <td data-bbox="528 1346 911 1637">Pinhole, Bright spot Black spot, Scratch Foreign particle</td> <td data-bbox="911 1346 1445 1637">The color of a small area is different from the remainder. The phenomenon dose not change with voltage.</td> </tr> <tr> <td data-bbox="528 1637 911 1906">Contrast variation</td> <td data-bbox="911 1637 1445 1906">The color of a small area is different from the remainder. The phenomenon changes with voltage.</td> </tr> <tr> <td data-bbox="528 1906 911 2159">Polarizer ( Scratch, Bubble, Dent )</td> <td data-bbox="911 1906 1445 2159">Scratch, Bubble and Dent in the polarizer which can be observed in on / off state.</td> </tr> </table>	Pinhole, Bright spot Black spot, Scratch Foreign particle	The color of a small area is different from the remainder. The phenomenon dose not change with voltage.	Contrast variation	The color of a small area is different from the remainder. The phenomenon changes with voltage.	Polarizer ( Scratch, Bubble, Dent )	Scratch, Bubble and Dent in the polarizer which can be observed in on / off state.
Pinhole, Bright spot Black spot, Scratch Foreign particle	The color of a small area is different from the remainder. The phenomenon dose not change with voltage.						
Contrast variation	The color of a small area is different from the remainder. The phenomenon changes with voltage.						
Polarizer ( Scratch, Bubble, Dent )	Scratch, Bubble and Dent in the polarizer which can be observed in on / off state.						

2)Standard

Inspection item	Judgement standard																						
Pinhole, Bright spot Black spot, Foreign particle	<div style="text-align: center;">  <math display="block">d = ( a + b ) / 2</math> <table border="1" data-bbox="587 680 1393 913"> <thead> <tr> <th>Category</th> <th>Size (mm)</th> <th>Acceptable number</th> </tr> </thead> <tbody> <tr> <td>A</td> <td><math>d \leq 0.2</math></td> <td>neglected</td> </tr> <tr> <td>B</td> <td><math>0.2 &lt; d \leq 0.3</math></td> <td>5</td> </tr> <tr> <td>C</td> <td><math>0.3 &lt; d \leq 0.5</math></td> <td>3</td> </tr> <tr> <td>D</td> <td><math>0.5 &lt; d</math></td> <td>0</td> </tr> </tbody> </table> </div>	Category	Size (mm)	Acceptable number	A	$d \leq 0.2$	neglected	B	$0.2 < d \leq 0.3$	5	C	$0.3 < d \leq 0.5$	3	D	$0.5 < d$	0							
Category	Size (mm)	Acceptable number																					
A	$d \leq 0.2$	neglected																					
B	$0.2 < d \leq 0.3$	5																					
C	$0.3 < d \leq 0.5$	3																					
D	$0.5 < d$	0																					
Scratch, Foreign particle	<div style="text-align: center;">  <table border="1" data-bbox="557 1283 1422 1585"> <thead> <tr> <th></th> <th>Width (mm)</th> <th>Length (mm)</th> <th>Acceptable No.</th> </tr> </thead> <tbody> <tr> <td>A</td> <td><math>W \leq 0.03</math></td> <td>—</td> <td>neglected</td> </tr> <tr> <td>B</td> <td rowspan="3"><math>0.03 &lt; W \leq 0.1</math></td> <td><math>L \leq 2.0</math></td> <td>neglected</td> </tr> <tr> <td>C</td> <td><math>2.0 &lt; L \leq 4.0</math></td> <td>3</td> </tr> <tr> <td>D</td> <td><math>4.0 &lt; L</math></td> <td>0</td> </tr> <tr> <td>E</td> <td><math>0.1 &lt; W</math></td> <td>—</td> <td>According to Circular</td> </tr> </tbody> </table> </div>		Width (mm)	Length (mm)	Acceptable No.	A	$W \leq 0.03$	—	neglected	B	$0.03 < W \leq 0.1$	$L \leq 2.0$	neglected	C	$2.0 < L \leq 4.0$	3	D	$4.0 < L$	0	E	$0.1 < W$	—	According to Circular
	Width (mm)	Length (mm)	Acceptable No.																				
A	$W \leq 0.03$	—	neglected																				
B	$0.03 < W \leq 0.1$	$L \leq 2.0$	neglected																				
C		$2.0 < L \leq 4.0$	3																				
D		$4.0 < L$	0																				
E	$0.1 < W$	—	According to Circular																				
Contrast variation	<div style="text-align: center;">  <math display="block">d = ( a + b ) / 2</math> <table border="1" data-bbox="587 1933 1393 2123"> <thead> <tr> <th>Category</th> <th>Size (mm)</th> <th>Acceptable number</th> </tr> </thead> <tbody> <tr> <td>A</td> <td><math>d \leq 0.5</math></td> <td>neglected</td> </tr> <tr> <td>B</td> <td><math>0.5 &lt; d \leq 0.7</math></td> <td>3</td> </tr> <tr> <td>C</td> <td><math>0.7 &lt; d</math></td> <td>0</td> </tr> </tbody> </table> </div>	Category	Size (mm)	Acceptable number	A	$d \leq 0.5$	neglected	B	$0.5 < d \leq 0.7$	3	C	$0.7 < d$	0										
Category	Size (mm)	Acceptable number																					
A	$d \leq 0.5$	neglected																					
B	$0.5 < d \leq 0.7$	3																					
C	$0.7 < d$	0																					

Inspection item	Judgement standard																			
Polarizer ( Scratch, Bubble, Dent )	<p data-bbox="544 353 710 383">(1) Scratch</p>  <table border="1" data-bbox="560 797 1422 1126"> <thead> <tr> <th></th> <th>Width (mm)</th> <th>Length (mm)</th> <th>Acceptable No.</th> </tr> </thead> <tbody> <tr> <td>A</td> <td><math>W \leq 0.1</math></td> <td>—</td> <td>neglected</td> </tr> <tr> <td>B</td> <td rowspan="2"><math>0.1 &lt; W \leq 0.3</math></td> <td><math>L \leq 5.0</math></td> <td>neglected</td> </tr> <tr> <td>C</td> <td><math>5.0 &lt; L</math></td> <td>0</td> </tr> <tr> <td>D</td> <td><math>0.3 &lt; W</math></td> <td>—</td> <td>0</td> </tr> </tbody> </table>		Width (mm)	Length (mm)	Acceptable No.	A	$W \leq 0.1$	—	neglected	B	$0.1 < W \leq 0.3$	$L \leq 5.0$	neglected	C	$5.0 < L$	0	D	$0.3 < W$	—	0
	Width (mm)	Length (mm)	Acceptable No.																	
A	$W \leq 0.1$	—	neglected																	
B	$0.1 < W \leq 0.3$	$L \leq 5.0$	neglected																	
C		$5.0 < L$	0																	
D	$0.3 < W$	—	0																	
	<p data-bbox="544 1182 807 1211">(2)Bubble ( dent )</p>  <table border="1" data-bbox="587 1787 1393 2116"> <thead> <tr> <th>Category</th> <th>Size (mm)</th> <th>Acceptable number</th> </tr> </thead> <tbody> <tr> <td>A</td> <td><math>d \leq 0.2</math></td> <td>neglected</td> </tr> <tr> <td>B</td> <td><math>0.2 &lt; d \leq 0.3</math></td> <td>5</td> </tr> <tr> <td>C</td> <td><math>0.3 &lt; d \leq 0.5</math></td> <td>3</td> </tr> <tr> <td>D</td> <td><math>0.5 &lt; d</math></td> <td>0</td> </tr> </tbody> </table>	Category	Size (mm)	Acceptable number	A	$d \leq 0.2$	neglected	B	$0.2 < d \leq 0.3$	5	C	$0.3 < d \leq 0.5$	3	D	$0.5 < d$	0				
Category	Size (mm)	Acceptable number																		
A	$d \leq 0.2$	neglected																		
B	$0.2 < d \leq 0.3$	5																		
C	$0.3 < d \leq 0.5$	3																		
D	$0.5 < d$	0																		