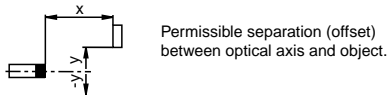
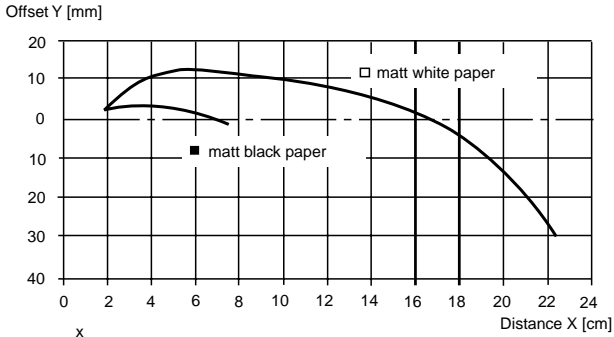


# OBT200.-18GM70-.-V1

## Diagrams

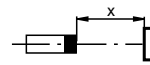
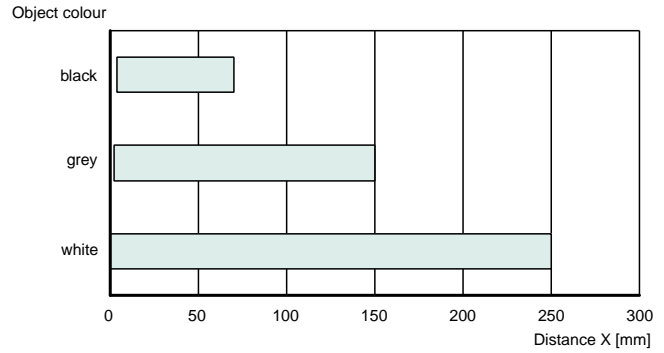
**Characteristic response curve**

OBT200-18GM70



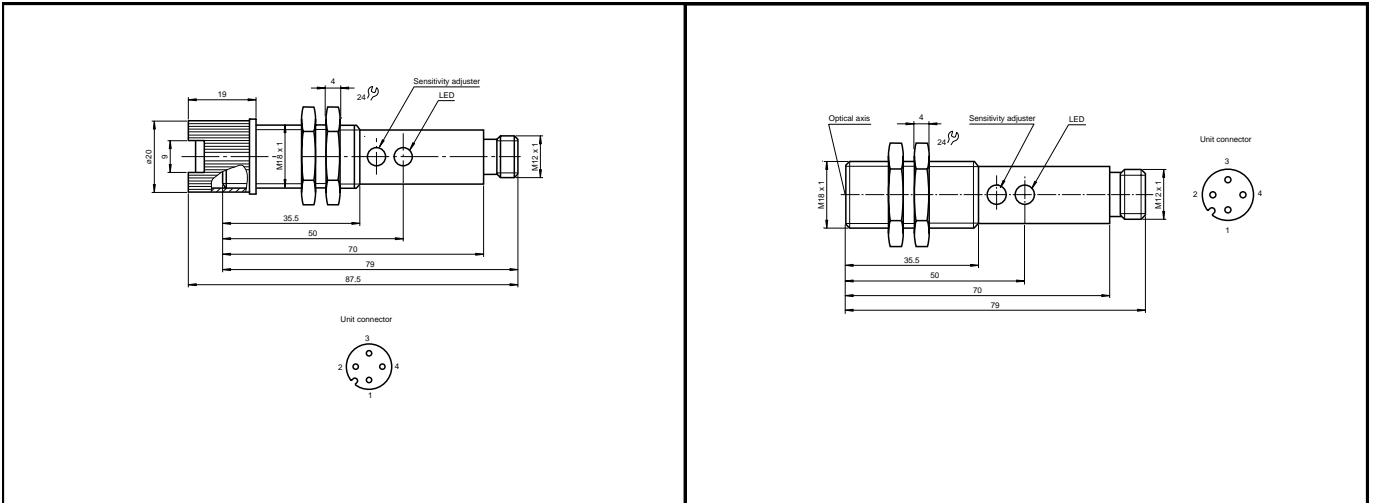
**Scanning range without fibre optics**

OBT200-18GM70

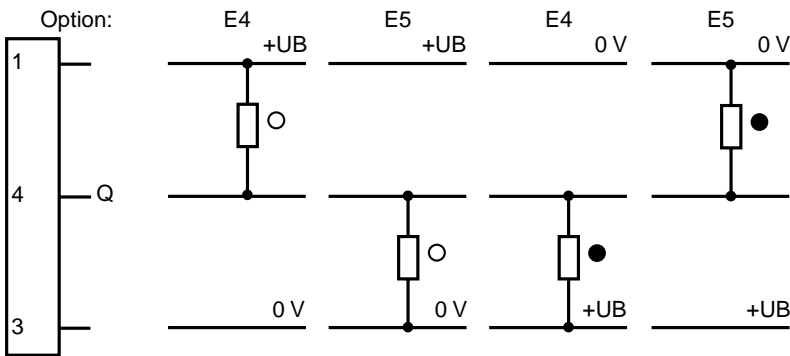


Sensors in threaded housings

Dimensions



Electrical Connection



Sensors in threaded housings