

At a glance:

- Smallest fully self-contained photoelectric proximity switches on the market
- Cylindrical light beam
- Well-defined operating range
- Standardized sizes: Ø 4 mm smooth and M5 threaded
- Sapphire window, therefore scratch resistant and easy to clean
- Excellent resistance to environmental influences thanks to fully vacuum-potted electronics and optical parts
- High degree of protection: IP 67

Construction

The devices are built into stainless-steel housings, and fully potted under vacuum. The optical part combines reflectors with spherical lenses, which allows for full potting without degradation of the optical characteristics, thus providing the best long-term reliability in difficult environments. The electronic module uses chip-on-board technology on a ceramic-free substrate, and is therefore insensitive to shock and deformation.

Sensitivity setting

The sensitivity is factory adjusted and cannot be modified by the user.

Protection

The switches are protected against overloads, short-circuits and all possible wire reversals. Furthermore, protection against over-voltages caused by inductive loads on the output and against voltage spikes on the power supply lines are built in. Malfunctions or destruction caused by electrostatic discharges, fast transients, or HF fields, are prevented by appropriate technology.

LED

The LED (yellow) lights up if a sufficient quantity of light falls on the receiver; at the same time, the light-ON output is switched. The LED flashes if the receiver does not receive enough light (excess light) for reliable operation.

Connection

Switches with 2 m PVC cable 3 x 0.14 mm² (type 2) are standard. Other cable types or lengths are available on request.

Excess light control

If the switch is detecting an object, but not enough light (excess light) is available at the receiver's sensing face, the LED flashes. As a result, alignment is made much easier. Moreover, eventual dirt on the sensing face is indicated early. Cleaning is therefore possible before proper operation is impaired, thus increasing system viability.

Power-ON reset

Operation of the output is inhibited until the power supply requirements are met. This prevents unwanted switching of the output during power-ON.

Data sheets

Detailed data sheets with additional technical information are available for all models. These may be retrieved from the CONTRINEX website (www.contrinex.com), or ordered cost-free from our sales offices.

Drawings

The mechanical drawings may be downloaded as data files from the CONTRINEX website, and imported directly into construction drawings.

Delivery package

Photoelectric proximity switch, 2 fixing nuts (for size M5), instructions.

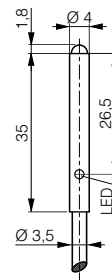
Ø 4

Diffuse sensor, energetic

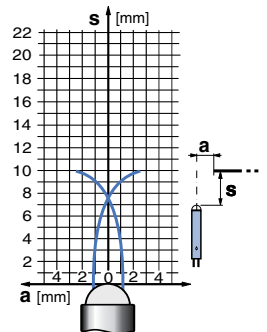
10 mm



Dimensions:







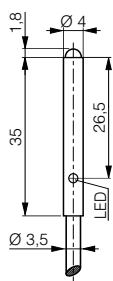
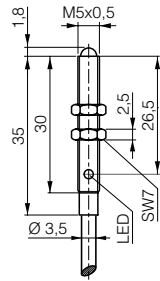
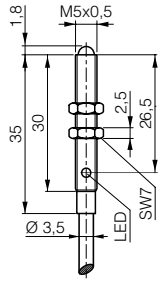
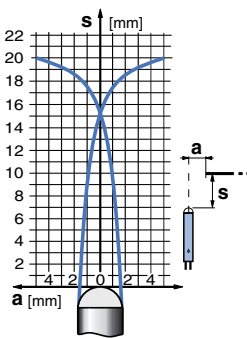
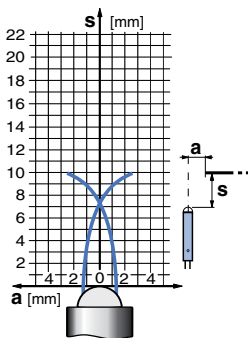
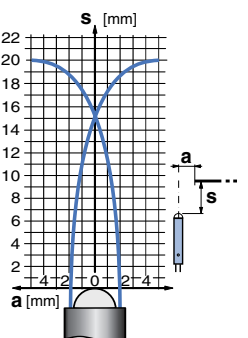


Response curve:



Operating distance	10 mm
Standard target	100 x 100 mm white
No-load supply current	15 mA typ.
Emitter	IR LED 880 nm
Weight	28 g
Part ref.: (bold: preferred types)	
NPN light-ON / cable	LTK-1040-301-505
NPN dark-ON / cable	-
NPN light-ON / connector S8	-
NPN dark-ON / connector S8	-
PNP light-ON / cable	LTK-1040-303-505
PNP dark-ON / cable	-
PNP light-ON / connector S8	-
PNP dark-ON / connector S8	-
Suitable connecting cables (page 112)	-
Wiring (pages 100 - 101)	Diagram 1

WITH CYLINDRICAL LIGHT BEAM

<p style="text-align: center;">Ø 4</p> <p style="text-align: center;">Diffuse sensor, energetic</p> <p style="text-align: center;">20 mm</p>	<p style="text-align: center;">M5</p> <p style="text-align: center;">Diffuse sensor, energetic</p> <p style="text-align: center;">10 mm</p>	<p style="text-align: center;">M5</p> <p style="text-align: center;">Diffuse sensor, energetic</p> <p style="text-align: center;">20 mm</p>	
 	 	 	
			
			
<p style="text-align: center;">20 mm</p>	<p style="text-align: center;">10 mm</p>	<p style="text-align: center;">20 mm</p>	
<p style="text-align: center;">100 x 100 mm white</p>	<p style="text-align: center;">100 x 100 mm white</p>	<p style="text-align: center;">100 x 100 mm white</p>	
<p style="text-align: center;">15 mA typ.</p>	<p style="text-align: center;">15 mA typ.</p>	<p style="text-align: center;">15 mA typ.</p>	
<p style="text-align: center;">IR LED 880 nm</p>	<p style="text-align: center;">IR LED 880 nm</p>	<p style="text-align: center;">IR LED 880 nm</p>	
<p style="text-align: center;">28 g</p>	<p style="text-align: center;">30 g</p>	<p style="text-align: center;">30 g</p>	
<p style="text-align: center;">LTK-1040-301-506</p>	<p style="text-align: center;">LTK-1050-301-505</p>	<p style="text-align: center;">LTK-1050-301-506</p>	
<p style="text-align: center;">-</p>	<p style="text-align: center;">-</p>	<p style="text-align: center;">-</p>	
<p style="text-align: center;">-</p>	<p style="text-align: center;">-</p>	<p style="text-align: center;">-</p>	
<p style="text-align: center;">-</p>	<p style="text-align: center;">-</p>	<p style="text-align: center;">-</p>	
<p style="text-align: center;">LTK-1040-303-506</p>	<p style="text-align: center;">LTK-1050-303-505</p>	<p style="text-align: center;">LTK-1050-303-506</p>	
<p style="text-align: center;">-</p>	<p style="text-align: center;">-</p>	<p style="text-align: center;">-</p>	
<p style="text-align: center;">-</p>	<p style="text-align: center;">-</p>	<p style="text-align: center;">-</p>	
<p style="text-align: center;">-</p>	<p style="text-align: center;">-</p>	<p style="text-align: center;">-</p>	
<p style="text-align: center;">-</p>	<p style="text-align: center;">-</p>	<p style="text-align: center;">-</p>	
<p style="text-align: center;">Diagram 1</p>	<p style="text-align: center;">Diagram 1</p>	<p style="text-align: center;">Diagram 1</p>	

1	Inductive proximity switches
2	Photoelectric proximity switches
3	Optical fibers
4	Connecting cables
5	Accessories
6	Glossary
7	Index