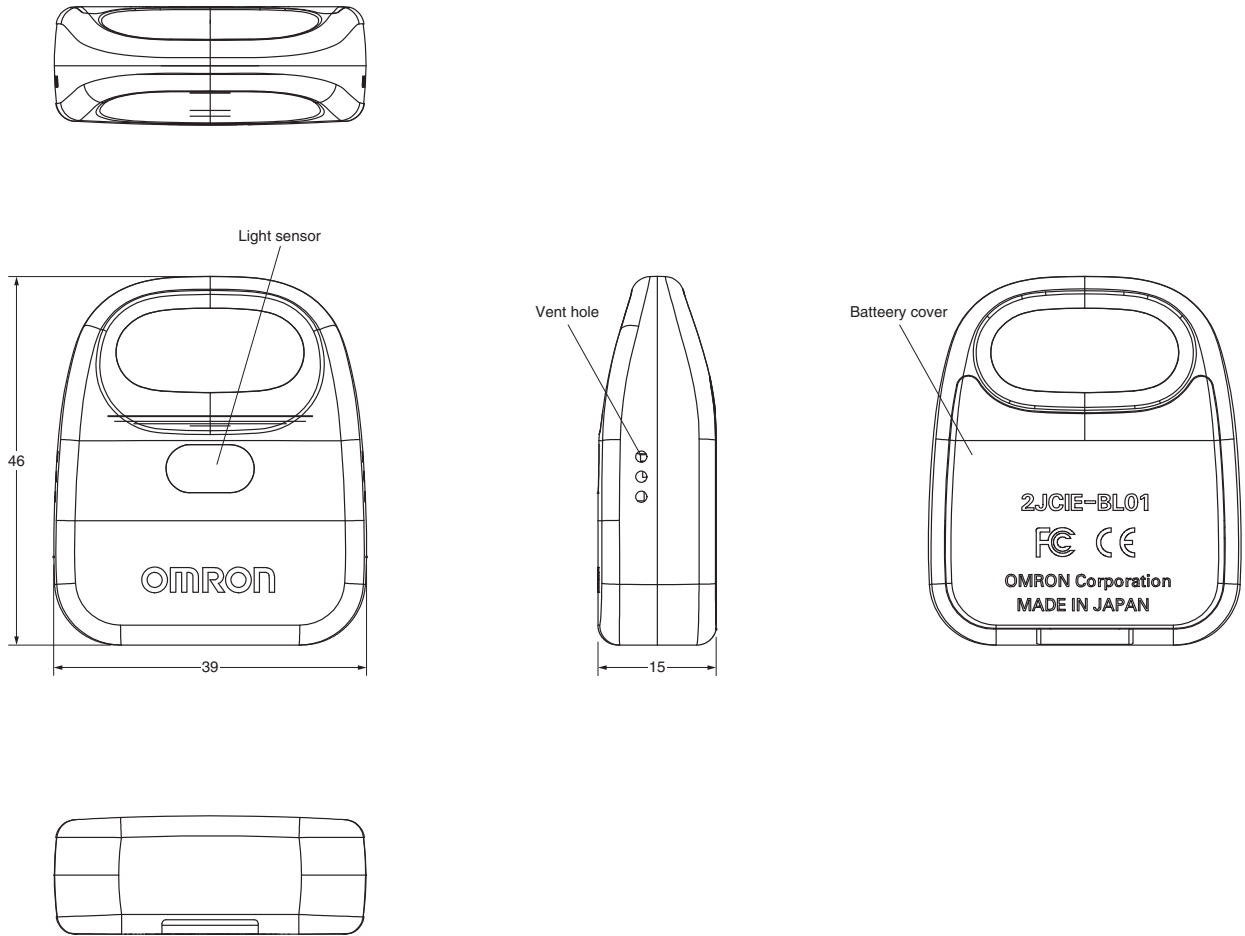
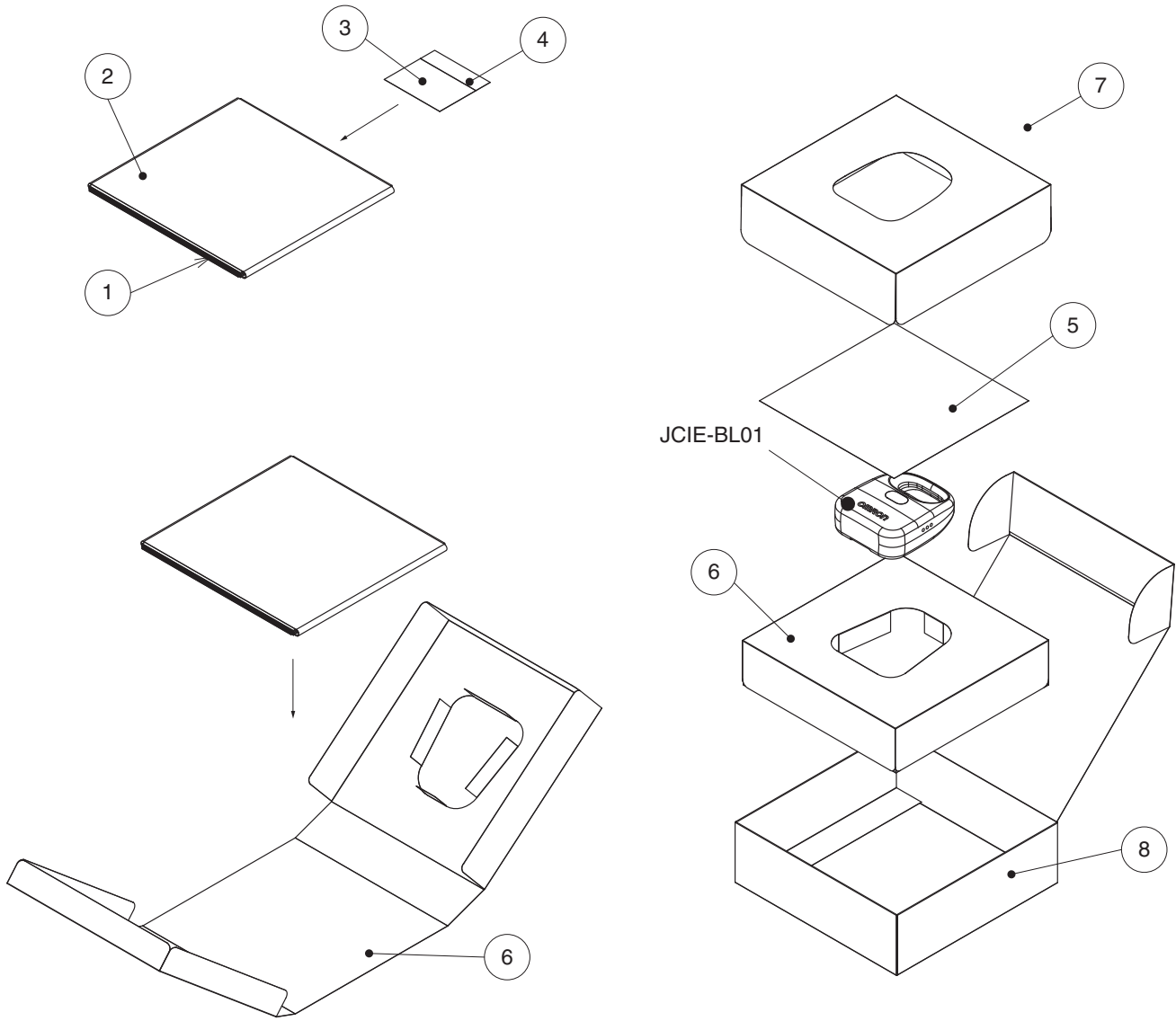


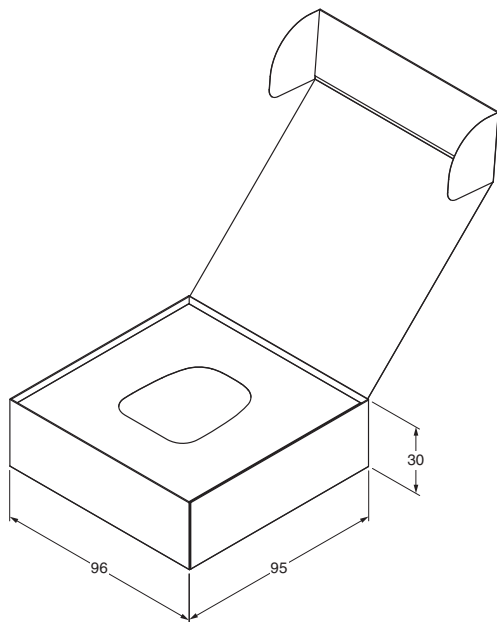
## Dimensions (Unit: mm)



## Packing



2JCIE-BL01



#	Item
1	Instruction manual
2	Manual sleeve
3	Battery (CR2032)
4	Battery bag
5	Protection film
6	Inner box (A)
7	Inner box (B)
8	Outer box