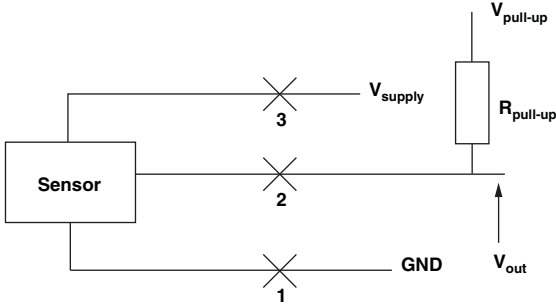


DIAGNOSTIC MODES			
FAILURE	V_{out} ANALOG R _{pull-up}	V_{out} ANALOG R _{pull-down}	V_{out} PWM R _{pull-up} = 1 kΩ V _{pull-up} = V _{supply} = 5 V
1: Broken GND	Diagnostic high area	Diagnostic low area	> 97 % V _{supply} without modulation
2: Broken V _{out}	Diagnostic high area	Diagnostic low area	> 97 % V _{supply} without modulation
3: Broken V _{supply}	Diagnostic high area	Diagnostic low area	> 97 % V _{supply} without modulation
Over voltage V _{supply} > 7 V	Diagnostic high area	Diagnostic low area	> 97 % V _{supply} without modulation
Under voltage V _{supply} < 2.7 V	Diagnostic high area	Diagnostic low area	> 97 % V _{supply} without modulation



V_{pull-up} can be independent to V_{supply}

X Cut off

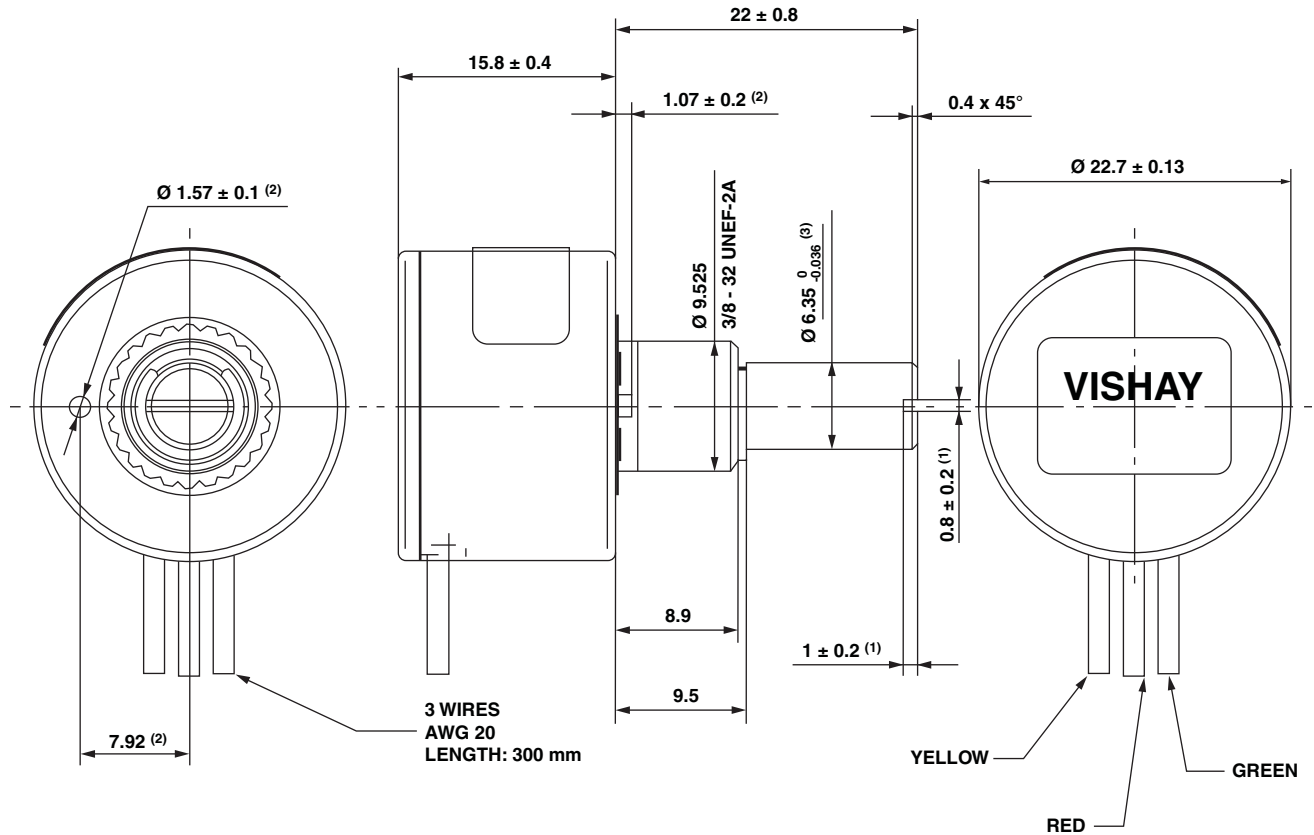
ENVIRONMENTAL SPECIFICATIONS	
Vibrations	20 g from 10 Hz to 2000 Hz
Shocks	3 shocks/axis; 50 g half a sine 11 ms
Operating temperature range	-45 °C; +125 °C
Life	> 10M of cycles
Rotational speed (max.)	120 rpm
Immunity to radiated electromagnetic disturbances	200 V/m 150 kHz/1 GHz
Immunity to power frequency magnetic field	200 A/m 50 Hz/60 Hz
Radiated electromagnetic emissions	30 MHz/1 GHz < 30 dBμV/m
Electrostatic discharges	Contact discharges: ± 4 kV Air discharges: ± 8 kV
MATERIALS	
Housing	Thermoplastic housing
Bushing	Brass nickel plated
Shaft	Stainless steel
Output	3 lead wires
BUSHING MOUNT HARDWARE	
Lockwasher internal tooth	Steel nickel plated
Panel nut	Brass nickel plated

Note

- Nothing stated herein shall be construed as a guarantee of quality or durability.

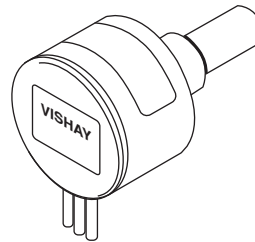
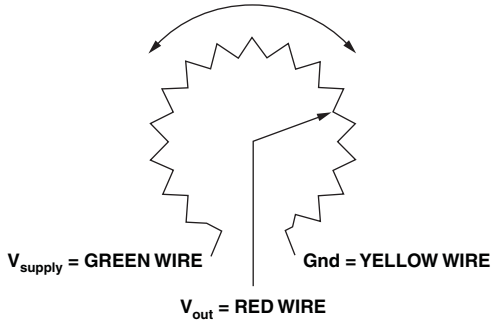


DIMENSIONS in millimeters



**CW OR CCW ACCORDING
OUTPUT MODE CHOICE**

GENERAL TOLERANCE: ± 0.5 mm



VIEWED FROM SHAFT

Notes

- (1) For version slotted shaft
- (2) For version non turn pin
- (3) For shaft type "1"

MARKING	
Unit Identification	Manufacturer's name and complete sap part reference, date code, and wiring correspondance: colors versus connections.