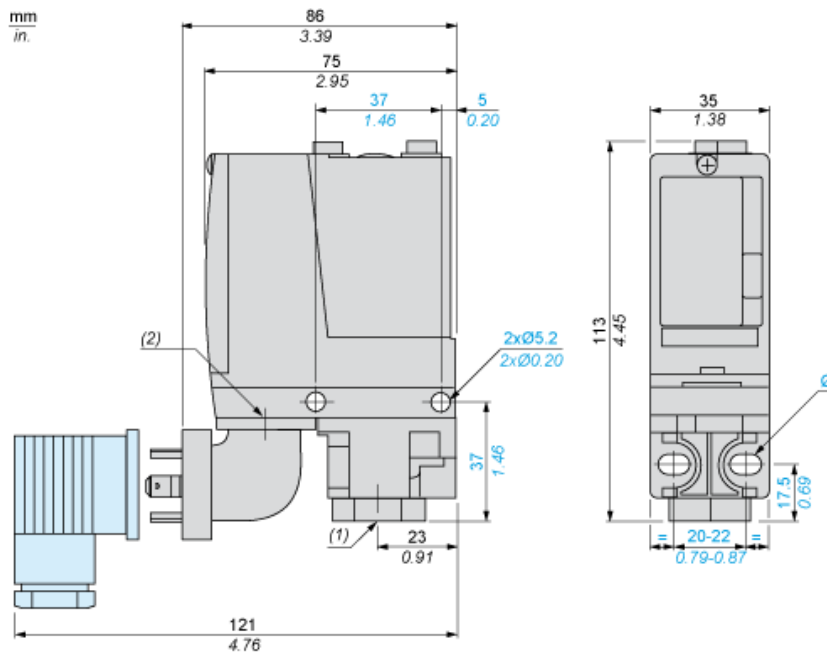


Contractual warranty

Warranty period	18 months
-----------------	-----------

Dimensions



- (1) 1 fluid entry, tapped G1/4 (BSP female)
 (2) EN 175301-803-A connector
 Ø : 2 elongated holes Ø 5.2 x 6.7