

2. Ordering Guide

Table 2.1. Ordering Guide

Family	DFN OPNs	Package	ALS	940 nm Filter	Proximity (# of LED Drivers)	# of LEDs Included
Si1153	Si1153-AA00-GMR	2 x 2 mm DFN	Y		3	0
Si1153	Si1153-AA09-GMR	2 x 2 mm DFN		Y	3	0
Si1153	Si1153-AA9x-GMR	2.85 x 4.9 mm LGA Module		Y	3	1

3. Functional Description

The Si1153 is an active optical reflectance proximity detector, with ambient light sensors whose operational state is controlled through registers accessible through the I2C interface. The host can command the Si1153 to initiate on-demand Ambient Light or proximity measurements. The host can also place the Si1153 in an autonomous operational state where it performs measurements at set intervals and interrupts the host either after each measurement is completed or whenever a set threshold has been crossed. This results in overall system power saving, allowing the host controller to operate longer in its sleep state instead of polling the Si1153.

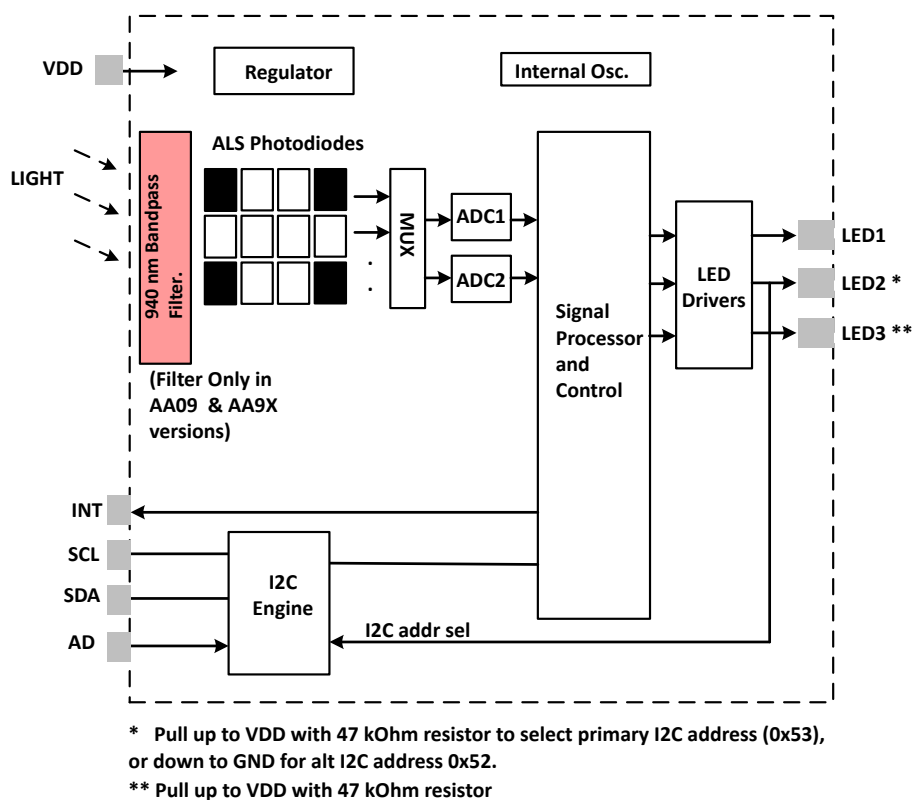


Figure 3.1. Functional Block Diagram

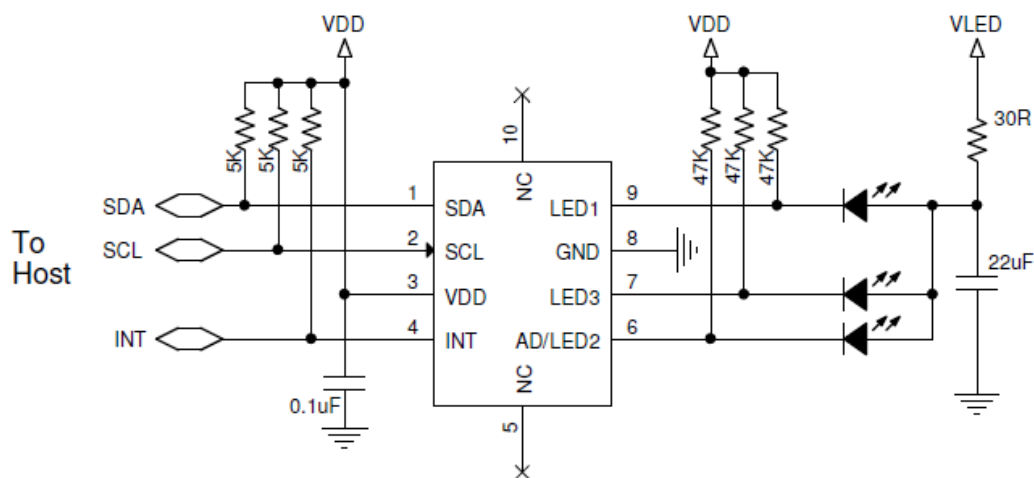


Figure 3.2. Si1153 DFN Package Basic Application