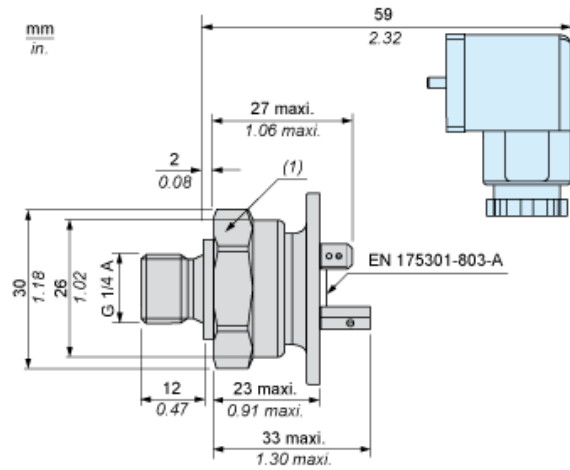


Dimensions



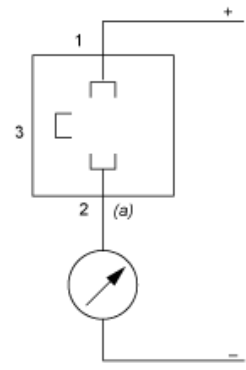
(1) SW27 Tightening torque  $\leq 25$  Nm / 221 Lb-in

---

## Wiring Diagram

---

### 2-Wire Technique (4-20 mA)



(a) I<sub>out</sub>