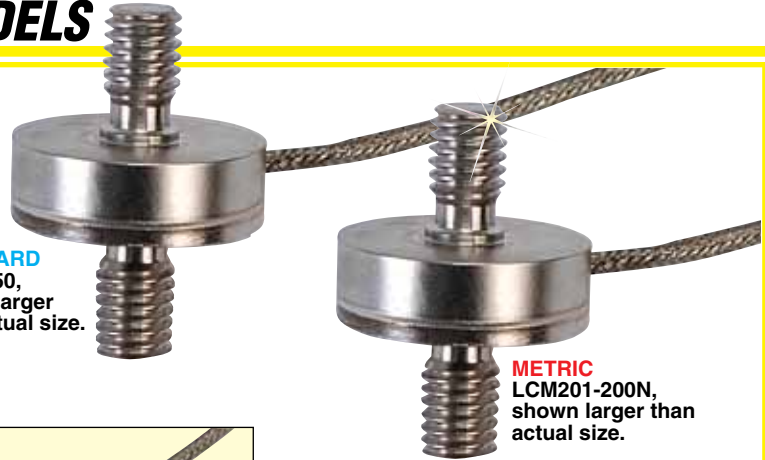


19 mm (0.75") DIAMETER SUBMINIATURE TENSION OR COMPRESSION LOAD CELLS

STANDARD AND METRIC MODELS

**Tension/Compression
Calibrated in Tension**
0-25 lb to 0-300 lb
0-100 to 0-500 N

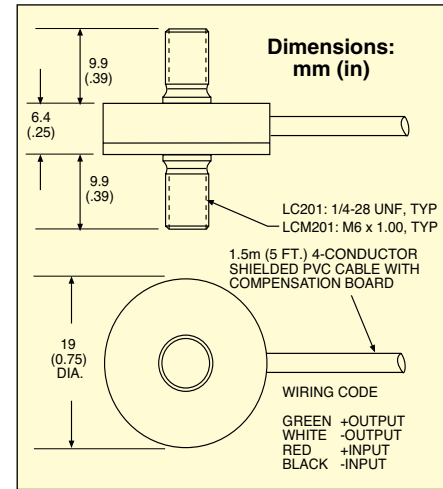
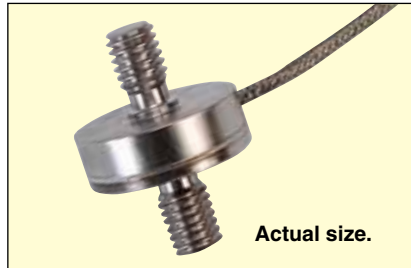
1 Newton = 0.2248 lb
1 daNewton = 10 Newtons
1 lb = 454 g
1 t = 1000 kg = 2204 lb



STANDARD
LC201-50,
shown larger
than actual size.

METRIC
LCM201-200N,
shown larger than
actual size.

LC201/LCM201 Series



- **Subminiature Package for Robotic Applications, 19 mm (0.75") Diameter**
- **Dual Mounting Studs for Easy Installation**
- **5-Point Calibration Provided**

Thermal Effects:
Zero: 0.018% FSO/°C
Span: 0.018% FSO/°C

Safe Overload: 150% of capacity
Ultimate Overload: 300% of capacity
Input Resistance: 360 Ω minimum
Output Resistance: 350 ±10 Ω
Construction: Stainless steel
Electrical: 1.5 m (5') 4-conductor shielded cable with compensation board

OMEGA's LC201/LCM201 Series subminiature load cells are designed for the demanding environment of industrial automation and robotics. With a diameter of only 19 mm (0.75") and all stainless steel construction, they can fit into small systems. They deliver high accuracy and long-term reliability in a subminiature package.

SPECIFICATIONS

Excitation: 10 Vdc, 15 Vdc max
Output: 2 mV/V nominal
Accuracy: ±1.0% FSO linearity, hysteresis, repeatability combined
5-Point Calibration (in Tension): 0%, 50%, 100%, 50%, 0%
Zero Balance: ±2% FSO
Operating Temp Range: -54 to 121°C (-65 to 250°F)
Compensated Temp Range: 16 to 71°C (60 to 160°F)
Protection Class: IP54

STANDARD MODELS

CAPACITY		MODEL NO.	COMPATIBLE METERS	ROD END
lb	N			
25	111	LC201-25	DP41-S, DP25B-S	REC-014F
50	222	LC201-50	DP41-S, DP25B-S	REC-014F
75	334	LC201-75	DP41-S, DP25B-S	REC-014F
100	445	LC201-100	DP41-S, DP25B-S	REC-014F
300	1334	LC201-300	DP41-S, DP25B-S	REC-014F

METRIC MODELS

CAPACITY		MODEL NO.	COMPATIBLE METERS	ROD END
N	lb			
100	22	LCM201-100N	DP41-S, DP25B-S	MREC-M6F
200	45	LCM201-200N	DP41-S, DP25B-S	MREC-M6F
300	67	LCM201-300N	DP41-S, DP25B-S	MREC-M6F
500	112	LCM201-500N	DP41-S, DP25B-S	MREC-M6F

Comes complete with 5-point NIST traceable calibration and 59 kΩ shunt data.
Ordering Examples: LC201-25, 25 lb capacity subminiature universal load cell.
LCM201-500N, 500 N capacity subminiature universal load cell.