

Overview



The DP/AS-Interface Link 20E connects PROFIBUS DP to the AS-Interface. It features the following functions:

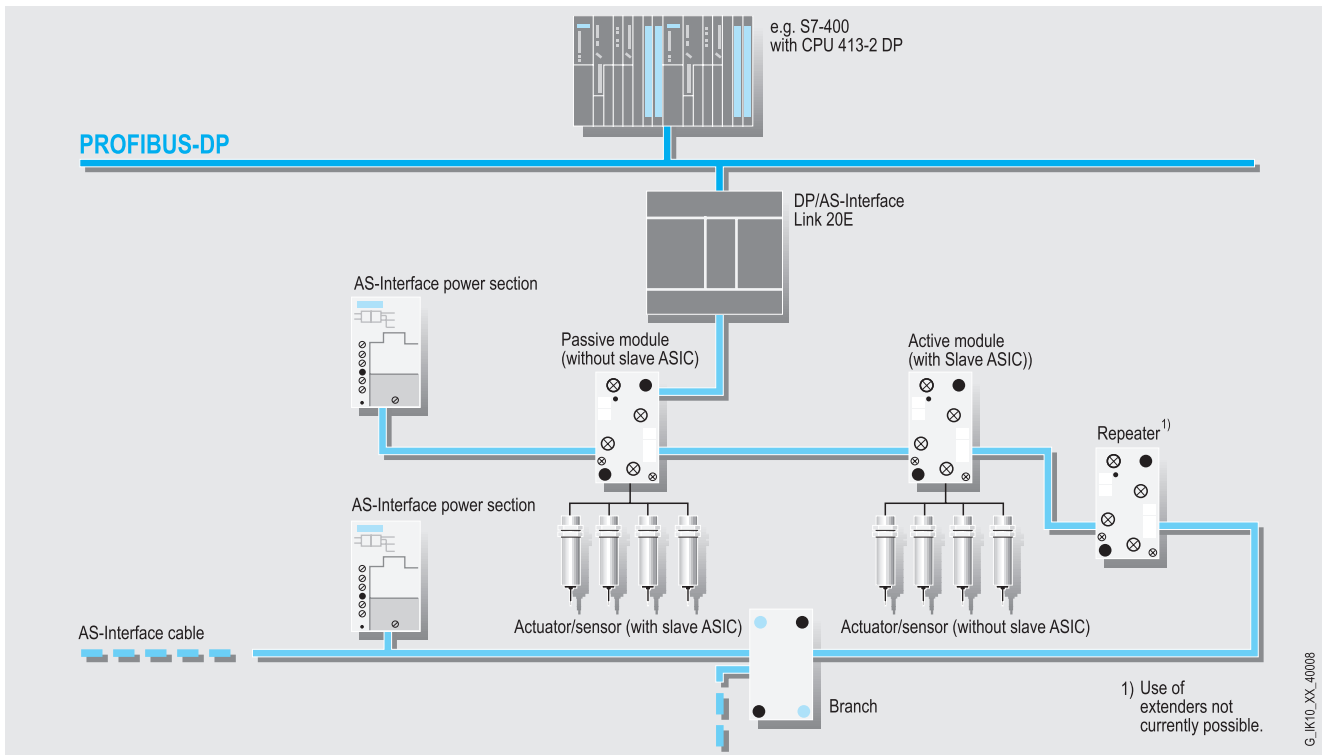
- PROFIBUS DP slave and AS-Interface master
- Connection of up to 62 AS-Interface slaves and integrated analog value transmission (according to expanded AS-Interface Specification V2.1)
- Supports all AS-Interface master functions according to expanded AS-Interface Specification V2.1, i.e. Master class M1e
- Supplied from the AS-Interface cable; which means no additional power supply is required
- Supports uploading of the AS-Interface configuration in STEP 7 V5.2 and higher

Benefits

get Designed for Industry

- Reduction of installation costs, as the power supply is entirely through the AS-i cable so that no additional power supply is required

- Short startup times due to easy configuration at the press of a button
- Shorter standstill or service times in the event of slave failure due to LED display
- Quick and easy start-up due to reading out the AS-Interface configuration (ES03 and higher)



Transition from PROFIBUS DP to AS-Interface through DP/AS-Interface Link 20E

Network Transitions

PROFIBUS – AS-Interface Network Transition

DP/AS-Interface link 20E

Application

The DP/AS-Interface Link 20E is a PROFIBUS DP slave (according to EN 50 170) and AS-Interface master (according to EN 50 295) and enables the AS-Interface to be operated on PROFIBUS DP.

Simple PROFIBUS masters can exchange I/O data cyclically with AS-Interface; masters with acyclic services can exchange I/O data and perform master calls. DP/AS-Interface Link 20E cannot be used in conjunction with the extender.

Design

- Compact housing with degree of protection IP20 for DIN rail mounting
- LEDs in the frontplate for displaying the operating status and operational readiness of all connected and activated slaves
- The PROFIBUS DP address can be set by the simple push of a button
- LED display of PROFIBUS DP slave address, DP bus fault and diagnostics
- Two pushbuttons for switching the operating mode and for setting the existing ACTUAL configuration as SETPOINT configuration
- Power is supplied from the AS-Interface shaped cable

Function

The DP/AS-Interface Link 20E allows a DP master to access all slaves of an AS-Interface segment. According to the expanded specifications (V2.1) a maximum of 62 slaves each with 4 inputs and 3 outputs can now be connected.

By default, the DP/AS-Interface Link 20E occupies 32 byte input and 32 byte output data in the DP master in which the I/O data of the connected AS-Interface slaves are stored. The size of the input/output buffer can be compressed, so that only the memory space of the DP master actually required is occupied.

PROFIBUS DP masters are also able to invoke the AS-Interface master calls through the acyclic PROFIBUS utilities menu (e.g. parametric control, change addresses, read diagnostic values).

Configuration

The DP/AS-Interface Link 20E can be configured at PROFIBUS with STEP 7 or COM PROFIBUS.

Enclosed with the manual are also the type and GSD files, so that it is also possible to carry out configuration with versions that do not yet contain the DP/AS-Interface Link 20E as standard.

Configuration of the AS-Interface segment can be preset either by means of STEP 7 or simply by adopting the ACTUAL configuration. Startup is also possible without PROFIBUS.

For STEP 7 configuration, uploading of the AS-Interface configuration is possible in STEP 7 V5.2 and higher.

Ordering data

Order No.

List Price \$

DP/AS-Interface Link 20E

Network transition between PROFIBUS DP and AS-Interface in degree of protection IP 20

6GK1 415-2AA01

624.00

DP/AS-Interface Link 20E manual

Paper version including type and GSD files

- German
- English
- French
- Spanish
- Italian

6GK1 971-2DS01-0AA0 54.00

6GK1 971-2DS01-0AA1 54.00

6GK1 971-2DS01-0AA2 54.00

6GK1 971-2DS01-0AA3 54.00

6GK1 971-2DS01-0AA4 54.00