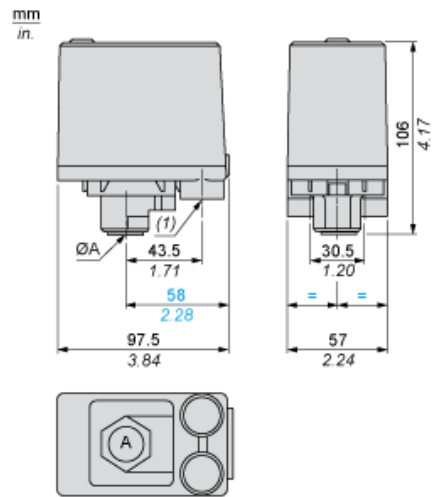


Dimensions

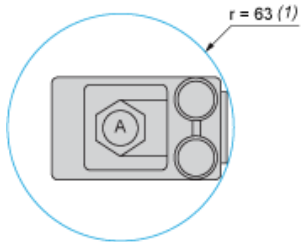
Without Decompression Valve



$\varnothing A = G 1/4$

(1) 2 tapped entries for Pg 13.5

Minimum Mounting Clearance



$\text{ØA} = \text{G}1/4$

(1) Minimum clearance zone for screwing-on pressure switch at point A