

**ELECTRONIC HYGROTHERM**



**APPLICATION**

The Electronic Hygrotherm senses ambient temperature and relative air humidity and adjusts a connected device to maintain temperature and humidity set points.

**FEATURES**

- Temperature (32-140 F) and humidity (50%-90% RH) adjustment
- High switching capacity
- Optical function displays (LED) in each control
- Mounting clip for 35-mm DIN rail
- Change-over contact (relay)
- Connection: 5-pole terminal for AWG 14 max (2.5-mm square). Clamping torque .5 Nm (4.4 in-lbs) maximum.
- Plastic housing UL94V-0
- Vertical mounting
- Operating voltage is AC 100-240 V with maximum switching capacity of 10 A resistive / 1.6 A inductive at AC 240 V

**FINISH**

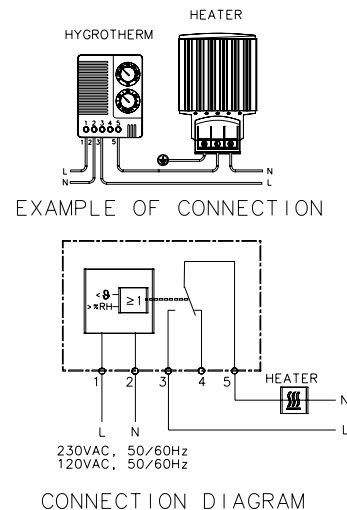
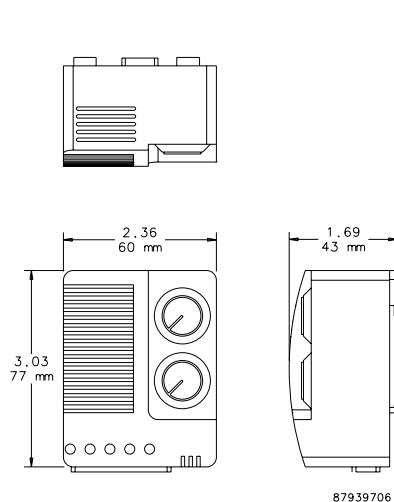
- Light-gray plastic UL94V-0

**INDUSTRY STANDARDS**

cURus; File No. E164102  
CE

Performance Data **Electronic Hygrotherm**

| CATALOG NUMBERS                            |   |
|--|---|
|  | ATEMHUM                                 |
| <b>ELECTRICAL DATA</b>                     |   |
| Hysteresis                                 | ~ 3.6 F (2K) ± 1.8 F (1K) tolerance     |
| Humidity Set Point (adjustable)            | 50-90% RH                               |
| Temperature Set Point (adjustable) (°F/°C) | 32/0 to 140/60                          |
| Operating Temperature Range (°F/°C)        | -40 to 140/-40 to 60                    |
| Storage Temperature (°F/°C)                | -40 to 140/-40 to 60                    |
| <b>CONTACTS</b>                            |   |
| 3 and 5                                    |   |
| Close at...                                | humidity rise or temperature drop       |
| Open at...                                 | humidity drop or temperature rise       |
| Use for...                                 | heaters, dehumidifiers, low-temp alarms |
| 4 and 5                                    |   |
| Close at...                                | humidity drop or temperature rise       |
| Open at...                                 | humidity rise or temperature drop       |
| Use for...                                 | cooling, humidifiers, high-temp alarms  |
| <b>UNIT CONSTRUCTION</b>                   |   |
| Unit Dimensions - H x W x D (in./mm)       | 3.03/77 x 2.36/60 x 1.69/43             |



## MECHANICAL HYGROSTAT



### INDUSTRY STANDARDS

cURus; File No. E164102

CE

### APPLICATION

The Mechanical Hygrostat controls relative air humidity inside an enclosure to prevent condensation and corrosion that can damage components. It can also be connected to an enclosure heater, cooling fans, warning lights or other devices.

*The critical relative humidity (RH) level for most components is 65 percent. Above 65 percent RH, condensation can form and cause electrical equipment to malfunction.*

### FEATURES

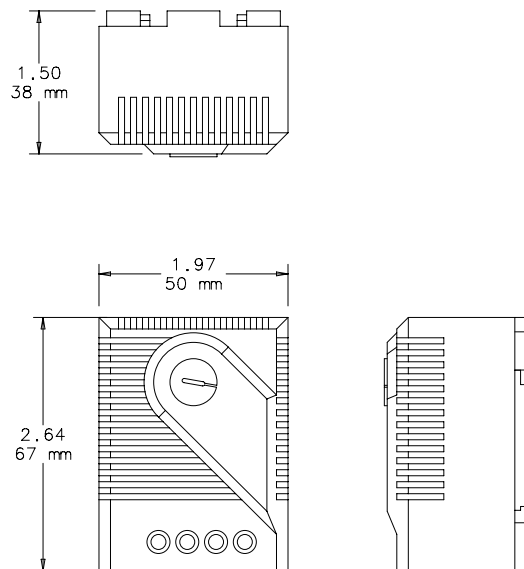
- Adjustable relative humidity range
- High switching capacity
- Long service life (>100,000 cycles)
- Maximum permissible air velocity of 50 ft./sec. (15 m/s)
- Maximum switching voltage = 250 VAC  
*250 V should be switched only in a non-condensing environment*
- Change-over contact
- Mounting clip for 35-mm DIN rail
- Connection: 3-pole terminal for AWG 14 max. (2.5-mm squared)
- Contact resistance less than 10 mΩ

### FINISH

- Light-gray plastic, UL94V-0

### Performance Data Mechanical Hygrostat

| CATALOG NUMBERS                            |   |
|--|---|
|  | AMHUM   |
| ELECTRICAL DATA                            |   |
| Switching Capacity (Minimum)               | 100mA @ AC/DC 20 V  |
| Switching Capacity (Maximum)               | 5A @ AC 250 V (resistive load)<br>0.2A @ AC 250 V (inductive load at cos 0 = 0.8)<br>DC 20W |
| Operating Temperature (Adjustable) (°F/°C) | 32/0 to 140/60  |
| Storage Temperature (°F/°C)                | -40/-40 to 140/60   |
| UNIT CONSTRUCTION                          |   |
| Unit Dimensions - H x W x D (in./mm)       | 2.64/67 x 1.97/50 x 1.5/38  |
| Weight (oz/g)                              | 2/60  |



87921430