

# TLP251

- Inverter For Air Conditioner
- Induction Heating
- Transistor Inverter
- Power MOS FET Gate Drive
- IGBT Gate Drive

The TOSHIBA TLP251 consists of a GaAlAs light emitting diode and a integrated photodetector.

This unit is 8-lead DIP package.

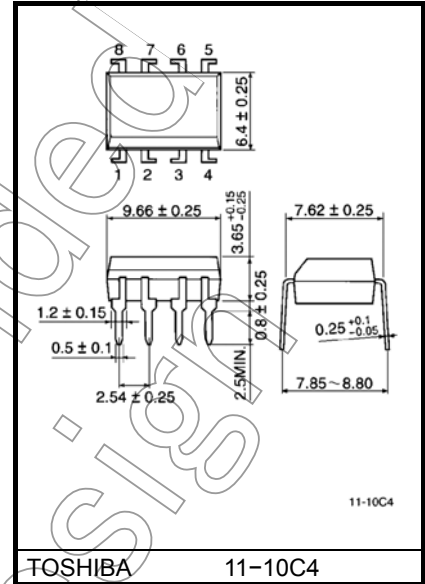
TLP251 is suitable for gate driving circuit of IGBT or power MOS FET. Especially TLP251 is capable of "direct" gate drive of lower power IGBTs. (~15A)

- Input threshold current:  $I_F=5\text{mA}(\text{max.})$
  - Supply current ( $I_{CC}$ ):  $11\text{mA}(\text{max.})$
  - Supply voltage ( $V_{CC}$ ):  $10\sim 35\text{V}$
  - Output current ( $I_O$ ):  $\pm 0.4\text{A}(\text{max.})$
  - Switching time ( $t_{pLH} / t_{pHL}$ ):  $1\mu\text{s}(\text{max.})$
  - Isolation voltage:  $2500\text{Vrms}(\text{min.})$
  - UL recognized: UL1577, file no.E67349
  - Option(D4)
    - VDE Approved : DIN EN60747-5-2
    - Maximum Operating Insulation Voltage :  $890\text{V}_{PK}$
    - Highest Permissible Over Voltage :  $4000\text{V}_{PK}$
- (Note):When a EN60747-5-2 approved type is needed,  
Please designate "Option(D4)"

### Truth Table

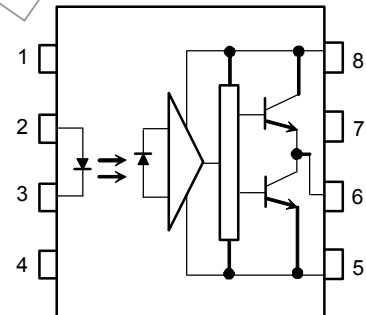
		Tr1	Tr2
		Input LED	On
	On	On	Off
	Off	Off	On

Unit in mm



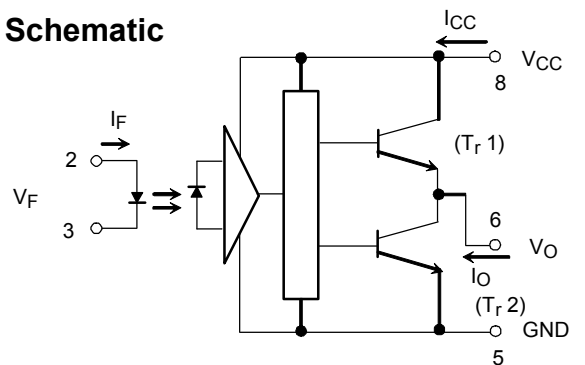
Weight: 0.54 g (typ.)

### Pin Configuration (top view)



- 1 : N.C.
- 2 : Anode
- 3 : Cathode
- 4 : N.C.
- 5 : GND
- 6 :  $V_O$  (Output)
- 7 : N.C.
- 8 :  $V_{CC}$

### Schematic



A 0.1 $\mu\text{F}$  bypass capacitor must be connected between pin 8 and 5(see Note 5).

## Absolute Maximum Ratings (Ta = 25°C)

Characteristic		Symbol	Rating	Unit	
LED	Forward current	$I_F$	20	mA	
	Forward current derating (Ta ≥ 70°C)	$\Delta I_F / \Delta T_a$	-0.36	mA / °C	
	Peak transient forward current (Note 1)	$I_{FPT}$	1	A	
	Reverse voltage	$V_R$	5	V	
	Junction temperature	$T_j$	125	°C	
Detector	“H” peak output current (PW ≤ 2.0μs, f ≤ 15kHz) (Note 2)		$I_{OPH}$	-0.4	A
	“L” peak output current (PW ≤ 2.0μs, f ≤ 15kHz) (Note 2)		$I_{OPL}$	0.4	A
	Output voltage	(Ta ≤ 70°C)	$V_O$	35	V
		(Ta = 85°C)		24	
	Supply voltage	(Ta ≤ 70°C)	$V_{CC}$	35	V
		(Ta = 85°C)		24	
	Output voltage derating (Ta ≥ 70°C)		$\Delta V_O / \Delta T_a$	-0.73	V / °C
	Supply voltage derating (Ta ≥ 70°C)		$\Delta V_{CC} / \Delta T_a$	-0.73	V / °C
	Junction temperature		$T_j$	125	°C
	Operating frequency (Note 3)		f	25	kHz
Operating temperature range		$T_{opr}$	-20~85	°C	
Storage temperature range		$T_{stg}$	-55~125	°C	
Lead soldering temperature(10s)		$T_{sol}$	260	°C	
Isolation voltage (AC, 1min., R.H. ≤ 60%) (Note 4)		$BV_S$	2500	Vrms	

Note: Using continuously under heavy loads (e.g. the application of high temperature/current/voltage and the significant change in temperature, etc.) may cause this product to decrease in the reliability significantly even if the operating conditions (i.e. operating temperature/current/voltage, etc.) are within the absolute maximum ratings.

Please design the appropriate reliability upon reviewing the Toshiba Semiconductor Reliability Handbook (“Handling Precautions”/“Derating Concept and Methods”) and individual reliability data (i.e. reliability test report and estimated failure rate, etc).

Note 1: Pulse width  $P_W \leq 1\mu s$ , 300pps

Note 2: Exponential waveform

Note 3: Exponential waveform,  $I_{OPH} \leq -0.25A (\leq 2.0\mu s)$ ,  $I_{OPL} \leq +0.25A (\leq 2.0\mu s)$

Note 4: Device considered a two terminal device: Pins 1, 2, 3 and 4 shorted together, and pins 5, 6, 7 and 8 shorted together.

Note 5: A ceramic capacitor(0.1μF)should be connected from pin 8 to pin 5 to stabilize the operation of the high gain linear amplifier. Failure to provide the bypassing may impair the switching property.The total lead length between capacitor and coupler should not exceed 1cm.

## Recommended Operating Conditions

Characteristic	Symbol	Min.	Typ.	Max.	Unit
Input current, on (Note6)	$I_{F(ON)}$	7	8	10	mA
Input voltage, off	$V_{F(OFF)}$	0	—	0.8	V
Supply voltage	$V_{CC}$	10	—	30   20	V
Peak output current	$I_{OPH} / I_{OPL}$	—	—	$\pm 0.1$	A
Operating temperature	$T_{opr}$	-20	25	70   85	°C

Note: Recommended operating conditions are given as a design guideline to obtain expected performance of the device. Additionally, each item is an independent guideline respectively. In developing designs using this product, please confirm specified characteristics shown in this document.

Note 6: Input signal rise time(fall time) $< 0.5\mu s$ .

## Electrical Characteristics ( $T_a = -20\sim 70^\circ C$ , unless otherwise specified)

Characteristic		Symbol	Test Circuit	Test Condition	Min.	Typ.*	Max.	Unit
Input forward voltage		$V_F$	—	$I_F = 10\text{ mA}, T_a = 25^\circ C$	—	1.6	1.8	V
Temperature coefficient of forward voltage		$\Delta V_F / \Delta T_a$	—	$I_F = 10\text{ mA}$	—	-2.0	—	mV / °C
Input reverse current		$I_R$	—	$V_R = 5V, T_a = 25^\circ C$	—	—	10	$\mu A$
Input capacitance		$C_T$	—	$V = 0, f = 1\text{ MHz}, T_a = 25^\circ C$	—	45	250	pF
Output current	"H" level	$I_{OPH}$	1	$V_{CC} = 30V$ (*1) $I_F = 10\text{ mA}$ $V_{8-6} = 4V$	-0.1	-0.25	—	A
	"L" level	$I_{OPL}$	2		$I_F = 0$ $V_{6-5} = 2.5V$	0.1	0.2	
Output voltage	"H" level	$V_{OH}$	3	$V_{CC1} = +15V, V_{EE1} = -15V$ $R_L = 200\Omega, I_F = 5\text{ mA}$	11	13.2	—	V
	"L" level	$V_{OL}$	4	$V_{CC1} = +15V, V_{EE1} = -15V$ $R_L = 200\Omega, V_F = 0.8V$	—	-14.5	-12.5	
Supply current	"H" level	$I_{CCH}$	—	$V_{CC} = 30V, I_F = 10\text{ mA}$ $T_a = 25^\circ C$	—	7.5	—	mA
	"L" level	$I_{CCL}$	—	$V_{CC} = 30V, I_F = 10\text{ mA}$	—	—	11	
				$V_{CC} = 30V, I_F = 0\text{ mA}$ $T_a = 25^\circ C$	—	8	—	
Threshold input current	"Output L $\rightarrow$ H"	$I_{FLH}$	—	$V_{CC1} = +15V, V_{EE1} = -15V$ $R_L = 200\Omega, V_O > 0V$	—	1.2	5	mA
	"Output H $\rightarrow$ L"	$V_{FHL}$	—	$V_{CC1} = +15V, V_{EE1} = -15V$ $R_L = 200\Omega, V_O < 0V$	0.8	—	—	
Supply voltage		$V_{CC}$	—		10	—	35	V
Capacitance (input-output)		$C_s$	—	$V_s = 0, f = 1\text{ MHz}$ $T_a = 25^\circ C$	—	1.0	2.0	pF
Resistance (input-output)		$R_s$	—	$V_s = 500V, T_a = 25^\circ C$ $R.H. \leq 60\%$	$1 \times 10^{12}$	$10^{14}$	—	$\Omega$

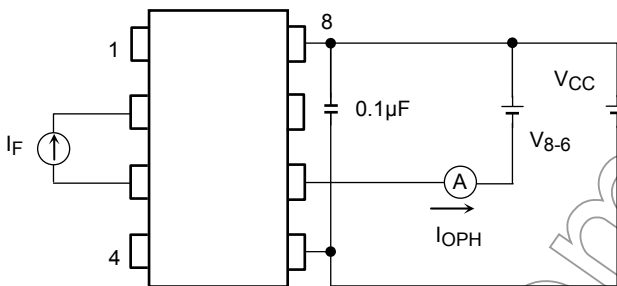
\* All typical values are at  $T_a = 25^\circ C$  (\*1): Duration of  $I_O$  time  $\leq 50\mu s$

## Switching Characteristics (Ta = -20~70°C, unless otherwise specified)

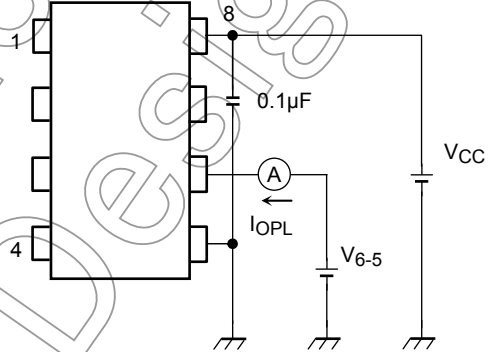
Characteristic		Symbol	Test Circuit	Test Condition	Min.	Typ.*	Max.	Unit			
Propagation delay time	L→H	$t_{pLH}$	5	$I_F = 8\text{mA}$ $V_{CC1} = +15\text{V}, V_{EE1} = -15\text{V}$ $R_L = 200\ \Omega$	—	0.25	1.0	$\mu\text{s}$			
	H→L	$t_{pHL}$			—	0.25	1.0				
Output rise time		$t_r$					—		—	—	
Output fall time		$t_f$					—		—	—	
Common mode transient immunity at high level output		$C_{MH}$	6	$V_{CM} = 600\text{V}, I_F = 8\text{mA},$ $V_{CC} = 30\text{V}, T_a = 25^\circ\text{C}$	-5000	—	—	$\text{V} / \mu\text{s}$			
Common mode transient immunity at low level output		$C_{ML}$			5000	—	—	$\text{V} / \mu\text{s}$			

\*All typical values are at Ta=25°C

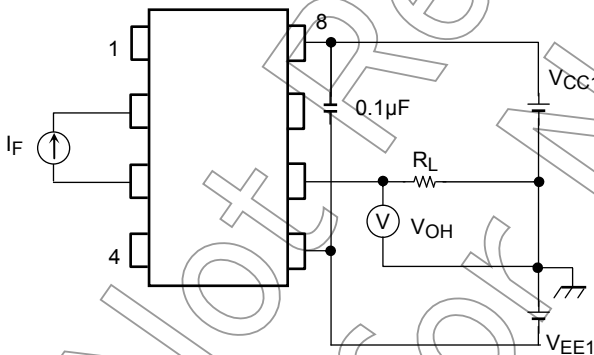
Test Circuit 1 : I<sub>OPH</sub>



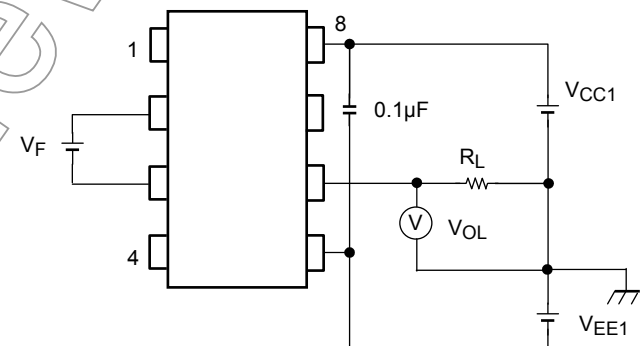
Test Circuit 2 : I<sub>OPL</sub>



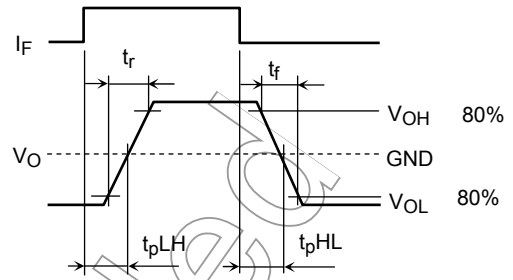
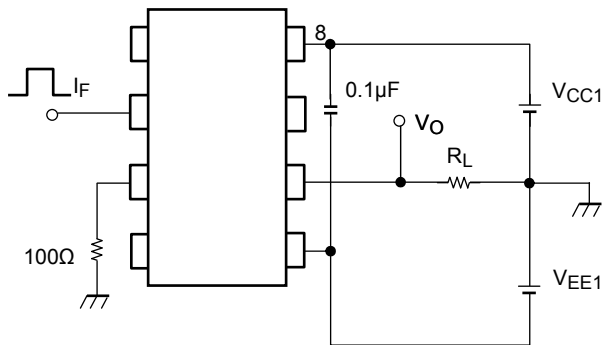
Test Circuit 3 : V<sub>OH</sub>



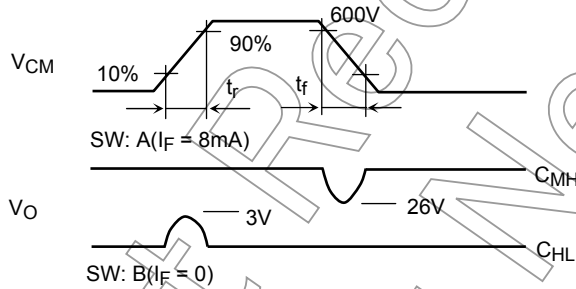
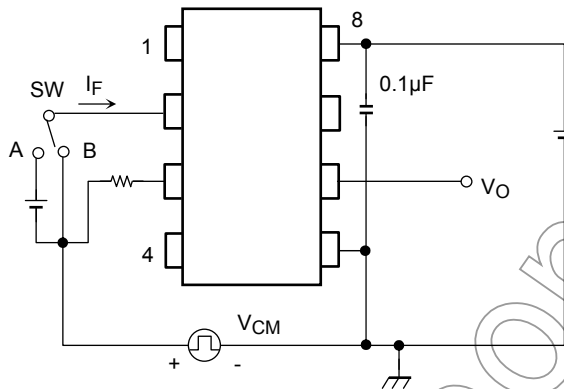
Test Circuit 4 : V<sub>OL</sub>



**Test Circuit 5:  $t_{pLH}$ ,  $t_{pHL}$ ,  $t_r$ ,  $t_f$**



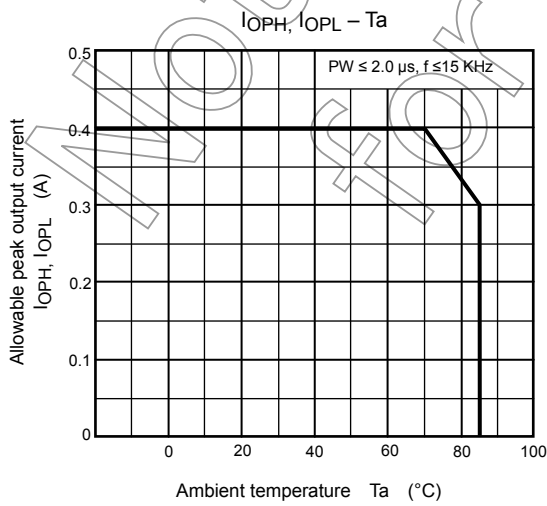
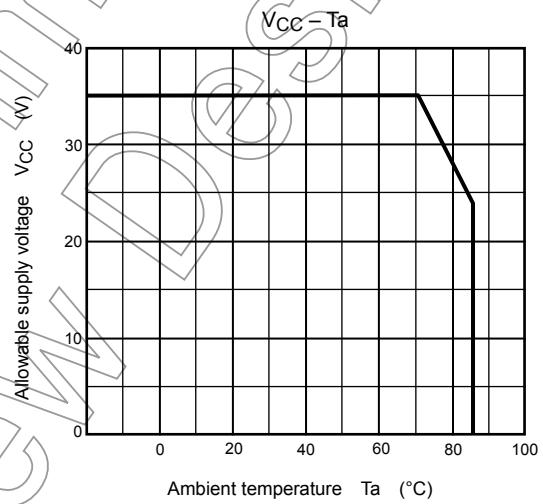
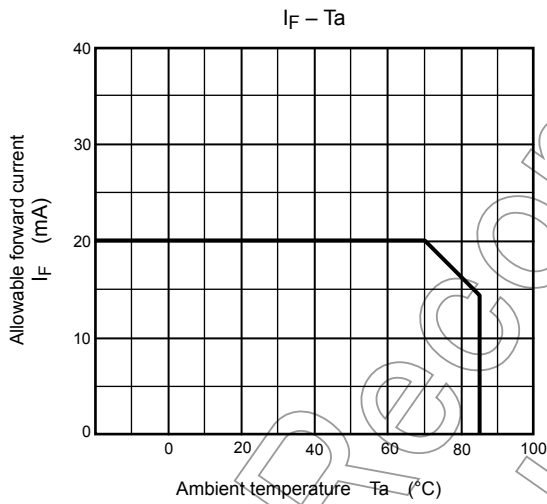
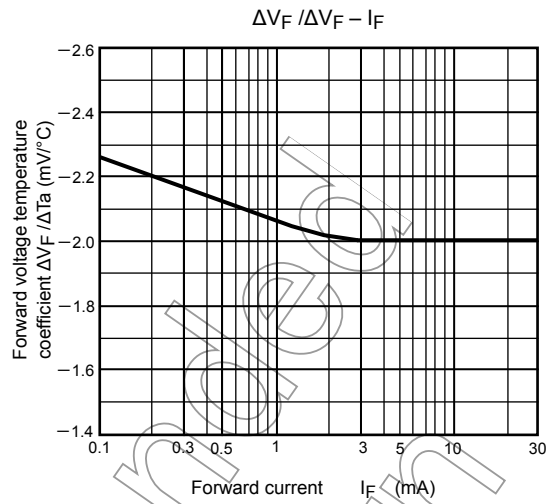
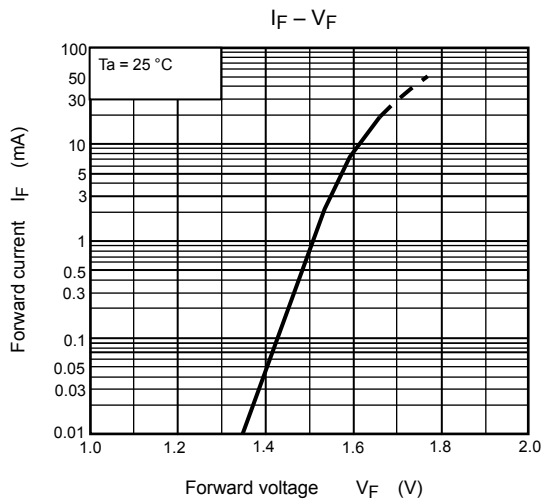
**Test Circuit 6:  $C_{MH}$ ,  $C_{ML}$**



$$C_{ML} = \frac{480(V)}{t_r(\mu s)}$$

$$C_{MH} = \frac{480(V)}{t_f(\mu s)}$$

$C_{ML}$  ( $C_{MH}$ ) is the maximum rate of rise (fall) of the common mode voltage that can be sustained with the output voltage in the low (high) state.



## RESTRICTIONS ON PRODUCT USE

- Toshiba Corporation, and its subsidiaries and affiliates (collectively "TOSHIBA"), reserve the right to make changes to the information in this document, and related hardware, software and systems (collectively "Product") without notice.
- This document and any information herein may not be reproduced without prior written permission from TOSHIBA. Even with TOSHIBA's written permission, reproduction is permissible only if reproduction is without alteration/omission.
- Though TOSHIBA works continually to improve Product's quality and reliability, Product can malfunction or fail. Customers are responsible for complying with safety standards and for providing adequate designs and safeguards for their hardware, software and systems which minimize risk and avoid situations in which a malfunction or failure of Product could cause loss of human life, bodily injury or damage to property, including data loss or corruption. Before creating and producing designs and using, customers must also refer to and comply with (a) the latest versions of all relevant TOSHIBA information, including without limitation, this document, the specifications, the data sheets and application notes for Product and the precautions and conditions set forth in the "TOSHIBA Semiconductor Reliability Handbook" and (b) the instructions for the application that Product will be used with or for. Customers are solely responsible for all aspects of their own product design or applications, including but not limited to (a) determining the appropriateness of the use of this Product in such design or applications; (b) evaluating and determining the applicability of any information contained in this document, or in charts, diagrams, programs, algorithms, sample application circuits, or any other referenced documents; and (c) validating all operating parameters for such designs and applications. **TOSHIBA ASSUMES NO LIABILITY FOR CUSTOMERS' PRODUCT DESIGN OR APPLICATIONS.**
- Product is intended for use in general electronics applications (e.g., computers, personal equipment, office equipment, measuring equipment, industrial robots and home electronics appliances) or for specific applications as expressly stated in this document. Product is neither intended nor warranted for use in equipment or systems that require extraordinarily high levels of quality and/or reliability and/or a malfunction or failure of which may cause loss of human life, bodily injury, serious property damage or serious public impact ("Unintended Use"). Unintended Use includes, without limitation, equipment used in nuclear facilities, equipment used in the aerospace industry, medical equipment, equipment used for automobiles, trains, ships and other transportation, traffic signaling equipment, equipment used to control combustions or explosions, safety devices, elevators and escalators, devices related to electric power, and equipment used in finance-related fields. Do not use Product for Unintended Use unless specifically permitted in this document.
- Do not disassemble, analyze, reverse-engineer, alter, modify, translate or copy Product, whether in whole or in part.
- Product shall not be used for or incorporated into any products or systems whose manufacture, use, or sale is prohibited under any applicable laws or regulations.
- The information contained herein is presented only as guidance for Product use. No responsibility is assumed by TOSHIBA for any infringement of patents or any other intellectual property rights of third parties that may result from the use of Product. No license to any intellectual property right is granted by this document, whether express or implied, by estoppel or otherwise.
- **ABSENT A WRITTEN SIGNED AGREEMENT, EXCEPT AS PROVIDED IN THE RELEVANT TERMS AND CONDITIONS OF SALE FOR PRODUCT, AND TO THE MAXIMUM EXTENT ALLOWABLE BY LAW, TOSHIBA (1) ASSUMES NO LIABILITY WHATSOEVER, INCLUDING WITHOUT LIMITATION, INDIRECT, CONSEQUENTIAL, SPECIAL, OR INCIDENTAL DAMAGES OR LOSS, INCLUDING WITHOUT LIMITATION, LOSS OF PROFITS, LOSS OF OPPORTUNITIES, BUSINESS INTERRUPTION AND LOSS OF DATA, AND (2) DISCLAIMS ANY AND ALL EXPRESS OR IMPLIED WARRANTIES AND CONDITIONS RELATED TO SALE, USE OF PRODUCT, OR INFORMATION, INCLUDING WARRANTIES OR CONDITIONS OF MERCHANTABILITY, FITNESS FOR A PARTICULAR PURPOSE, ACCURACY OF INFORMATION, OR NONINFRINGEMENT.**
- GaAs (Gallium Arsenide) is used in Product. GaAs is harmful to humans if consumed or absorbed, whether in the form of dust or vapor. Handle with care and do not break, cut, crush, grind, dissolve chemically or otherwise expose GaAs in Product.
- Do not use or otherwise make available Product or related software or technology for any military purposes, including without limitation, for the design, development, use, stockpiling or manufacturing of nuclear, chemical, or biological weapons or missile technology products (mass destruction weapons). Product and related software and technology may be controlled under the Japanese Foreign Exchange and Foreign Trade Law and the U.S. Export Administration Regulations. Export and re-export of Product or related software or technology are strictly prohibited except in compliance with all applicable export laws and regulations.
- Please contact your TOSHIBA sales representative for details as to environmental matters such as the RoHS compatibility of Product. Please use Product in compliance with all applicable laws and regulations that regulate the inclusion or use of controlled substances, including without limitation, the EU RoHS Directive. TOSHIBA assumes no liability for damages or losses occurring as a result of noncompliance with applicable laws and regulations.