

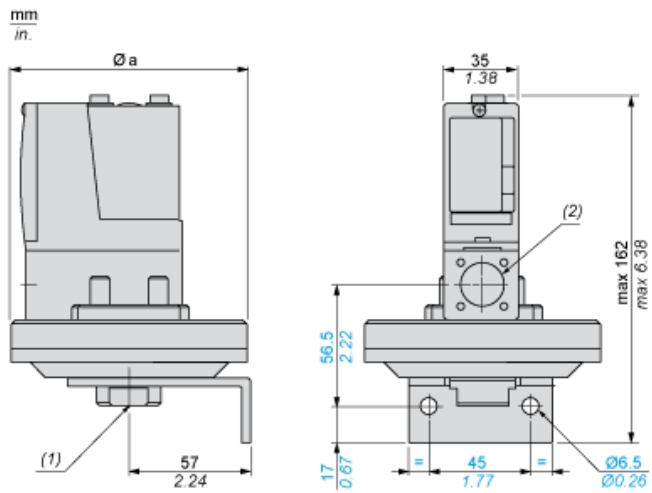
## Contractual warranty

---

Warranty period	18 months
-----------------	-----------

---

Dimensions



$\varnothing a =$  110 mm / 4.33 in.

(1) 1 fluid entry, tapped G1/4 (BSP female)

(2) 1 electrical connections entry, tapped M20 x 1.5