


List of Models


Safety Multi beam Sensors

F3S-TGR-SB2-K□C Mirror Reflection Type (Type 2)

Shape	Number of optical axes	Sensing Distance	Beam Pitch	Model
	2	<input type="text"/> 0.5 to 6 m	500	F3S-TGR-SB2-K2C-500(MTL)*
	3	<input type="text"/> 0.5 to 5 m	400	F3S-TGR-SB2-K3C-800(MTL)*
	4		300	F3S-TGR-SB2-K4C-900(MTL)*

*. If you want to have a ONE WAY direction Type, (see Page D-26) Please add the MTL behind of Model Name. Ex. F3S-TGR-SB4-K2C-500MTL



F3S-TGR-SB4-K□C Mirror Reflection Type (Type 4)

Shape	Number of optical axes	Sensing Distance	Beam Pitch	Model
	2	<input type="text"/> 0.5 to 6 m	500	F3S-TGR-SB4-K2C-500(MTL)*
	3	<input type="text"/> 0.5 to 5 m	400	F3S-TGR-SB4-K3C-800(MTL)*
	4		300	F3S-TGR-SB4-K4C-900(MTL)*

*. If you want to have a ONE WAY direction Type, (see Page D-26) Please add the MTL behind of Model Name. Ex. F3S-TGR-SB4-K2C-500MTL



Muting Connecting Box (Order Separately)

Flexible Connecting Box



Appearance	SLC Connection Type	Other connection	Model
	M12 8pin connector without cable	4 x Muting sensor connection (4pin) 1 x Muting Lamp M12 (4pin) 1 x Override/Test input M12 (4pin) 1 x cabinet connection M12 (8pin)	F39-TGR-SB-CMB1
	M12 8pin connector with 100 mm cable		F39-TGR-SB-CMB2

Accessories (Order Separately)

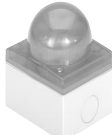
Connector Cable

Appearance	Cable length	Specification	Model
	2 m	M12 connector (8pin Socket) For cabinet connection (From F3S-TGR-SB□-K□C or F3S-TGR-SB-CMB□)	F39-TGR-SB4-CVLB2R
	5 m		F39-TGR-SB4-CVLB5R
	10 m		F39-TGR-SB4-CVLB10R
	2 m	M12 connector (4pin Plug) For Muting sensor, Muting Lamp connection and Override/Test connection	F39-TGR-SB4-CVLB2MC


Connector Plug Assemblies, Screw-on Type

Appearance	Cable connection direction	Specification	Connection method	Applicable cable diameter	Model
	Straight	DC only 4pin Plug	Screw-on	3 dia. (3 to 4 dia.)	XS2G-D4S5
	Right angle				XS2G-D4S6


Muting Lamp

Appearance	Specification	Model
	24 V DC	F39-A11

Bulb for Maintenance

Appearance	Specification	Model
	24 V DC 3 W E14	F39-A11MB

Laser alignment Kit

Appearance	Model
	F39-LKK2-SB