

# Temperature measuring transducer - MACX PL-T-UIREL-UP - 2904901

## Technical data

### General

Electrical isolation	375 V (Peak value in accordance with EN 60079-11)
Conformance	CE-compliant
ATEX	# II 3 G Ex nA nC ic IIC T4 Gc X
IECEX	Ex nA nC ic IIC T4 Gc X
UL, USA/Canada	UL 508 Listed
	Class I, Div. 2, Groups A, B, C, D T6
	Class I, Zone 2, Group IIC T6
SIL	2

### Standards and Regulations

Electromagnetic compatibility	Conformance with EMC directive
Electrical isolation	4-way, between input/output/power supply/switching output
Conformance	CE-compliant
ATEX	# II 3 G Ex nA nC ic IIC T4 Gc X
IECEX	Ex nA nC ic IIC T4 Gc X
UL, USA/Canada	UL 508 Listed
	Class I, Div. 2, Groups A, B, C, D T6
	Class I, Zone 2, Group IIC T6

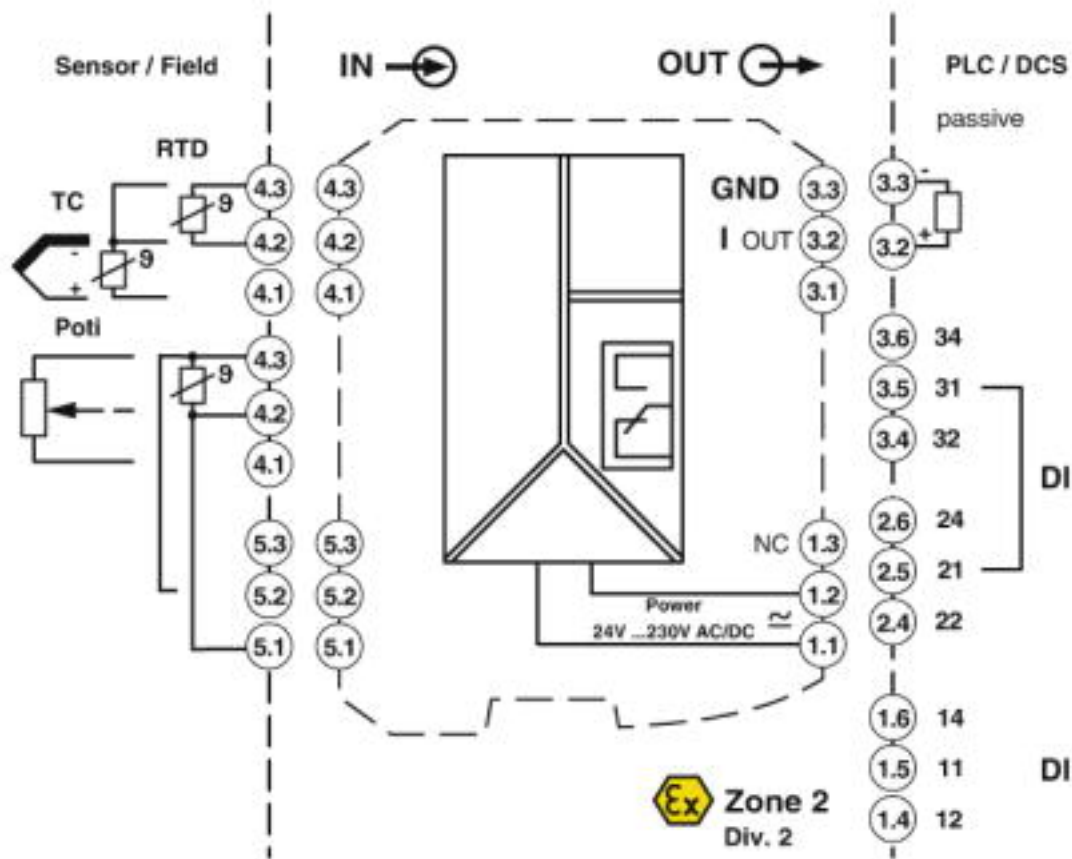
### Environmental Product Compliance

REACH SVHC	Lead 7439-92-1
China RoHS	Environmentally Friendly Use Period = 50
	For details about hazardous substances go to tab "Downloads", Category "Manufacturer's declaration"

## Drawings

# Temperature measuring transducer - MACX PL-T-UIREL-UP - 2904901

Block diagram



Pictogram

