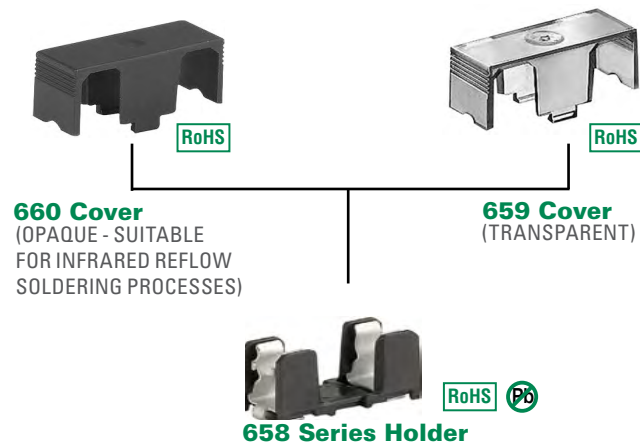
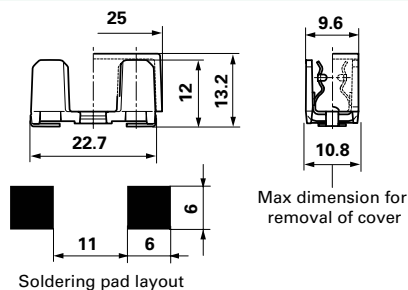


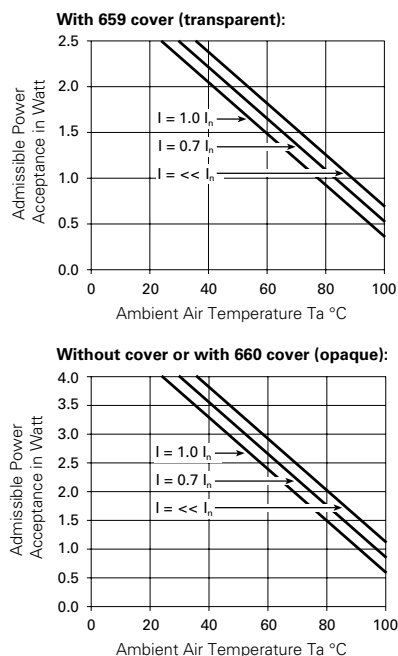
## 658 Series Molded Base Surface Mount Fuse Block For 5x20mm Fuses



### Product Dimensions (millimeter)



### Derating Curves






### Product Characteristics

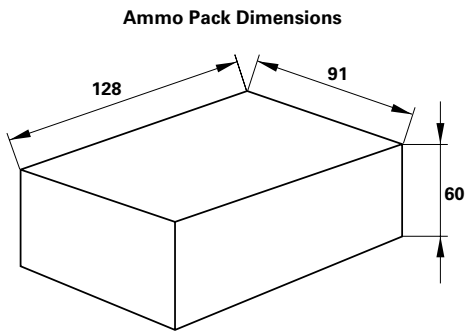
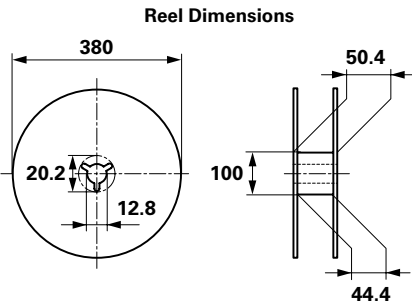
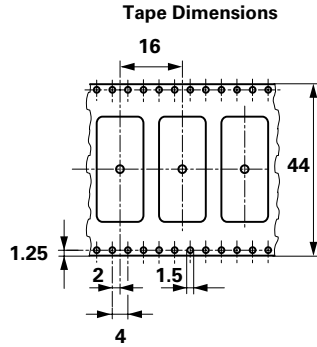
|                                  |  |
|----------------------------------|--|
| <b>Compatible Fuse</b>           | 5x20 mm  |
| <b>Materials</b>                 | <p><b>Clip Frame:</b><br/>65800001xxx: UL94 V-0 Black Thermoplastic<br/>65800003xxx: UL94 V-0 Black LCP<br/>65800004xxx: UL94 V-0 Black LCP</p> <p><b>Clip Terminals:</b><br/>65800001xxx: Tin (Sn) plated copper alloy<br/>65800003xxx: Tin (Sn) plated copper alloy<br/>65800004xxx: Gold (Au) plated copper alloy</p> |
| <b>Electrical Data</b>           | <p><b>Rated Voltage:</b><br/>250 VAC (VDE);<br/>250 VAC/DC (UL/CSA)</p> <p><b>Rated Current:</b> 10A</p> <p><b>Rated Power Acceptance</b> (at ambient air temp 23°C):<br/>- 4W without cover<br/>- 4W with 660 cover<br/>- 2.5W with 659 cover</p>   |
| <b>Mounting</b>                  | SMT. Reflow soldering  |
| <b>Operating Temperature</b>     | -40°C to +85°C   |
| <b>Stock Conditions</b>          | 0°C to +60°C, max 70% Relative humidity  |
| <b>Vibration Resistance</b>      | acc. to IEC 60068-2-6, test Fc   |
| <b>Contact Resistance</b>        | < 5 mΩ at 20 mV  |
| <b>Dielectric Strength</b>       | > 3kV, 50 Hz, 1 min.   |
| <b>Impulse withstand Voltage</b> | > 4 kV between L-N   |
| <b>Insulation Resistance</b>     | (500 V DC/1 min): >10 MΩ   |
| <b>Solderability</b>             | 245 - 260°C / max. 30 sec. acc. to JE-DEC J-STD-020D   |
| <b>Soldering Profile</b>         | JEDEC J-STD-020C:<br>- 65800001xxx: 245(+0/-5)°C / 30 sec max.<br>- 65800003xxx: 260(+0/-5)°C / 30 sec max.<br>- 65800004xxx: 260(+0/-5)°C / 30 sec max.   |

\* Ensure that proper fuse re-rating is factored in fuseholder selection.

### Agency Approval

| Agency  | Agency File Number         |
|---|----------------------------|
|  | 40001499                   |
|  | 251220 (see ordering info) |
|  | E70164 (see ordering info) |

## Packaging Dimensions (millimeter)



## Ordering Information

|                       |  |
|-----------------------|--|
| <b>658 0000 1009</b>  | Fuse Holder - Thermoplastic / Tin terminals (100 pcs bulk)   |
| <b>658 0000 1109</b>  | Fuse Holder - Thermoplastic / Tin terminals (400 pcs tape & reel)  |
| <b>658 0000 3009*</b> | Fuse Holder - LCP plastic / Tin terminals (100 pcs bulk)   |
| <b>658 0000 3109*</b> | Fuse Holder - LCP plastic / Tin terminals (400 pcs tape & reel)  |
| <b>658 0000 4009*</b> | Fuse Holder - LCP plastic / Gold terminals (100 pcs bulk)  |
| <b>658 0000 4109*</b> | Fuse Holder - LCP plastic / Gold terminals (400 pcs tape & reel)   |
| <b>659 0000 0009</b>  | Fuse Holder Cover - Transparent plastic (100 pcs bulk)   |
| <b>660 0000 1009</b>  | Fuse Holder Cover - Opaque plastic, suitable for infrared (IR) reflow soldering processes (100 pcs bulk) |

\* Not UL Recognized or CSA.

## Additional Information



**Datasheet**  
658 Series



**Resources**  
658 Series



**Samples**  
658 Series



**659 Series**

**Resources**  
659 Series



**Samples**  
659 Series



**660 Series**

**Resources**  
660 Series



**Samples**  
660 Series