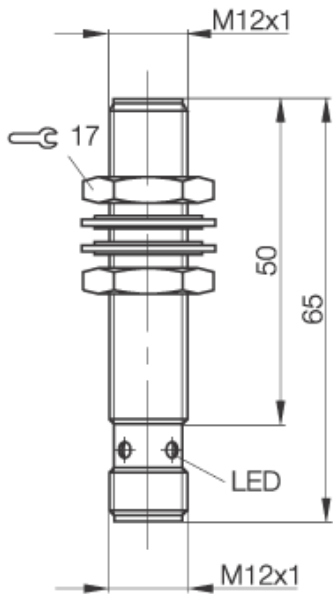
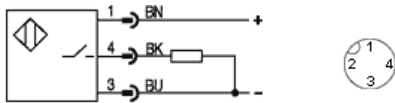


cyl. M12
 Sn = 8 mm
 DC 3-Wire
 quasi shielded



PX1420



Utilization categories DC 13

Further information:



Einbauhinweise 825356

If not differently indicated,
 all values by IEC 60947-5-2 (DIN EN60947-5-2)
 Specifications subject to change

Balluff GmbH
 Postfach 1160
 73761 Neuhausen
 Telefon (07158) 173-0
 Telefax (07158) 5010

Common Data

| | | |
|-------------------------------|----|----------------|
| Mounting | | quasi shielded |
| Rated operating distance Sn | mm | 8,0 |
| Assured operating distance Sa | mm | 0...5,8 |
| Repeatability | % | <= 10 |
| Function Indication | | yes |
| Ambient temperature range | °C | 0...+60 |

Mechanical Data

| | | |
|---------------------------|----|--------------------|
| Housing size | mm | cyl. M12 |
| Measurements BxHxT or DxT | mm | M12 x 65 |
| Housing material | | CuZn nickel plated |
| Material of sensing face | | LCP |
| Degree of protection | | IP67 |
| Connection | | Connector S4 |

Electrical Data

| | | |
|-------------------------------------|----|---------------|
| Current type | | DC |
| Wiring | | 3-Wire |
| switching function | | normally-open |
| Output signal | | PNP |
| Rated operational voltage | V | 24 DC |
| Rated operational current | mA | 200 |
| Supply voltage | V | 10...55 DC |
| Rated supply frequency | Hz | 300 |
| No-load supply current | mA | <= 10 |
| Off-state current | µA | <= 10 |
| Voltage drop | V | <= 2.5 |
| Short circuit protection | | yes |
| Protected against polarity reversal | | yes |

24.02.2004 / Online-Information