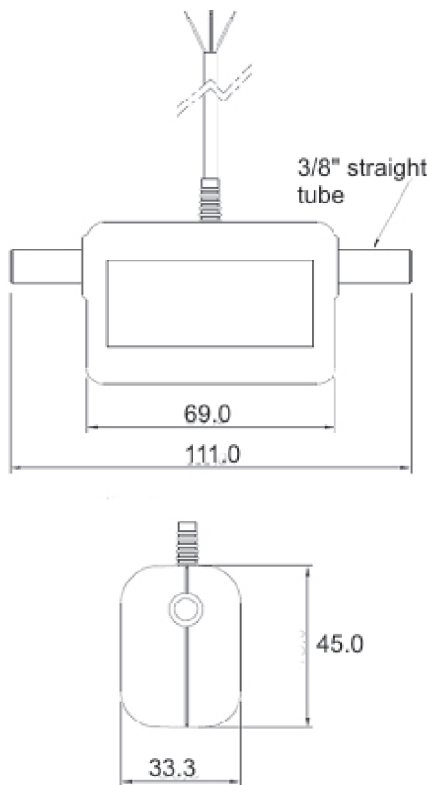


Ultrasonic Flow Meter UF08B



- Non-invasive sensor technology
- Fully electronic, no moving parts
- Automatic viscosity and temperature compensation
- Pulse or analogue output selectable
- Low pressure drop
- LED indication of no liquid & of flow rate



Cynergy3 Components Ltd.
7 Cobham Road
Ferndown Industrial Estate
Wimborne, Dorset BH21 7PE
Telephone +44 (0) 1202 897969

Email: sales@cynergy3.com

ISO9001 CERTIFIED

This innovative design provides a high accuracy, non-invasive, flow measurement device at a fraction of the cost of other current non-invasive systems. The unique measurement technique automatically compensates for viscosity and temperature variations. The measurement of flow is by ultrasonic transit time in-line cell.

The flow path is designed to minimise pressure drop and, having no moving parts within, will not clog or jam. The sensor also allows contaminants to pass through without affecting its performance.

The sensor is supplied with pulse and analogue outputs, which are selectable by connection wires..

Technical Specifications

Max. flow L/min (Q4)	8	
Transitional flow (Q2)	0.4	
Min. flow L/min (Q1)	0.1	
Output selectable	Pulse	Analogue

Performance

Accuracy for flow rates between Q2 and Q4	3% of reading
Accuracy for flow rates between Q1 and Q2	5% of reading
Resolution better than	0.001L/min
Reverse flow	0-8L/min
Response time	Better than 0.1s

Interface

Connection 8 wires (RED supply +ve, BLACK ground, Blue NPN output, Yellow Data in, White PNP output, Orange Voltage output, Brown Current output, Green Ground connected internally to black)			
Supply	8 - 24VDC (input current <15mA @ 24VDC)		
Output selectable	1000 pulses/L	0-5Vdc	4-20mA

Operation

Principle	Ultrasonic transit time in-line flow cell
Temp. range (fluid)	-10°C to 85°C
Continuous fluid sound	Maintains performance regardless of fluid type, temperature or viscosity for speed measurement fluids with sound speeds 1250 - 1750 m/s

Physical characteristics

Flow tube material	Glass filled plastic, Grivory HTV-4FWA Black 9225 (FDA and EU approved for foodstuffs)
Flow tube internal diameter	7mm
Connection thread	3/8" straight tube
Internal bore of connection	7mm
Suitable Pushfit adaptor (to fit 3/8" OD Tube)	John Guest Speedfit PI0412S
Maximum pressure	10 bar
Case material	ABS black, Polylac PA-757
Case integrity	Ultrasonically welded, not liquid proof
Connection	8 core, PVC sheathed, 100cm long standard
Environmental protection	Internal electronics conformally coated.

Ordering Code

Series	UF 08 B 100	Cable length (cms)
Flow range (8= 0 to 8L/min)		Output (B = selectable)

www.cynergy3.com