

FEATURES

1. Breakthrough height of 9.8 mm .386 inch beats the 10 mm .394 inch limit

1c, 2c, and 4c all have the same height (9.8 mm .386 inch). The width of the relay is also the same (9.9 mm .390 inch). Since the only size variable is the length, the shared form makes mounting on printed printing wiring boards easy.

2. Suitable for use in difficult environments

Epoxy resin seals the parts and cut off the external atmosphere, thus enabling use in difficult environments.

3. Can be used with automatic solder and automatic wash systems

Automatic soldering and automatic washing can be carried out once the parts are mounted on PC boards.

4. Gold-clad twin contacts ensure high reliability

Highly stable gold cladding on the contacts ensures that contact resistance changes little over time. Furthermore, the use of twin contacts, a configuration that performs with superior contact reliability, ensures extremely low contact failure rates even under low level loads.

5. Polarized magnetic circuits realize resistance to shock and vibration

High-performance polarized magnetic circuits that utilize the energy of permanent magnets have made it possible to create relays with strong resistance to shock and vibration.

6. DIL terminal array enables use of IC sockets

7. Widening scope of application with multicontact latching

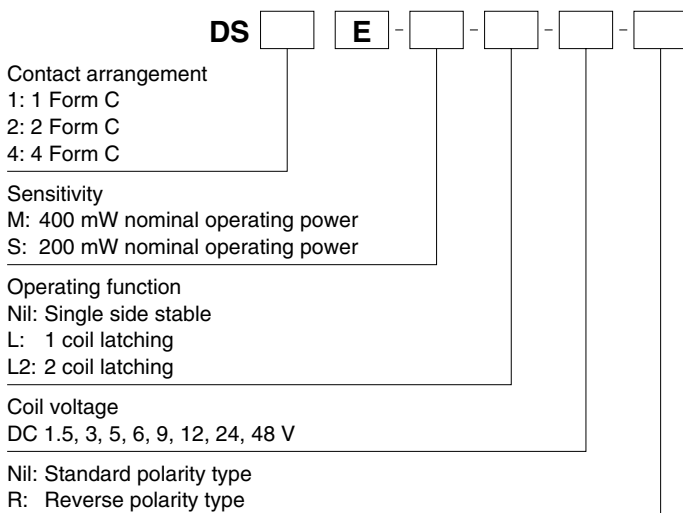
In addition to single side stable types, you can take advantage of the memory of functions of convenient 1 coil or 2 coil latching relays.

RoHS Directive compatibility information
<http://www.mew.co.jp/ac/e/environment/>

TYPICAL APPLICATIONS

Besides telecommunications, measuring devices, office equipment, computers and related equipment, DS relays are also recommended for a broad range of applications including business devices, audio systems, and industrial equipment.

ORDERING INFORMATION



Note: 1 coil latching type are manufactured by lot upon receipt of order.
Reverse polarity types available (add suffix-R)

TYPES

1. Standard type

| Contact arrangement | Nominal coil voltage | Single side stable type | 2 coil latching type |
|---------------------|----------------------|-------------------------|----------------------|
| | | Part No. | Part No. |
| 1 Form C | 1.5V DC | DS1E-M-DC1.5V | DS1E-ML2-DC1.5V |
| | 3V DC | DS1E-M-DC3V | DS1E-ML2-DC3V |
| | 5V DC | DS1E-M-DC5V | DS1E-ML2-DC5V |
| | 6V DC | DS1E-M-DC6V | DS1E-ML2-DC6V |
| | 9V DC | DS1E-M-DC9V | DS1E-ML2-DC9V |
| | 12V DC | DS1E-M-DC12V | DS1E-ML2-DC12V |
| | 24V DC | DS1E-M-DC24V | DS1E-ML2-DC24V |
| 2 Form C | 48V DC | DS1E-M-DC48V | DS1E-ML2-DC48V |
| | 1.5V DC | DS2E-M-DC1.5V | DS2E-ML2-DC1.5V |
| | 3V DC | DS2E-M-DC3V | DS2E-ML2-DC3V |
| | 5V DC | DS2E-M-DC5V | DS2E-ML2-DC5V |
| | 6V DC | DS2E-M-DC6V | DS2E-ML2-DC6V |
| | 9V DC | DS2E-M-DC9V | DS2E-ML2-DC9V |
| | 12V DC | DS2E-M-DC12V | DS2E-ML2-DC12V |
| 4 Form C | 24V DC | DS2E-M-DC24V | DS2E-ML2-DC24V |
| | 48V DC | DS2E-M-DC48V | DS2E-ML2-DC48V |
| | 1.5V DC | DS4E-M-DC1.5V | DS4E-ML2-DC1.5V |
| | 3V DC | DS4E-M-DC3V | DS4E-ML2-DC3V |
| | 5V DC | DS4E-M-DC5V | DS4E-ML2-DC5V |
| | 6V DC | DS4E-M-DC6V | DS4E-ML2-DC6V |
| | 9V DC | DS4E-M-DC9V | DS4E-ML2-DC9V |
| 4 Form C | 12V DC | DS4E-M-DC12V | DS4E-ML2-DC12V |
| | 24V DC | DS4E-M-DC24V | DS4E-ML2-DC24V |
| | 48V DC | DS4E-M-DC48V | DS4E-ML2-DC48V |

Standard packing: Tube: 50 pcs.; Case: 500 pcs.

2. High sensitivity type

| Contact arrangement | Nominal coil voltage | Single side stable type | 2 coil latching type |
|---------------------|----------------------|-------------------------|----------------------|
| | | Part No. | Part No. |
| 1 Form C | 1.5V DC | DS1E-S-DC1.5V | DS1E-SL2-DC1.5V |
| | 3V DC | DS1E-S-DC3V | DS1E-SL2-DC3V |
| | 5V DC | DS1E-S-DC5V | DS1E-SL2-DC5V |
| | 6V DC | DS1E-S-DC6V | DS1E-SL2-DC6V |
| | 9V DC | DS1E-S-DC9V | DS1E-SL2-DC9V |
| | 12V DC | DS1E-S-DC12V | DS1E-SL2-DC12V |
| | 24V DC | DS1E-S-DC24V | DS1E-SL2-DC24V |
| 2 Form C | 48V DC | DS1E-S-DC48V | DS1E-SL2-DC48V |
| | 1.5V DC | DS2E-S-DC1.5V | DS2E-SL2-DC1.5V |
| | 3V DC | DS2E-S-DC3V | DS2E-SL2-DC3V |
| | 5V DC | DS2E-S-DC5V | DS2E-SL2-DC5V |
| | 6V DC | DS2E-S-DC6V | DS2E-SL2-DC6V |
| | 9V DC | DS2E-S-DC9V | DS2E-SL2-DC9V |
| | 12V DC | DS2E-S-DC12V | DS2E-SL2-DC12V |
| 4 Form C | 24V DC | DS2E-S-DC24V | DS2E-SL2-DC24V |
| | 48V DC | DS2E-S-DC48V | DS2E-SL2-DC48V |
| | 1.5V DC | DS4E-S-DC1.5V | DS4E-SL2-DC1.5V |
| | 3V DC | DS4E-S-DC3V | DS4E-SL2-DC3V |
| | 5V DC | DS4E-S-DC5V | DS4E-SL2-DC5V |
| | 6V DC | DS4E-S-DC6V | DS4E-SL2-DC6V |
| | 9V DC | DS4E-S-DC9V | DS4E-SL2-DC9V |
| 4 Form C | 12V DC | DS4E-S-DC12V | DS4E-SL2-DC12V |
| | 24V DC | DS4E-S-DC24V | DS4E-SL2-DC24V |
| | 48V DC | DS4E-S-DC48V | DS4E-SL2-DC48V |

Standard packing: Tube: 50 pcs.; Case: 500 pcs.

Notes: 1. 1 coil latching type are manufactured by lot upon receipt of order.

2. Reverse polarity types available (add suffix-R)