

4

3

2

1

THIS DRAWING IS UNPUBLISHED.

RELEASED FOR PUBLICATION

© COPYRIGHT - By -

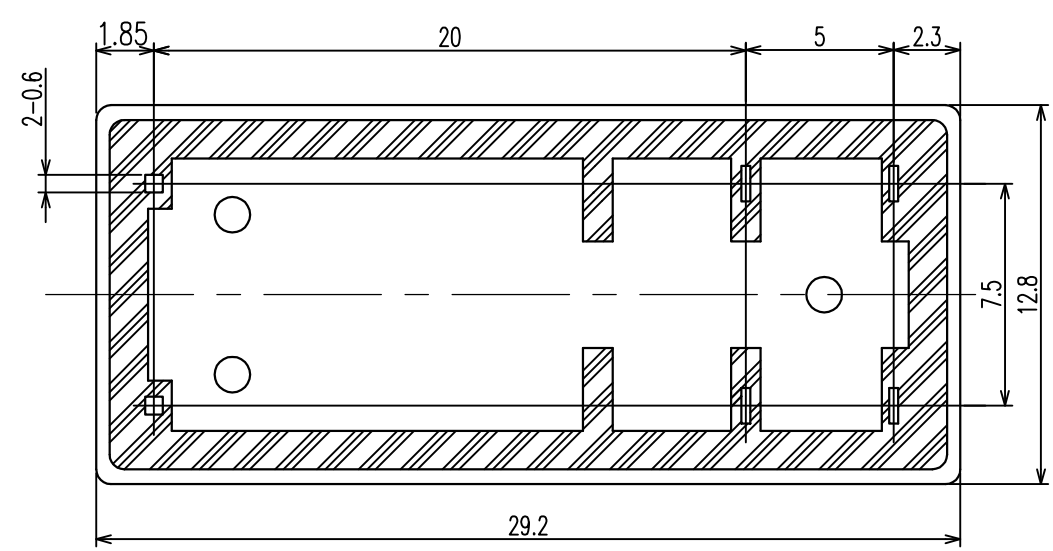
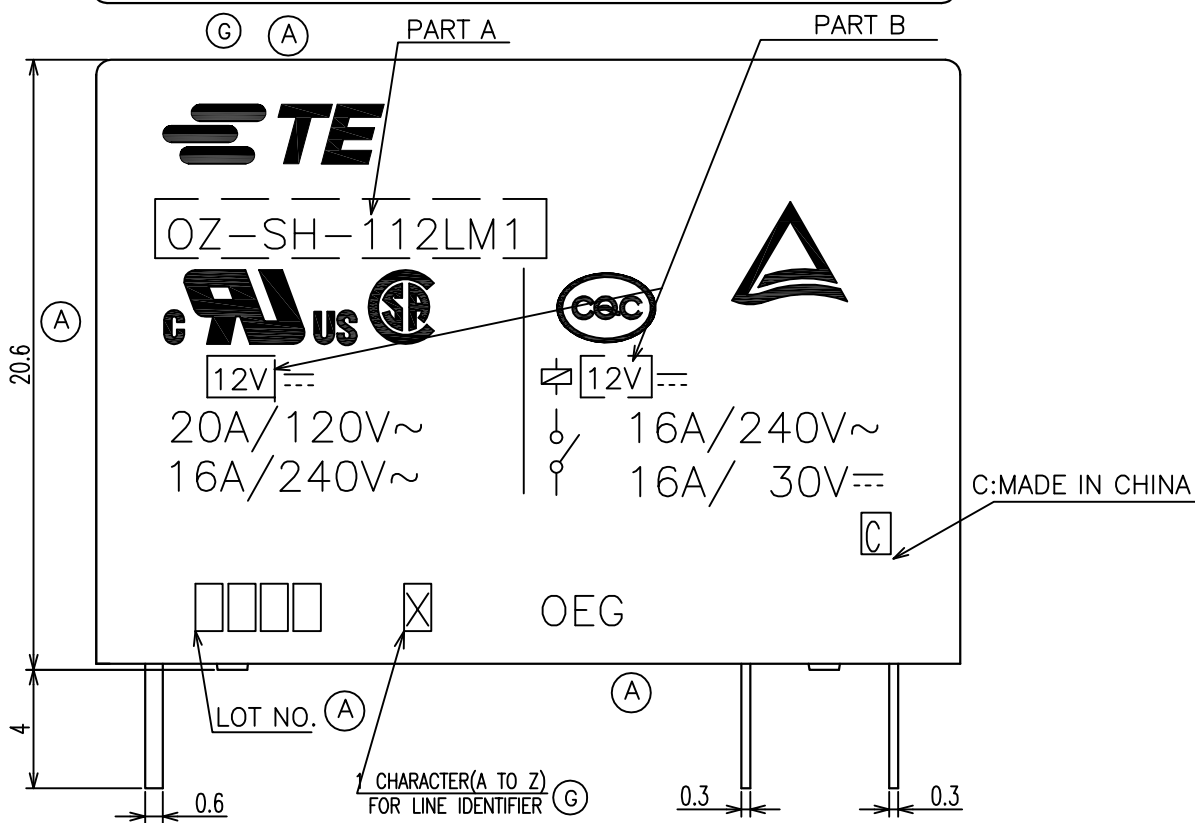
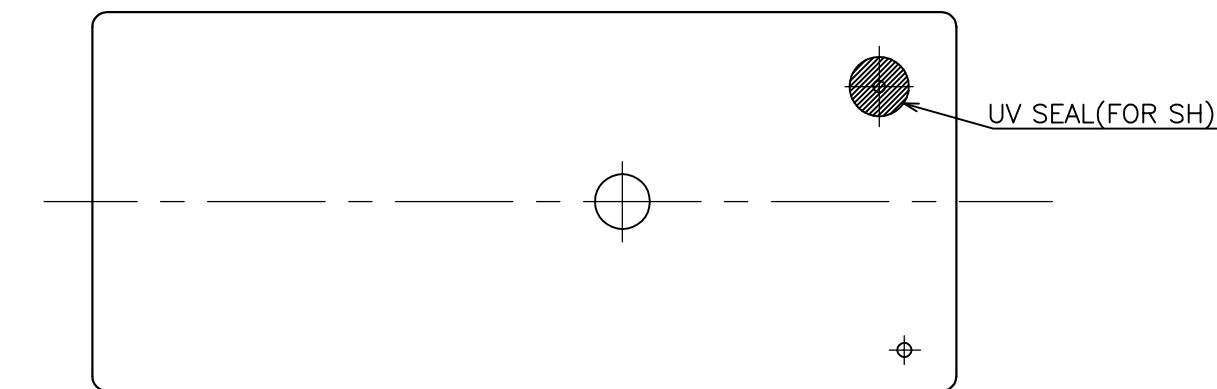
ALL RIGHTS RESERVED.

LOC
HB

DIST
-

REVISIONS

P	LTR	DESCRIPTION	DATE	DWN	APVD
	H	REVISE ONLY	ECO-13-015347	16-DEC-13	XL,Y B,F



NOTES:
 1. TERMINAL DIMENSION IS NOT INCLUDING SOLDER TIP.
 2. LOT NO. SYSTEM AS FOLLOING:
 0 8 2 5
 WEEK
 YEAR

3. GENERAL TOLERANCE AS FOLLOING:

TOLERANCE	
0~0.99mm	±0.1
1mm~2.99mm	±0.2
3mm MIN.	±0.3

4. FOR THE TIN-PLATING OF THE PINS:
 +0.1mm FOR WIDTH, THICKNESS AND DIAMETER.
 +0.5mm FOR LENGTH.

THIS DRAWING IS A CONTROLLED DOCUMENT.

DIMENSIONS: mm	TOLERANCES UNLESS OTHERWISE SPECIFIED: 0 PLC ±- 1 PLC ±- 2 PLC ±- 3 PLC ±- 4 PLC ±- ANGLES ±-	DWN SHIMING.CHEN CHK WAYNE.PENG APVD FUNAYAMA.NAOYA PRODUCT SPEC APPLICATION SPEC WEIGHT	TE Connectivity NAME OZ-1M CUSTOMER DRAWING SIZE A3 CAGE CODE 00779 DRAWING NO C=1440002-5 RESTRICTED TO	
MATERIAL	FINISH	CUSTOMER DRAWING	SCALE 4:1	SHEET 1 OF 2

THIS DRAWING IS UNPUBLISHED.

RELEASED FOR PUBLICATION

© COPYRIGHT - By -

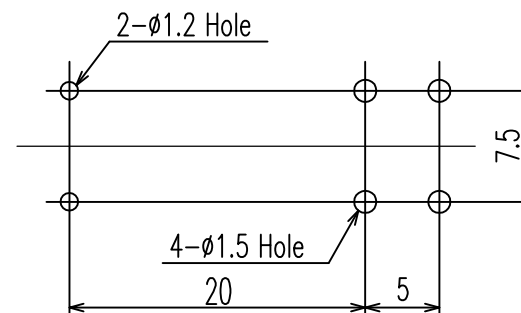
ALL RIGHTS RESERVED.

LOC	DIST	REVISIONS					
		P	LTR	DESCRIPTION	DATE	DWN	APVD
HB	-						

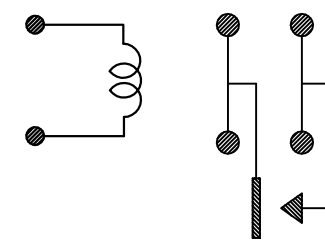
PART NO	DESCRIPTION	PART B	PART A	ITEM
1-1461250-4	OZ-SH-112DM1	12V	OZ-SH-112DM1	y
1-1461250-9	OZ-SH-148LM1	48V	OZ-SH-148LM1	x
1-1461250-7	OZ-SH-148DM1	48V	OZ-SH-148DM1	w
1-1461250-5	OZ-SH-124LM1	24V	OZ-SH-124LM1	v
1-1461250-3	OZ-SH-109LM1	9V	OZ-SH-109LM1	u
1-1461250-1	OZ-SH-109DM1	9V	OZ-SH-109DM1	t
0-1461250-9	OZ-SH-106LM1	6V	OZ-SH-106LM1	s
0-1461250-7	OZ-SH-106DM1	6V	OZ-SH-106DM1	r
0-1461250-4	OZ-SH-105DM1	5V	OZ-SH-105DM1	q
0-1-1440002-0	OZ-SH-124DM1	24V	OZ-SH-124DM1	p
0-1440002-8	OZ-SH-112LM1	12V	OZ-SH-112LM1	o
0-1440002-5	OZ-SH-105LM1	5V	OZ-SH-105LM1	n
7-1440009-5	OZ-SS-103LM1	3V	OZ-SS-103LM1	m
0-1461355-1	OZ-SS-118DM1	18V	OZ-SS-118DM1	l
0-1461251-5	OZ-SS-105DM1	5V	OZ-SS-105DM1	k
0-1461251-4	OZ-SS-109DM1	9V	OZ-SS-109DM1	j
0-1461251-3	OZ-SS-105LM1	5V	OZ-SS-105LM1	i
3-1440002-0	OZ-SS-148DM1	48V	OZ-SS-148DM1	h
2-1440002-9	OZ-SS-124LM1	24V	OZ-SS-124LM1	g
2-1440002-6	OZ-SS-124DM1	24V	OZ-SS-124DM1	f
2-1440002-4	OZ-SS-112LM1	12V	OZ-SS-112LM1	e
2-1440002-2	OZ-SS-112DM1	12V	OZ-SS-112DM1	d
2-1440002-0	OZ-SS-109LM1	9V	OZ-SS-109LM1	c
1-1440002-7	OZ-SS-106LM1	6V	OZ-SS-106LM1	b
1-1440002-5	OZ-SS-106DM1	6V	OZ-SS-106DM1	a

RELAY TYPE

DRILLING DIAGRAM (BOTTOM VIEW)



CIRCUIT DIAGRAM(2/1) (BOTTOM VIEW)



INCOMBUSTIBILITY	TREATMENT	MATERIAL	DESCRIPTION	ITEM
		UV RESIN	UV SEAL	16
		EPOXY RESIN	SEAL	15
		Cu ALLOY	HINGE SPRING	14
		PBT	CASE	13
		MW79	MAGNETIC WIRE	12
UL94V-0		PET	BASE	11
UL94HB		PBT	BOBBIN	10
	SOLDER DIP	Cu ALLOY	COIL TERMINAL	9
UL94V-0		PPS	CARD	8
		Ag ALLOY	MOVABLE CONTACT	7
		Ag ALLOY	STATIONARY CONTACT	6
	SOLDER DIP	Cu ALLOY	MOVABLE SPRING	5
	SOLDER DIP	Cu ALLOY	NO-TERMINAL	4
	Ni PLATED	STEEL	CORE	3
	Ni PLATED	STEEL	ARMATURE	2
	Ni PLATED	STEEL	YOKE	1

THIS DRAWING IS A CONTROLLED DOCUMENT.		DWN	TE Connectivity		
		CHK			
DIMENSIONS: mm		APVD	OZ-1M CUSTOMER DRAWING		
		PRODUCT SPEC	RESTRICTED TO		
TOLERANCES UNLESS OTHERWISE SPECIFIED:		APPLICATION SPEC	SIZE	CAGE CODE	DRAWING NO
0 PLC ± -		WEIGHT	A3	00779	©=1440002-5
1 PLC ± -		CUSTOMER DRAWING	SCALE	SHEET	REV
2 PLC ± -			4:1	2 of 2	H
3 PLC ± -					
4 PLC ± -					
ANGLES ± -					
FINISH					