

# Specifications

Ver.1.1

Product Name

PIR MOTION SENSOR "PaPIRs"

Model No.

EKMC160611□

Page: 1

### 1. Product Name

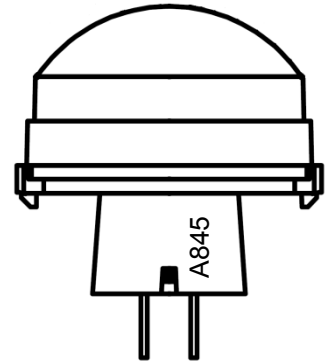
PIR MOTION SENSOR "PaPIRs"

VZ series · High density long distance detection type (170μA / Digital output)

### 2. Model Number

| Lens Color  | Model Number |
|-------------|--------------|
| White       | EKMC1606111  |
| Black       | EKMC1606112  |
| Pearl White | EKMC1606113  |

Marking



A 8 45

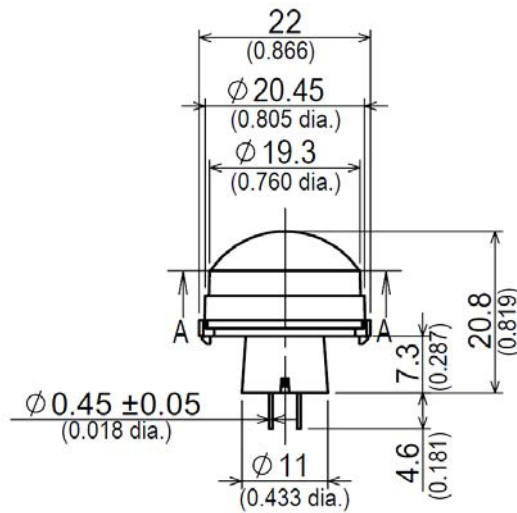
a) b) c)

### 3. Dimensions

Top VIEW



Side VIEW



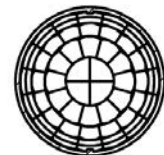
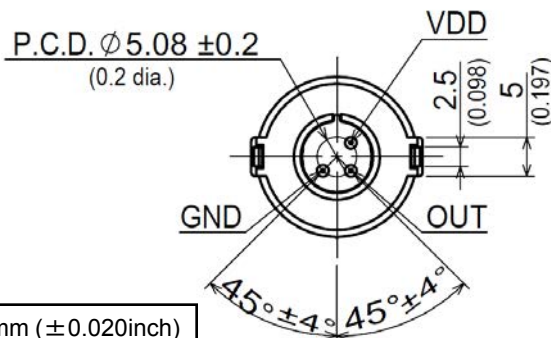
a) The Marking which was shown by a list shown below

| Marking | Model Number |
|---------|--------------|
| A       | EKMC160611□  |
| B       | EKMB130611□K |
| C       | EKMB110611□  |
| D       | EKMB120611□  |
| E       | EKMB260611□  |
| F       |              |
| G       | EKMC260611□K |
| H       | EKMC460611□K |
| I       |              |
| J       |              |
| K       |              |

b) Last-digit of the year  
(Ex:2010=0,2011=1,...)

c) Lot No.  
1<sup>st</sup> week of Jan. will be 01,  
and further No. of 02,03,  
will continue up to 53.

Bottom VIEW



SECTION A-A

General Tolerance ±0.5mm (±0.020inch)

## Panasonic Corporation

Approved by

Checked by

Issued on Mar. 23<sup>rd</sup>,2018

Designed by

# Specifications

Ver.1.1

Product Name

PIR MOTION SENSOR "PaPIRs"

Model No.

EKMC160611□

Page: 2

## 4.Characteristics

### 4-1 Detection Performance

Conditions for measuring: Ambient temperature=25°C(77° F) Operating voltage=5VDC

|                            | Temperature difference | Value   | Conditions concerning the target   |
|----------------------------|------------------------|---------|--|
| (Note1)<br>Detection Range | 8°C(14.4° F)           | Max 17m | 1.Movement speed: 1.0m/s<br>2.Target concept is human body<br>(Object size:Around 700×250mm) |
|                            | 4°C(7.2° F)            | Max 12m |  |

Note1: Depending on the temperature difference between the target and the surroundings, detection range will change.

|                |                 | Value      | Notes                     |
|----------------|-----------------|------------|---------------------------|
| Detection Area | Horizontal      | 62° (±31°) | Refer to the section 4-5. |
|                | Vertical        | 62° (±31°) |                           |
|                | Detection zones | 128        |                           |

### 4-2 Maximum Rated Values

|                            | Value  | Unit |
|----------------------------|--|------|
| Power Supply Voltage       | -0.3~7.0   | VDC  |
| Usable Ambient Temperature | -20~+60°C (-4~+140° F)<br>Do not use in a freezing or condensation environment |      |
| Storage Temperature        | -20~+70°C (-4~+158° F)   |      |

### 4-3 Electrical Characteristics

Conditions for Measuring: Ambient temperature=25°C(77° F)

|   | Symbol | Min       | Avg. | Max | Unit | Special mention  |
|---|--------|-----------|------|-----|------|------------------|
| Operating Voltage                                   | Vdd    | 3.0       | —    | 6.0 | VDC  | —                |
| Electrical Current Consumption                      | Iw     | —         | 170  | 300 | μA   | Iout=0           |
| Output Current                                      | Iout   | —         | —    | 100 | μA   | Vout ≥ Vdd - 0.5 |
| Output Voltage                                      | Vout   | Vdd - 0.5 | —    | —   | VDC  | —                |
| Circuit Stability Time<br>(when voltage is applied) | Twu    | —         | —    | 30  | s    | —                |