

Specifications

Ver.1.1

Product Name

PIR MOTION SENSOR "PaPIRs"

Model No.

EKMC260111□ K

Page: 1

1. Product Name

PIR MOTION SENSOR "PaPIRs"

VZ series · Standard detection type (170μA / Analog output)

2. Model Number

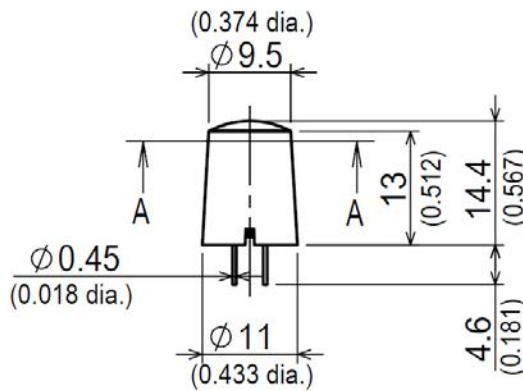
Lens Color	Model Number
White	EKMC2601111K
Black	EKMC2601112K
Pearl White	EKMC2601113K

3. Dimensions

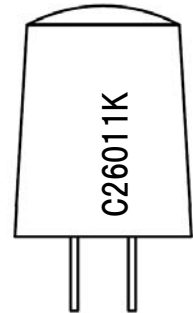
Top VIEW



Side VIEW



Marking



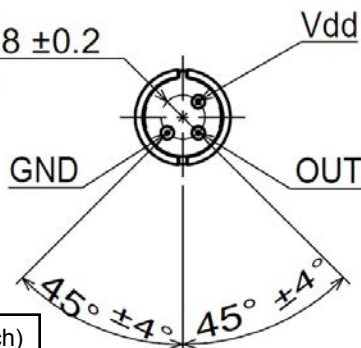
C 26 0 11 K

a) b) c) d) e)

- a) 4th digit of Model No.
(Ex:EKMC2601111K)
- b) 5th & 6th digit of Model No.
(Ex:EKMC2601111K)
- c) Last-digit of the year
(Ex:2010=0,2011=1,...)
- d) Lot No.
1st week of Jan. will be 01,
and further No. of 02,03,
will continue up to 53.
- e) 12th digit of Model No.
(Ex:EKMC2601111K)

Bottom VIEW

P.C.D. $\phi 5.08 \pm 0.2$
(0.2 dia.)



SECTION A-A

General Tolerance $\pm 0.5\text{mm}$ ($\pm 0.020\text{inch}$)

Panasonic Corporation

Approved by

Checked by

Issued on Mar. 26th,2018

Designed by

Specifications

Ver.1.1

Product Name

PIR MOTION SENSOR "PaPIRs"

Model No.

EKMC260111□ K

Page: 2

4.Characteristics

4-1 Detection Performance

Conditions for measuring: Ambient temperature=25°C(77° F) Operating voltage=5VDC

		Value	Conditions concerning the target
※Detection Sensitivity		$\pm 0.22V \leq$	1.The temperature difference between the target and the surroundings should be superior to 4°C.(7.2° F) 2.Movement speed: 1.0m/s 3.Target concept is human body (Size:Around 700×250mm) 4.Detection range is 5m.
Detection Area	Horizontal	94° (±47°)	
	Vertical	82° (±41°)	
	Detection zones*	64	

※The detection range is about 5m however, depending on the target's speed and its temperature difference with the surroundings, detection can occur at a range superior to the value above. Therefore, before using, please confirm the detection characteristics under the usage environment.

*Refer to the "detection area" diagram in section 4-5.

4-2 Maximum Rated Values

	Value	Unit
Power Supply Voltage	-0.3~7.0	VDC
Usable Ambient Temperature	-20~+60°C (-4~+140° F) Do not use in a freezing or condensation environment	
Storage Temperature	-20~+70°C (-4~+158° F)	

4-3 Electrical Characteristics

Conditions for Measuring: Ambient temperature: 25°C(77° F)

Subject	Symbol	Min	Avg.	Max	Unit	Special mention	
Operating Voltage	Vdd	3.0	—	5.5	VDC	—	
Electrical Current Consumption	Iw	—	170	350	μA	Iout=0	
Output Current	Iout	—	—	200	μA	—	
Analog Output Saturated Voltage	High	Vh	1.9	—	—	V	—
	Low	Vl	—	—	0.2	V	—
Output offset average voltage	Vos	1.0	1.1	1.2	V	Steady-state output voltage when not detecting.	
Steady-state noise	Vn	—	80	150	mV	—	
Circuit Stability Time (when voltage is applied)	Twu	—	—	30	s	—	

Issued on Mar. 26th,2018

Panasonic Corporation

(SKC0410-P01.02,140701)