

Specifications

Ver.1.1

Product Name

PIR MOTION SENSOR "PaPIRs"

Model No.

EKMC260311□K

Page: 1

1. Product Name

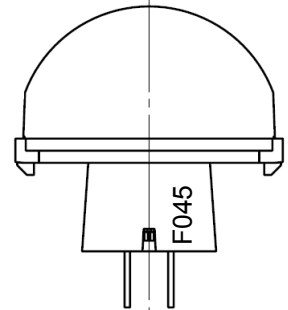
PIR MOTION SENSOR "PaPIRs"

VZ series · Long distance detection type (170μA / Analog output)

2. Model Number

Lens Color	Model Number
White	EKMC2603111K
Black	EKMC2603112K
Pearl White	EKMC2603113K

Marking

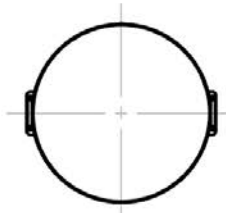


F 0 4 5

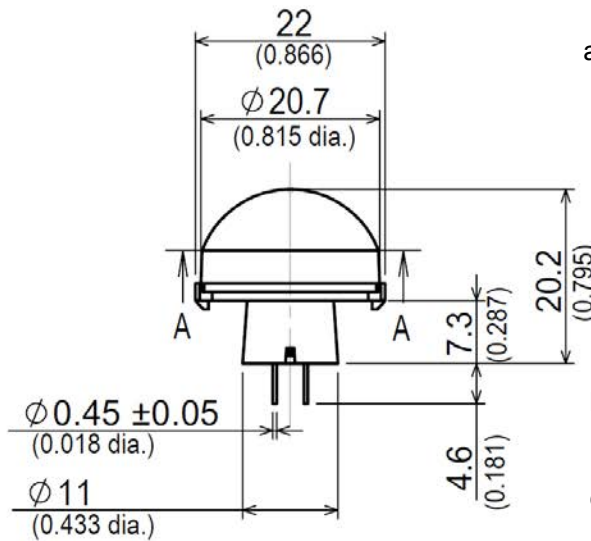
a) b) c)

3. Dimensions

Top VIEW



Side VIEW



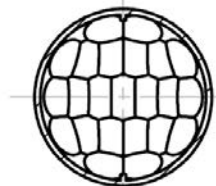
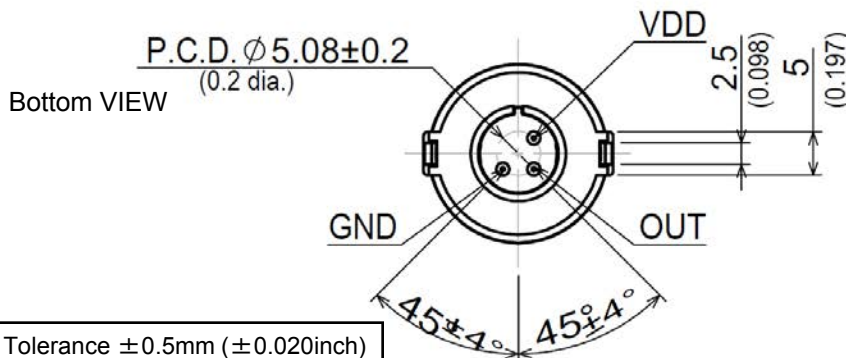
a) The Marking which was shown by a list shown below

Marking	Model Number
A	EKMB110311□
B	EKMB120311□
C	
D	EKMB260311□
E	EKMC160311□
F	EKMC260311□K
G	EKMC460311□K
H	
I	

b) Last-digit of the year (Ex:2010=0,2011=1,...)

c) Lot No.
1st week of Jan. will be 01, and further No. of 02,03, will continue up to 53.

Bottom VIEW



SECTION A-A

General Tolerance ±0.5mm (±0.020inch)

Panasonic Corporation

Approved by

Checked by

Issued on Mar. 26th,2018

Designed by

Specifications

Ver.1.1

Product Name

PIR MOTION SENSOR "PaPIRs"

Model No.

EKMC260311□ K

Page: 2

4.Characteristics

4-1 Detection Performance

Conditions for measuring: Ambient temperature=25°C(77° F) Operating voltage=5VDC

		Value	Conditions concerning the target
※Detection Sensitivity		$\pm 0.22V \leq$	1.The temperature difference between the target and the surroundings should be superior to 4°C.(7.2° F) 2.Movement speed: 1.0m/s 3.Target concept is human body (Size:Around 700×250mm) 4.Detection range is 12m.
Detection Area	Horizontal	102° (±51°)	
	Vertical	92° (±46°)	
	Detection zones*	92	

※The detection range is about 12m however, depending on the target's speed and its temperature difference with the surroundings, detection can occur at a range superior to the value above. Therefore, before using, please confirm the detection characteristics under the usage environment.

*Refer to the "detection area" diagram in section 4-5.

4-2 Maximum Rated Values

	Value	Unit
Power Supply Voltage	-0.3~7.0	VDC
Usable Ambient Temperature	-20~+60°C (-4~+140° F) Do not use in a freezing or condensation environment	
Storage Temperature	-20~+70°C (-4~+158° F)	

4-3 Electrical Characteristics

Conditions for Measuring: Ambient temperature: 25°C(77° F)

Subject	Symbol	Min	Avg.	Max	Unit	Special mention
Operating Voltage	Vdd	3.0	—	5.5	VDC	—
Electrical Current Consumption	Iw	—	170	350	μA	Iout=0
Output Current	Iout	—	—	200	μA	—
Analog Output Saturated Voltage	High	Vh	1.9	—	V	—
	Low	Vl	—	0.2	V	—
Output offset average voltage	Vos	1.0	1.1	1.2	V	Steady-state output voltage when not detecting.
Steady-state noise	Vn	—	80	150	mV	—
Circuit Stability Time (when voltage is applied)	Twu	—	—	30	s	—

Issued on Mar. 26th,2018

Panasonic Corporation

(SKC0410-P01.02,140701)