

XUK2LAPSMM12R

photo-electric laser sensor - XUK - thru beam
receiver - Sn 30m - 10..30VDC -M12



Main

Range of product	OsiSense XU
Series name	Application assembly Application material handling
Electronic sensor type	Photo-electric sensor
Sensor name	XUK
Sensor design	Compact 50 x 50
Detection system	Thru beam
Material	Plastic
Type of output signal	Discrete
Supply circuit type	DC
Wiring technique	4-wire
Discrete output type	PNP
Discrete output function	1 NO or 1 NC programmable
Electrical connection	1 male connector M12, 4 pins
Product specific application	-
Emission	Red thru beam
[Sn] nominal sensing distance	25 m thru beam need transmitter XUK2LAKSMM12T

Complementary

Enclosure material	ABS/PC
Lens material	PMMA
Maximum sensing distance	30 m thru beam
Output type	Solid state
Add on output	Without
Add on input	External teach
Status LED	1 LED (green) for supply on 1 LED (red) for alignment assistance 1 LED (yellow) for output state
[Us] rated supply voltage	
Supply voltage limits	10...30 V DC
Switching capacity in mA	<= 100 mA (overload and short-circuit protection)
Switching frequency	<= 500 Hz
Voltage drop	<= 2.4 V (closed state)
Current consumption	<= 30 mA (no-load)
Delay first up	< 300 ms
Delay response	< 0.14 ms
Delay recovery	< 0.14 ms
Setting-up	Using teach button or remote teaching
Depth	50 mm
Height	50 mm
Width	23 mm
Product weight	0.035 kg

Environment

product certifications	CE CULus Ecolab
------------------------	-----------------------

The information provided in this documentation contains general descriptions and/or technical characteristics of the products contained herein. This documentation is not intended as a substitute for and is not to be used for determining suitability or reliability of these products for specific user applications. It is the duty of any such user or integrator to perform the appropriate and complete risk analysis, evaluation and testing of the products with respect to the relevant specific application or use thereof. Neither Schneider Electric Industries SAS nor any of its affiliates or subsidiaries shall be responsible or liable for misuse of the information contained herein.

ambient air temperature for operation	-20...60 °C -20...50 °C, UL certified
ambient air temperature for storage	-20...80 °C
vibration resistance	7 gn, amplitude = +/- 1.5 mm (f = 10...55 Hz) conforming to IEC 60068-2-6
shock resistance	30 gn (duration = 11 ms) conforming to IEC 60947-5-2
IP degree of protection	IP67 conforming to IEC 60529 IP69K conforming to DIN 40050

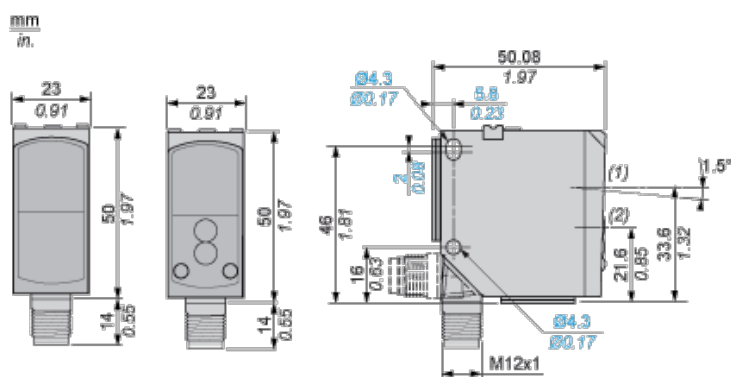
Offer Sustainability

Sustainable offer status	Not Green Premium product
RoHS (date code: YYWW)	Will not be Compliant

Contractual warranty

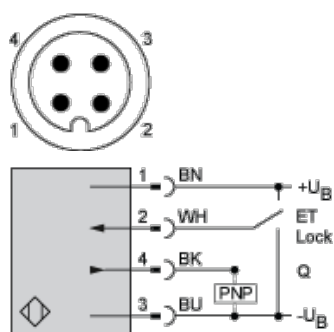
Warranty period	18 months
-----------------	-----------

Dimensions



- (1) Receiver optical axis
- (2) Transmitter optical axis

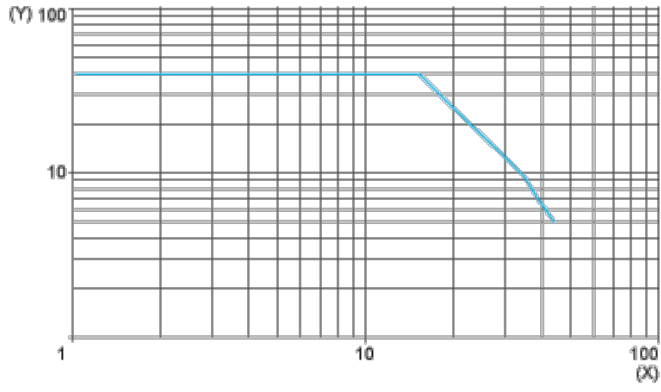
Wiring Schemes Using M12 Connector



- 1 : (+)
- 2 : ET/Lock (1)
- 3 : (-)
- 4 : Output
- BN : Brown
- WH : White
- BU : Blue
- BK : Black
- +UB : External teach
- UB : Pushbutton locking
- (1) ET/Lock. ET: External Teach, Lock: Pushbutton locking

Curves

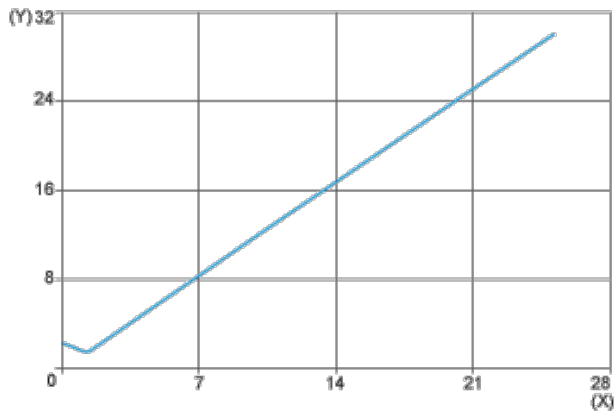
Excess Gain Curve



(X) Distance (m)

(Y) Gain

Size of Luminous Point



(X) Distance (m)

(Y) Size (mm)