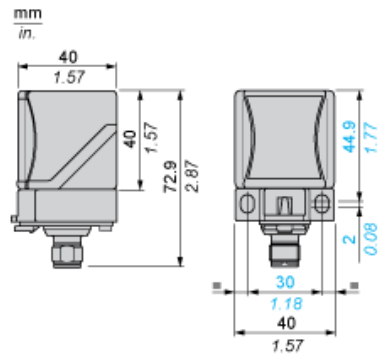
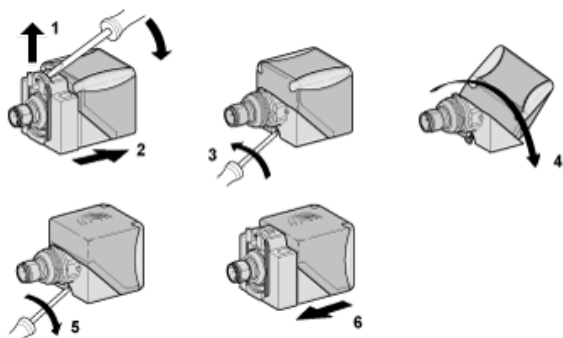


Dimensions



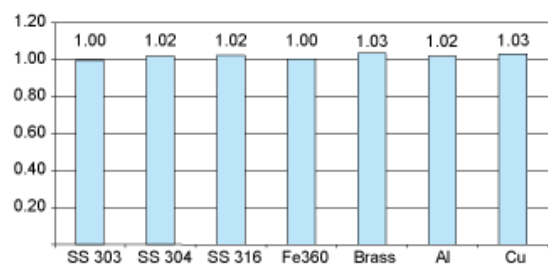
Mounting

Head Positions



Setting-up

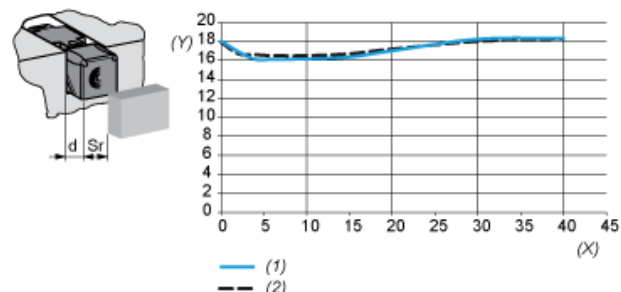
Sensing Distance Correction Factor



SS : Stainless steel
Fe : Steel
Al : Aluminium
Cu : Copper

Setting-up

Operating Distance (According to the Sensor's Level of Flush Mounting)



(y) Sensing distance (Sr) mm
(x) Sensing face/frame distance (d) mm
(1) Flush mounted in aluminium
(2) Flush mounted in Fe360