

8911 WIRELESS ACCELEROMETER

LoRaWAN™ 868/915MHz

ENVIRONMENTAL SPECIFICATIONS

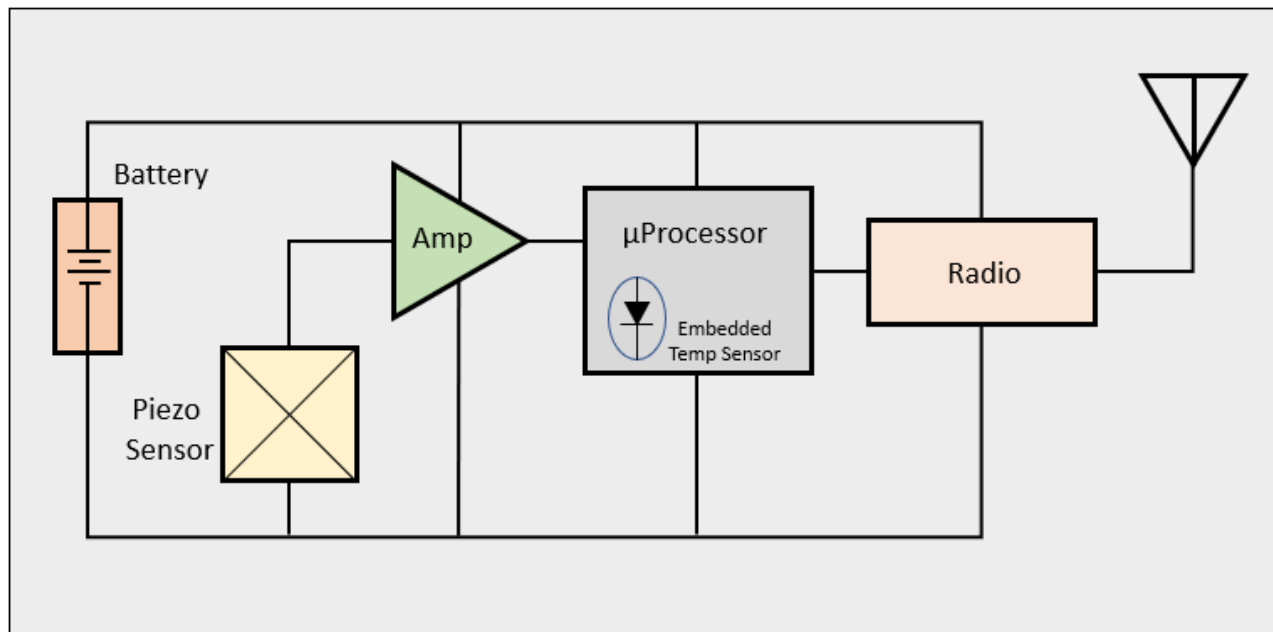
| Parameter | Symbol | Min | Typ | Max | Unit | Notes/Conditions |
|------------------------|--------|-----|--|-----|-------|------------------|
| Operating temperature | | -20 | | 60 | °C | |
| Storage temperature | | -40 | | 120 | °C | Without battery |
| Ambient humidity | | 0 | | 95 | % | Non-condensing |
| EMI/RFI/ESD protection | | | IEC61000-4-2, ICE61000-4-6 | | | |
| Ingress protection | IP | | | 66 | | |
| Media compatibility | | | External exposed surfaces: 316L stainless steel POM polymer EPDM o-ring | | | |
| Weight | | | 200 | | grams | |

COMMUNICATION SPECIFICATIONS

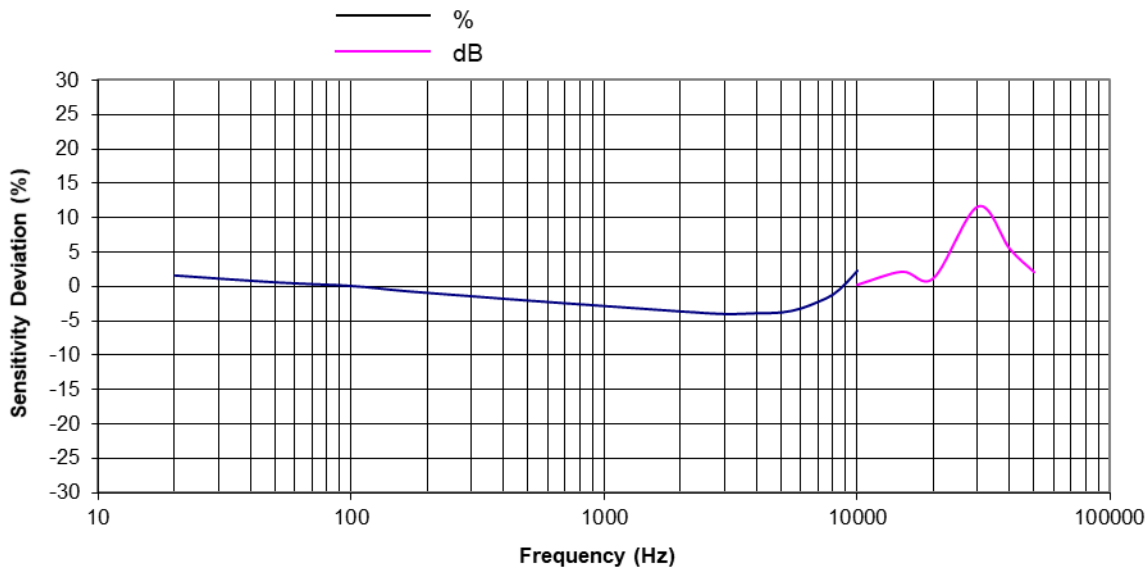
| Parameter | Symbol | Min | Typ | Max | Unit | Notes/Conditions |
|--|--------|------------------|-----------------------|------|------|--|
| Wireless protocol | | LoRaWAN™ Class A | | | | |
| Operating freq (region) ⁽¹⁾ | | | 868 (EU) 915 (USA) | | MHz | Other frequencies available Contact factory |
| Transmit power | | | 12 | 14 | dBm | |
| Receiver sensitivity | | | -131 | -137 | dBm | |
| Activation | | OTAA | | | | |
| Activation keys | | Factory defined | | | | Custom keys available Contact factory |

⁽¹⁾Each operating frequency is part number specific

BLOCK DIAGRAM



TYPICAL ACCELEROMETER FREQUENCY RESPONSE CURVE



TYPICAL TEMPERATURE RESPONSE CURVE

