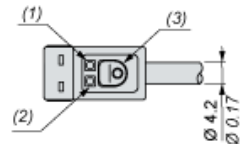


Dimensions

Pre-cable Version

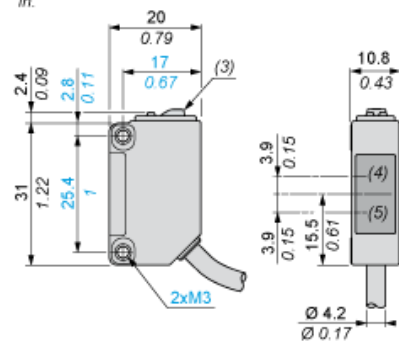
Description

mm  
in.



Dimensions

mm  
in.



- (1) Output indicator (orange)
- (2) Stability indicator (green)
- (3) Setting pushbutton
- (4) Reception
- (5) Transmission

---

## Connections and Schema

---

### Pre-cabled

(-) : BU (Blue)

(+) : BN (Brown)

OUT/Output : BK (Black)