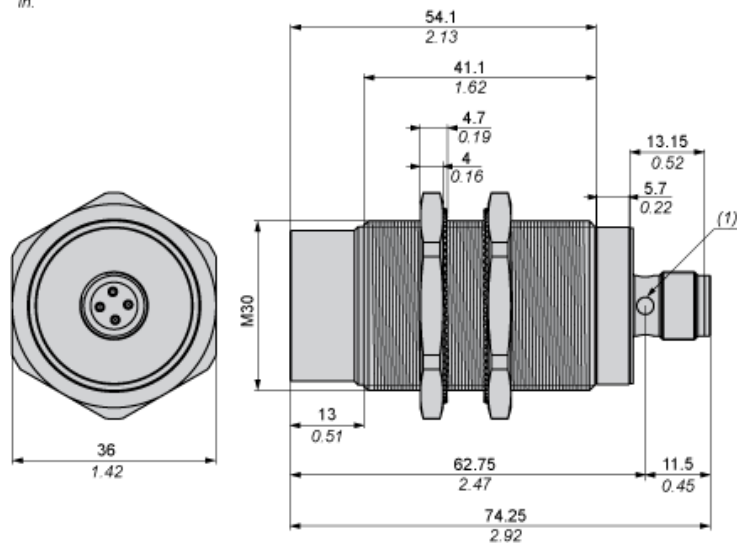


Dimensions

mm  
in.



(1) LED

---

Minimum Mounting Distances in mm

---

Side by side



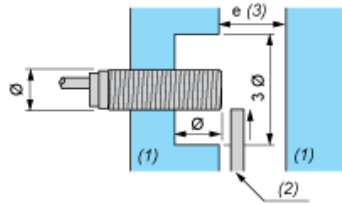
$e (1) \geq 120 \text{ mm}/4.72 \text{ in.}$

Face to face



$e (2) \geq 264 \text{ mm}/10.39 \text{ in.}$

Facing a metal object



$e (3) \geq 66 \text{ mm}/2.60 \text{ in.}$

(4) Metal

(5) Object to be detected