

Miniature PCB Relay SDT

- 10A contact rating
- UL TV-5 rating
- 1 form A contact arrangement
- Flux proof, wash tight version available



Typical applications
Appliances, HVAC, cable TV, monitor, emergency lighting



Approvals

UL E58304, TUV R50137358, CQC03001002917
Technical data of approved types on request

Contact Data

| | |
|-------------------------------|---|
| Contact arrangement | 1 Form A (NO) |
| Rated voltage | 250VAC, 24VDC |
| Max. switching voltage | 250VAC, 24VDC |
| Rated current | 10A |
| Contact material | AgSnOInO |
| Min. recommended contact load | 100mA at 5VDC |
| Frequency of operation | 800 ops./h |
| Operate/release time max. | 15/8ms |
| Electrical endurance | 10A 250VAC/24VDC resistive, -30°C to +60°C 100x10 ³ ops. TV-5 120VAC, 25x10 ³ ops. |
| Mechanical endurance, DC coil | 10x10 ⁶ operations |

Coil Data

| | |
|-------------------------------------|------------|
| Coil voltage range | 3 to 48VDC |
| Operative range, IEC 61810 | 1 |
| Coil insulation system according UL | Class E |

Coil Data (continued)

Coil versions, DC coil, D type

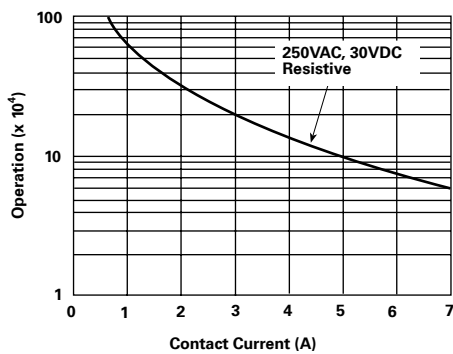
| Coil code | Rated voltage VDC | Operate voltage VDC | Release voltage VDC | Coil resistance Ω±10% | Rated coil power mW |
|-----------|-------------------|---------------------|---------------------|-----------------------|---------------------|
| 003 | 3 | 2.25 | 0.30 | 16.7 | 540 |
| 005 | 5 | 3.75 | 0.50 | 46.3 | 540 |
| 006 | 6 | 4.50 | 0.60 | 66.7 | 540 |
| 009 | 9 | 6.75 | 0.90 | 150 | 540 |
| 012 | 12 | 9.00 | 1.20 | 267 | 540 |
| 018 | 18 | 13.50 | 1.80 | 600 | 540 |
| 024 | 24 | 18.00 | 2.40 | 1067 | 540 |
| 048 | 48 | 36.00 | 4.80 | 4267 | 540 |

All figures are given for coil without pre-energization, at ambient temperature +23°C

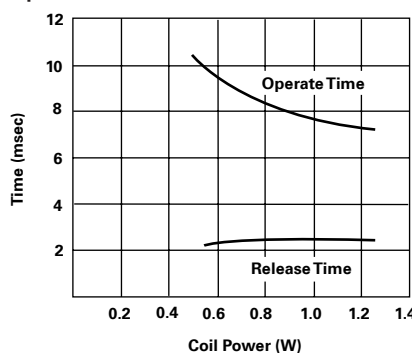
Insulation Data

| | |
|-----------------------------|----------------------|
| Initial dielectric strength | |
| between open contacts | 900V _{rms} |
| between contact and coil | 4000V _{rms} |
| Clearance/creepage | |
| between contact and coil | >1.6/3.2mm |

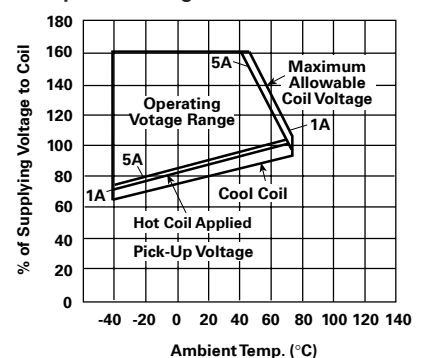
Electrical endurance



Operate time



Coil operative range



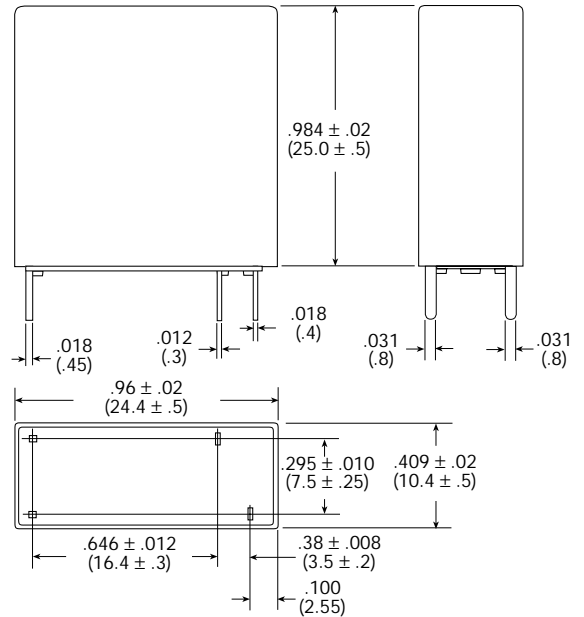
Miniature PCB Relay SDT (Continued)

Other Data

Material compliance: EU RoHS/ELV, China RoHS, REACH, Halogen content refer to the Product Compliance Support Center at www.te.com/customersupport/rohssupportcenter

| | |
|--------------------------------------|---|
| Ambient temperature | -30°C to +60°C |
| Category of environmental protection | IEC 61810 |
| | RTII - flux proof, RTIII - wash tight |
| Shock resistance (functional) | 10g |
| Shock resistance (destructive) | 100g |
| Weight | 11g |
| Resistance to soldering heat THT | IEC 60068-2-20 |
| | RTII: 270°C/10s RTIII: 260°C/5s |
| Packaging/unit | tube/25 pcs., carton box/1000 pcs. tray/100 pcs., carton box/1000 pcs. |

Dimensions



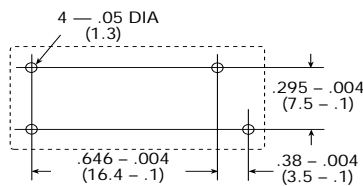
Terminal assignment

Bottom view on solder pins



PCB layout

Bottom view on solder pins



Product code structure

Typical product code **SDT -SS -1 12 D M ,000**

Basic type

SDT Miniature PCB Relay SDT

Enclosure

SS Flux proof, vented plastic cover
SH Wash tight, sealed plastic cover

Number of poles

1 1 pole

Coil voltage

Coil code: please refer to coil versions table (e.g. 05=5VDC)

Coil input

D Standard

Contact arrangement

M 1 form A (NO) contact

Suffix

,000 Standard

Other types on request

| Product code | Enclosure | Coil voltage | Coil input | Arrangement | Suffix | Part number |
|------------------|------------|--------------|------------|---------------|----------|-------------|
| SDT-SH-112DM,000 | Wash tight | 12VDC | Standard | 1 form A (NO) | Standard | 1419126-5 |
| SDT-SH-124DM,000 | | 24VDC | | | | 1-1419126-0 |
| SDT-SS-105DM,000 | Flux proof | 5VDC | | | | 1-1419126-2 |
| SDT-SS-109DM,000 | | 9VDC | | | | 1-1419126-5 |
| SDT-SS-112DM,000 | | 12VDC | | | | 1-1419126-8 |
| SDT-SS-124DM,000 | | 24VDC | | | | 2-1419126-5 |