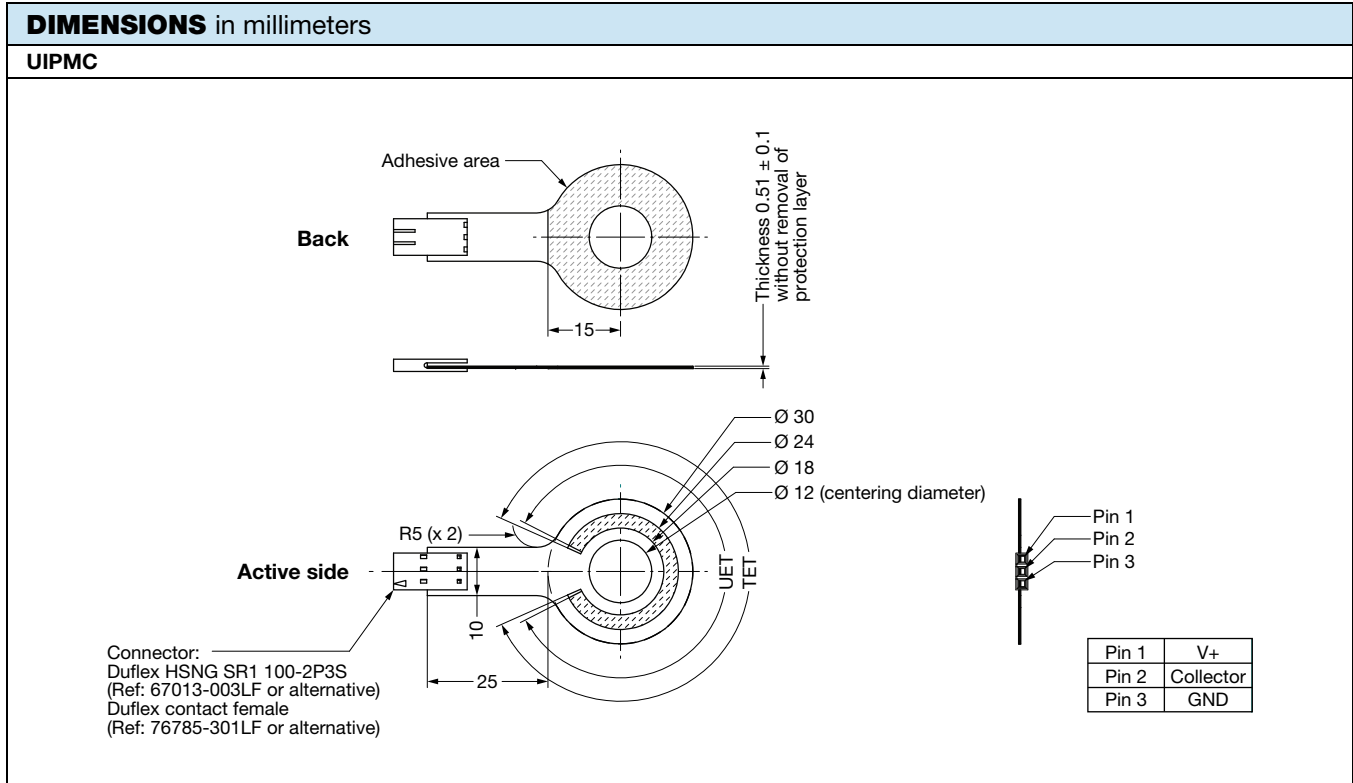
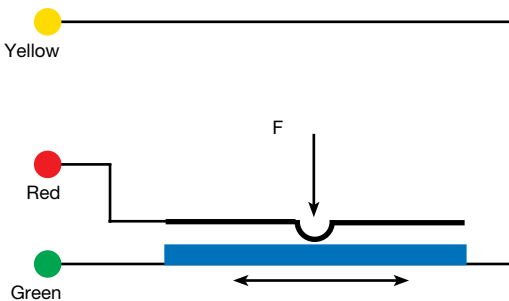


**MOUNTING REQUIREMENTS FOR UIPMA**

1. The shape of the customer interface over the active area shall be: 0.05
2. The roughness of the customer interface over the active area shall be:  $\sqrt{Ra}$  1.6
3. Before sticking the sensor, the interface surface shall be free of all traces of dirt, grease, foreign objects, and burrs.
4. The bending of the flat flex cable shall be:  $\varnothing$  3 mm min.



**ELECTRICAL DIAGRAM**



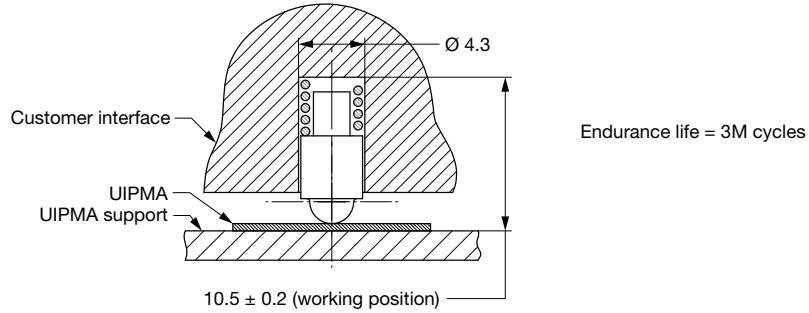
The voltage varies according to the position of the presser on the deformable membrane.

**SPECIFIC VERSIONS** (on request)

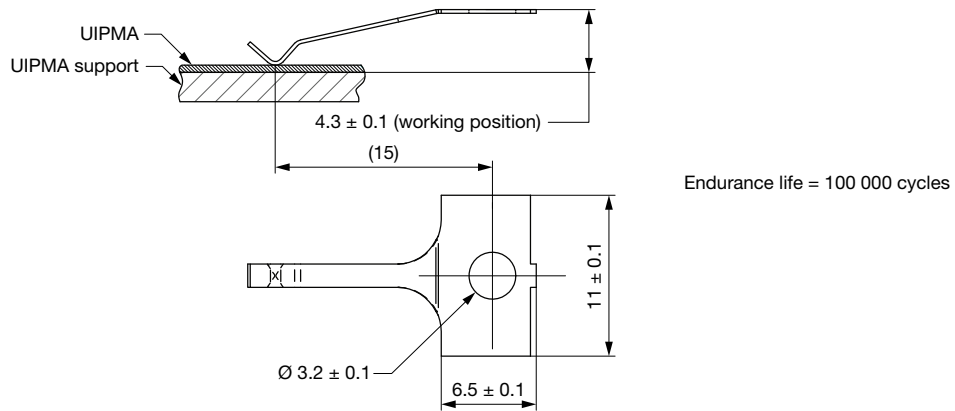
- Other electrical or mechanical characteristics
- Other bases
- Integration in equipment
- Other versions: outdoor design, ...
- Integration in equipment (flat flex cable, contacts, wires, ...)

**PRESSERS**

**Wiper Type A**



**Wiper Type B**



**Wiper Type D**

